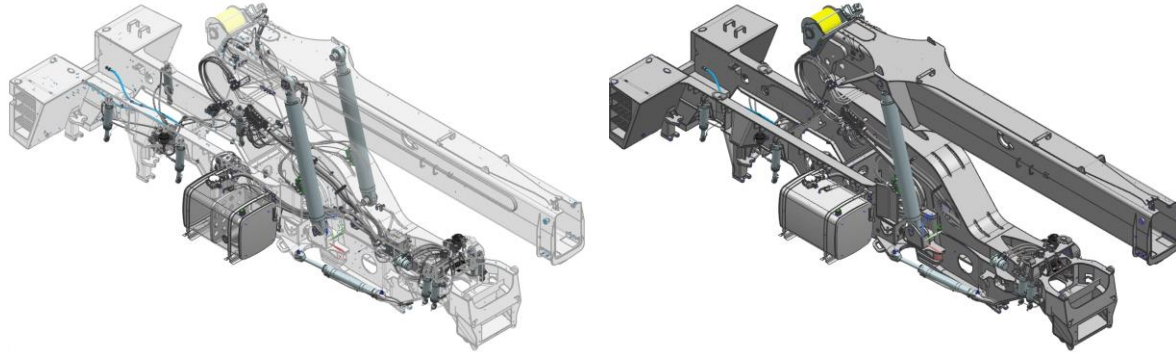


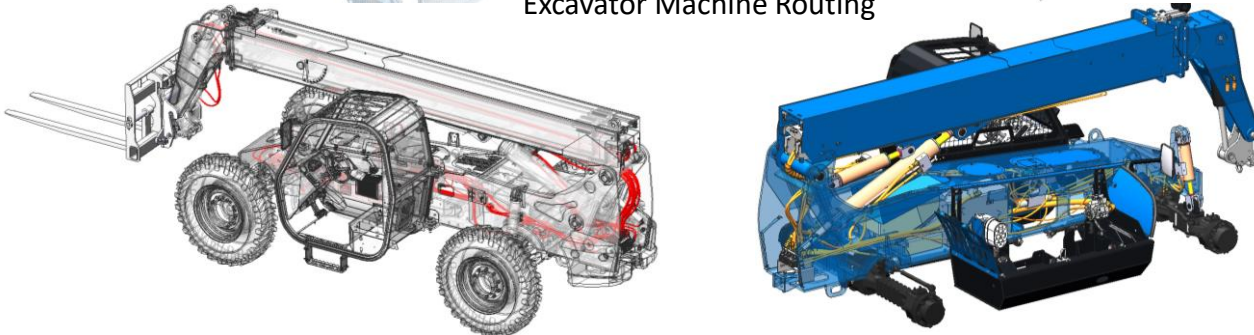
Hydraulic Routing



Pick & Carry Crane Machine Routing



Excavator Machine Routing

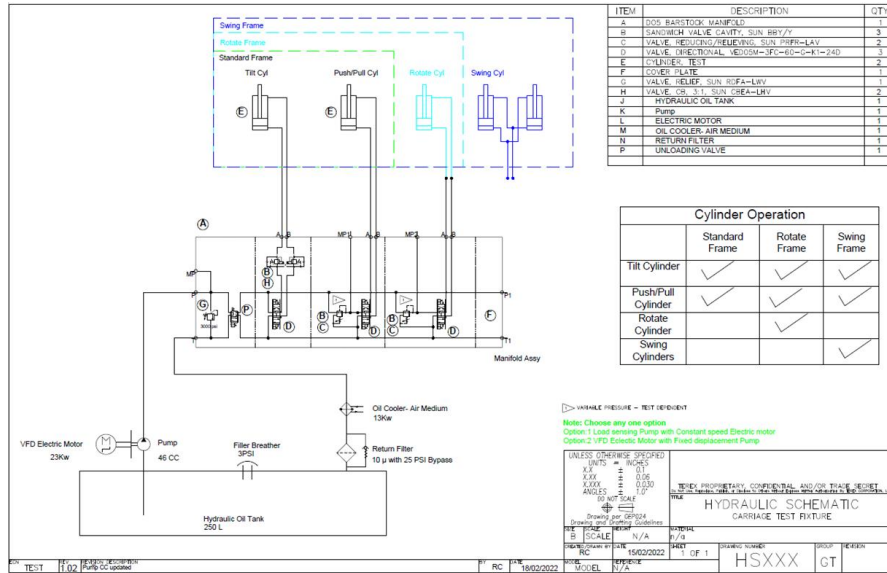


Telehandler Machine Routing

Routing

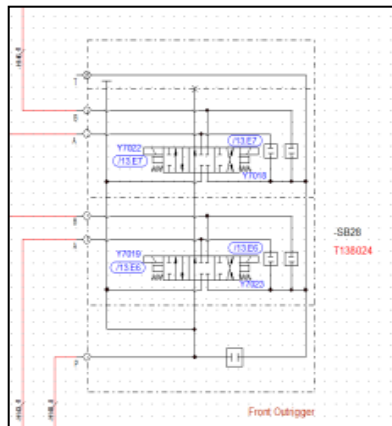
- Complete machine routing
 - Hydraulic hose routing
 - Fuel hose routing
 - Grease hose routing
 - Pneumatic hose routing
- Sizing of hoses & adapter selection
- Installation drawing creation
- Optimize the hose routing path
- Routing helps reduce the product development time
- Routing model helps in interference analysis
- Bracket & Clamp location finalization
- Software Proficiency:
 - Unigraphics NX
 - Solidworks
 - ProE/ Creo

Hydraulic Schematic

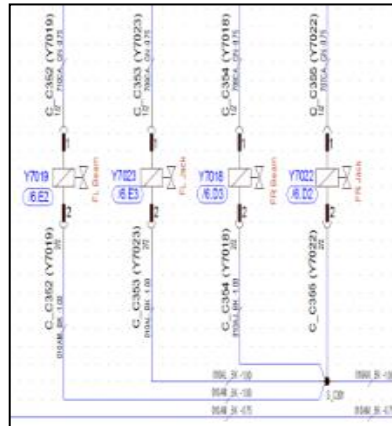


Schematic

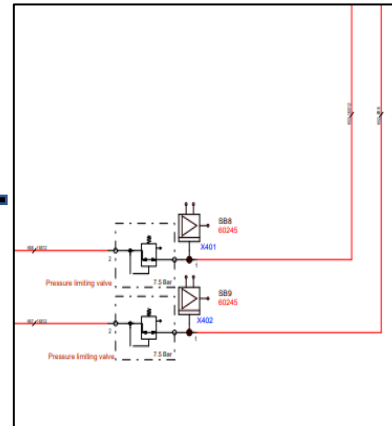
- Complete schematic design
- AutoCAD to E3 schematic conversion
- Integration of Electrical, hydraulic & pneumatic schematics for easy diagnosis
- Create hose maps for assembly purpose
- E3 software has smarter revision control over AutoCAD
 - Also helps in automated BOM generation



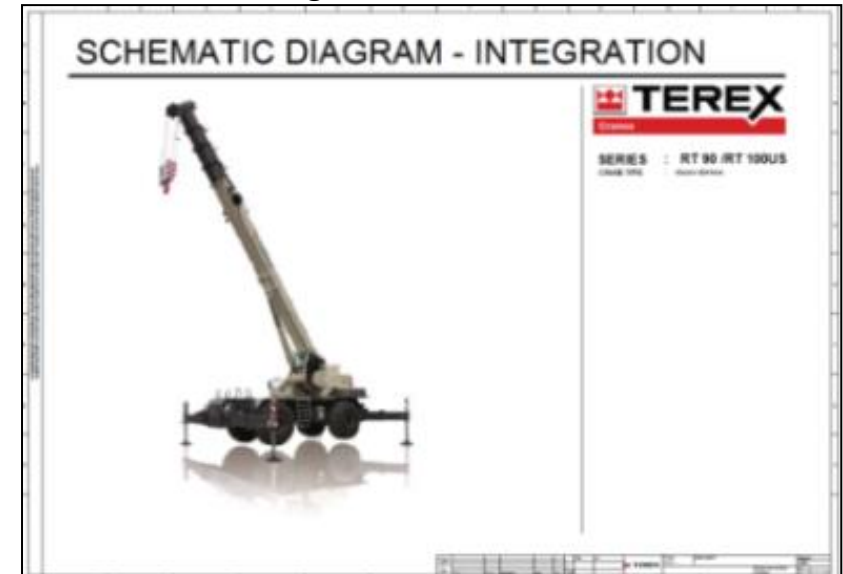
Hydraulic Schematic



Electrical Schematic



Pneumatic Schematic



Integrated Schematic