



# TEREX

# TG150

## Motor Grader

<b>MAX. GROSS VEHICLE WEIGHT</b>	31,967 lbs (14,500 kg)
<b>GROSS ENGINE POWER</b>	163 hp (120 kW)
<b>MOLDBOARD WIDTH</b>	12' 0" (3,660 mm)



# MOTOR GRADER TG150

### Specifications

#### Engine

Make/model	Cummins/diesel engine
Type	4 cycle, direct injection, turbo charged, water-cooled
Rated net horsepower at 2,200 rpm (ISO/TR 14396)	163 hp (120 kW)
No. of cylinders	In-line 6
Bore and stroke	4 x 5 in (100 x 127 mm)
Displacement	366 cu in (6 L)
Engine equipped with a dual element, dry-type air cleaner with dust ejector. 24 volt starting and electrical system. 55 amp alternator and 24 volt starter with 8.7 hp (6.5 kW).	

#### Operating Weight

Total weight	approx. 31,967 lbs (14,500 kg)
On rear wheels	approx. 22,487 lbs (10,200 kg)
On front wheels	approx. 9,480 lbs (4,300 kg)

Weights shown include cab, all operating fluids, 4-teeth rear ripper, front dozer blade.

#### All Wheel Drive System

6 speed auto power shift transmission with torque converter, hydrostatic drive on front axle when equipped with AWD. Power train is controlled appropriate to tire traction.

#### Operator's Cab

Integrated ROPS/FOPS cab mounted on isolators to limit vibration and noise entering the cab. Excellent all-round visibility. Roomy and comfortable. Adjustable steering pedestal with EURO/TEREX control lever arrangement. Interior of cab is fully lined and has a durable floor covering. Tinted safety glass, sliding doors on each side with lockable intermediate positions. Fresh air heating with pre-filter and air circulation. Adjustable hydraulically sprung drivers seat with seat belt. One inside mirror and two folding outside mirrors. Blinds front and rear. Front window washer and window wipers front and rear.

## Specifications

### Rear Axle Drive System

6 speed auto power shift transmission with torque converter, hydrostatic drive on front axle when equipped with AWD.

Speed	Forward						Reverse		
	1	2	3	4	5	6	1	2	3
Gear	1	2	3	4	5	6	1	2	3
mph	2.7	4.2	6.8	10.7	15.5	24.9	2.8	6.8	15.5
km/h	4.3	6.7	11	17.2	25	40	4.3	11	25

### Rear Axle

Oscillating tandem axle with axle insert

No-Spin differential

Multi-disc brakes in all four wheel hubs

Parking brake mechanical operated, acting on power shift

### Tandems

Drive via roller chains

Torsion-proof box section

Height 20 in (510 mm)

Width 7 in (177 mm)

Thickness of walls 0.6 in (16 mm)

Wheel base 5 ft 1 in (1,555 mm)

Oscillation  $\pm 15^\circ$

Ground Clearance 18.6 in (474 mm)

### Front Axle

#### 3 types are available:

Oscillation 15° up and down

Steering angle 45°

#### Non driven with wheel lean (T-version)

Stable welded steel beam with wheel lean

Wheel lean  $\pm 17^\circ$

Ground clearance 21.5 in (546 mm)

#### Driven without wheel lean (TA-version1)

Stable tractor-based axle with axial piston engine (concentric on axle protected), pulling power on surface conditions electronically adjustable (infinitely variable).

Differential, self locking 45%

Ground clearance 18.3 in (465 mm)

#### Driven with wheel lean (TA-version 2)

Stable welded steel beam with wheel lean and radial piston engines in wheel hubs, pulling power on surface conditions. Electronically adjustable (infinitely variable), possibility to fit in the hydraulic differential lock.

Wheel lean  $\pm 17^\circ$

Ground clearance 21.5 in (546 mm)

### Brakes

**Service brake:** Dual circuit, power-assisted, multiple-disc, oil-bath type, effective on four wheels, includes power and operator warning system.

**Parking brake:** Independent hand operated, acting on power shift.

### Tires and Wheels

Tires 13.00 -24 TG SGG-2A Goodyear

Rims 10.00 x 24 DC

### Steering

Hydrostatic power steering

Minimum turning radius with dozer blade 25 ft 1 in (7,650 mm)

Minimum turning radius without dozer blade 22 ft 7 in (6,900 mm)

Steering angle 45°

### Frame

Front and rear frame sections connected with an adjustment-free articulated pin.

**Front:** Fully welded box section

Minimum dimensions of box section 10.6 x 10.6 in (270 x 270 mm)

Plate thickness 0.78 in (20 mm)

**Rear:** Fully welded section

Dimensions (solid main bars) 9.8 x 3.1 in (250 x 80 mm)

Hydraulic articulated frame steering (left & right) 30°

### Circle

Hardened teeth, flame-cut on inside of circle for maximum strength and minimum wear. The circle is held positively in place at four points by four clamps and guide shoes. The clamp and guide shoes are located where greatest loading occurs.

Diameter 4 ft 5 in (1,348 mm)

Thickness 1.6 in (40 mm)

Height 3.7 in (95 mm)

Adjustable guide shoes and clamps

### Circle Drive

Hydraulically driven worm gear transmission. Circle drive system fully protected against impact damage by an overload clutch.

### Drawbar

Y-shaped fully welded construction

Dimensions (solid sections) 1.2 x 6.9 in (30 x 175 mm)

### Moldboard (standard)

Moldboard 12 ft x 18.9 x 0.79 in (3,660 x 580 x 20 mm)

Blade material High carbon steel

Blade pull (at a friction factor of 0.8)

TG150 T-3 17,994 lbf (80.04 kN)

TG150 TA-3 25,681 lbf (113.79 kN)

## Specifications

Blade Range	
Reach outside tires without articulation (RH&LH) blade resting on leveled surface	7 ft 8 in / 5 ft 6 in (2,350 / 1,670 mm)
Reach outside tires with articulation (RH&LH) blade resting on leveled surface	10 ft 5 in / 8 ft 3 in (3,180 / 2,500 mm)
Blade side shift	4 ft 1 in (1,250 mm)
Blade tilt range	38° to 78°
Bank sloping angle (RH&LH)	90°
Lift above ground	18.9 in (480 mm)
Cut above ground	17.7 in (450 mm)
Distance blade/front axle	7 ft 3 in (2,204 mm)
All blade movements and positions can be controlled from the operator's seat.	

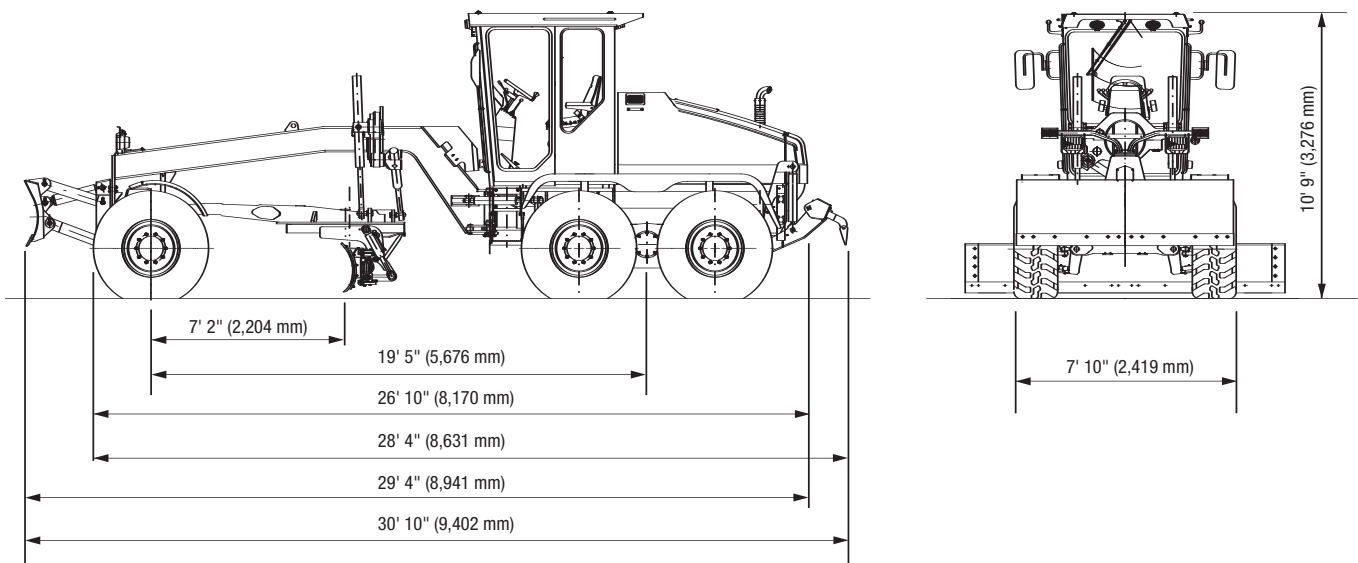
Operator's Platform	
Width	3 ft 8 in (1,150 mm)
Depth	4 ft 7 in (1,400 mm)
Available with various options as listed under "Optional equipment", moldboard control acc. to EURO-standard.	

Light Equipment	
2 headlights front, 2 direction indicator lights each (including warning signal flasher) front and rear and additional 2 at cab, 2 tail lights. 2 stop lights, 1 back-up light, clearance lights, 2 working lights rear, two working lights front each at lower and upper edge of cab.	

Load-Sensing Hydraulics	
The control valves of the working hydraulics may be actuated at a time and independent of each other. The load-sensing pump (axial piston pump) discharges only the required amount of oil, if a control valve is actuated. When hydraulic power is not required, system pressure is only 348 psi (24 bar) and this low standby pressure improves fuel-efficiency and reduces heat generation.	
Operating pressure	2,669 psi (184 bar)
Oil flow, maximum	26.1 gpm (99 Lpm)

Service Capacities	
Fuel tank	81.9 gal (310 L)
Hydraulic oil tank	39.6 gal (150 L)
Engine crankcase (with filters)	4.2 gal (16 L)
Ergopower transmission	4.75 gal (18 L)
Axle drive front (TG150 TA-3)	2.6 gal (10 L)
Axle drive rear	3.9 gal (15 L)
Planetary gears front (TG150 TA-3)	0.8 gal (3 L)
Planetary gears and brakes	3.7 gal (14 L)
Tandem case 2 x 5.3 gal (2 x 20 L)	10.6 gal (40 L)
Circle drive	1.6 gal (6 L)
Coolant	11.9 gal (45 L)

## Dimensions



# Motor Grader TG150

## Optional Equipment

<b>Cab</b>	
Air-conditioned cab	
Auxiliary heating	
Beacon (orange)	
Air-cushioned driver's seat	
Recording speedometer	
Cooling box	
Stereo radio with cassette	
Sliding side windows	
Protective grids for lights and cabin	
<b>Circle Drawbar</b>	
Hardened teeth, machine-cut on inside of circle for maximum strength and minimum wear. The circle is held positively in place by an adjustment-free roller bearing. Drawbar fully welded solid section in "Y" design.	
Circle diameter	4 ft 5 in (1,348 mm)
Tool width	3 in (78 mm)
Height	5.1 in (130 mm)
<b>Moldboard</b>	
	11 ft x 22.8 in x 0.79 in (3,355 x 580 x 20 mm)
	8 ft 1 in x 22.8 in x 0.79 in (2,490 x 580 x 20 mm)
Cover plate for upper guide rail of moldboard	
Adjustable moldboard corner shoe, left hand and right hand	
Moldboard extension, left or right	12 in (305 mm)
Float position for both moldboard lift cylinders	
Electric fuel pump with automatic switch-off	
Towing device, tiltable	

<b>Wheels and tires</b>		<b>Rim size</b>
Trelleborg 550 / 60 - 22.5 12 PR T404		16.00 x 22.5
16/70-24 E91-2 Dunlop TL		13.00 x 24
405/70 R24 SPT9 Dunlop TL		13.00 x 24
455/70 R24 SPT9 Dunlop TL		13.00 x 24
15.5 R 25 XTLA Michelin		13.00 x 24
Other types on request.		
<b>Rear ripper with depth penetration indicator</b>		4 teeth
Width	6 ft 11 in (2,120 mm)	
Ripping depth	11.3 in (285 mm)	
Lift above ground	22.8 in (580 mm)	
Weight	1,151 lbs (522 kg)	
<b>Scarifier, between front axle and moldboard with depth penetration indicator</b>		11 teeth
Width	4 ft 7 in (1,400 mm)	
Ripping depth	9.8 in (250 mm)	
Lift above ground	16.1 in (410 mm)	
Weight	2,028 lbs (920 kg)	
<b>Front dozer blade with position indicator</b>		
Width	8 ft 2 in x 28.7 in ( 2,490 x 730 mm)	
Ripping depth	11.3 in (285 mm)	
Lift above ground	22.8 in (580 mm)	
Weight	1,151 lbs (522 kg)	
Front dozer, articulated		
Front dozer, removable		
Front ballast instead of dozer blade	838 lbs (380 kg)	
Mudguards on rear wheels		
Mudguards on front wheels		
Articulation angle indicator		
Special paint		
Tool kit, wheel chocks, warning triangle, fire extinguisher etc.		
Automatic blade control		
Various automatic laser or ultrasonic controlled blade systems		



### TEREX Construction Americas

8800 Rostin Road  
Southaven, MS 38671  
USA

TEL 662-393-1800  
SALES 866-837-3923  
PARTS & TECH SUPPORT 888-201-6008  
FAX 662-393-1700  
EMAIL sales@terexca.com  
WEB terexca.com

For more information, product demonstration, or details on purchase, lease and rental plans, please contact your local TEREX Distributor.

Effective date: October 1, 2005. For further information, please contact your local distributor or the TEREX sales office listed. Product specifications are subject to change without notice or obligation. The photographs and drawings in this brochure are for illustrative purposes only. Refer to the appropriate Operator's Manual for instructions on the proper use of this equipment. Failure to follow the appropriate Operator's Manual when using our equipment or to otherwise act irresponsibly may result in serious injury or death. Prices and specifications subject to change without notice. The only warranty applicable is the standard written warranty applicable to the particular product and sale. TEREX makes no other warranty, expressed or implied. Products and services listed may be trademarks, service marks or trade-names of TEREX Corporation and/or its subsidiaries in the USA and other countries and all rights are reserved. "TEREX" is a Registered Trademark of TEREX Corporation in the USA and many other countries. Copyright ©2006 TEREX Corporation