

# CSE SERIES SIMPLY NEW

**CSE 32**  
**CSE 30**



# Discover the latest CSE series: the new Self Erecting Tower Cranes with top class performances and flexibility.

## EASY SETUP

Electronically controlled  
fast crane setup

## POWER IN YOUR HANDS

Lifting capacity up to 4,40 t  
Capacity at max length up to 1,15 t / 1,30 t  
Lifting speed up to 56 m/min

## DURABLE AND SAFE

Hot dip galvanized boxed tower  
to prevent corrosion from inside

## FLEXIBLE DESIGN

Three raising configurations  
Foldable jib sections  
II & IV falls with quick configuration change

## EASY TO HANDLE: SMALL FOOTPRINT

Ballast radius 2,25 m  
Easily removable base ballast  
Ballast options

## TEREX POWER PLUS (TPP) FUNCTION

Boost operating capacity  
by an extra 10% when needed

## ELECTRONIC CONTROL

Touch screen display  
Radio and cable control options

## ADVANCED CONTROL OPTIONS

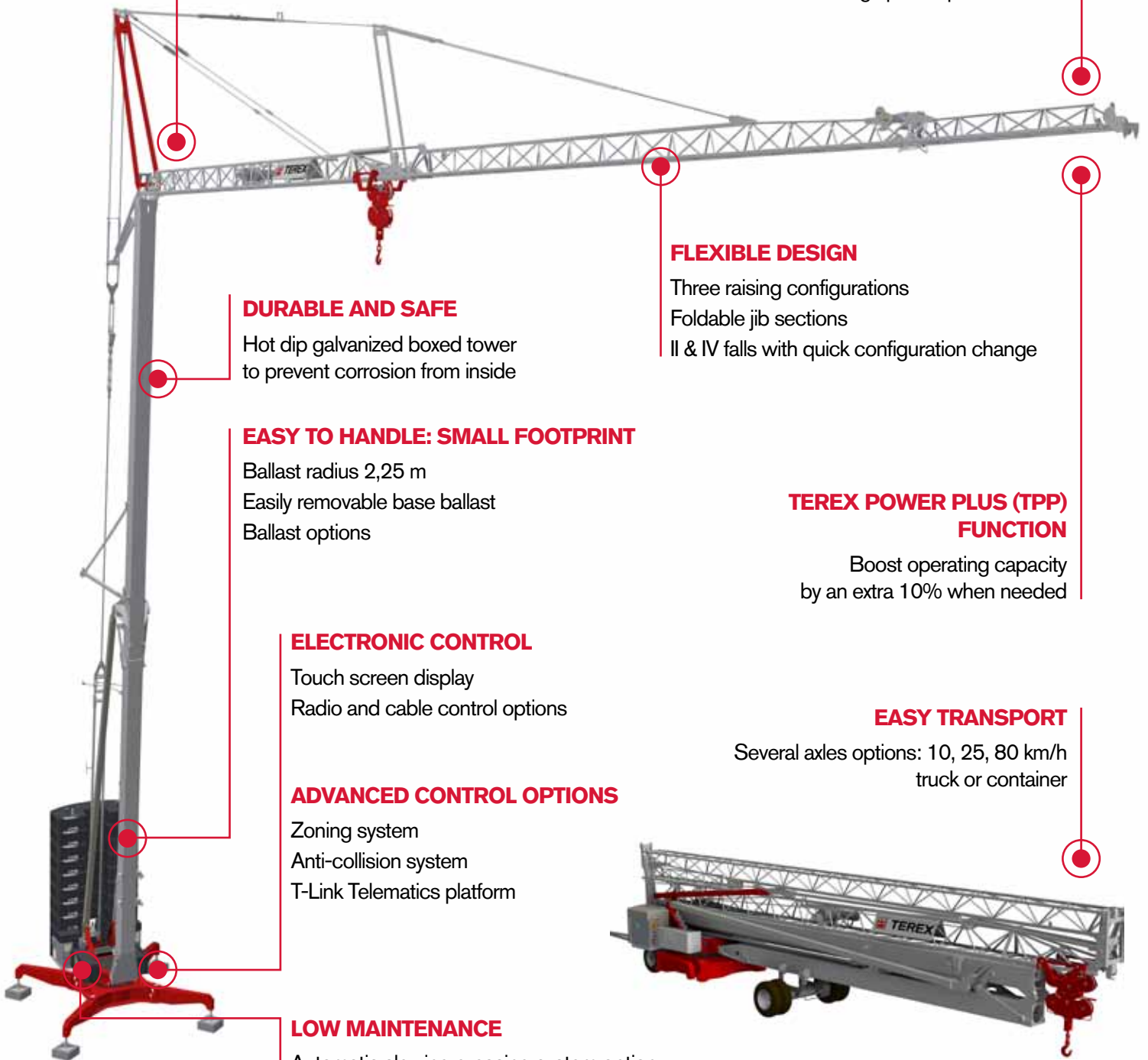
Zoning system  
Anti-collision system  
T-Link Telematics platform

## EASY TRANSPORT

Several axles options: 10, 25, 80 km/h  
truck or container

## LOW MAINTENANCE

Automatic slewing greasing system option



---

## INTELLIGENT ELECTRONIC CONTROL

The fully electronic control with touch screen display provides precise control over crane operation for extremely precise load handling, improvement of crane performances and enhancing of safety levels.

Thanks to its electronic sensors, the control provides instant operating data during operation, such as the precise trolley position and the carried load, and reports alarms ensuring safety systems to all crane functions.

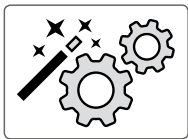
- ▶ Large 7" display with anti-glare
- ▶ IP66 certified and protected by flap
- ▶ Suitable for use with gloves



---

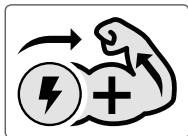
## A WIDE NUMBER OF ADVANCED CONTROL FUNCTIONS IN YOUR HANDS

The advanced control enables the crane to move quickly and precisely to ensure efficient and accurate load handling, as well as improving the overall activities on jobsite.



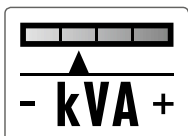
Easy setup

With **Easy Setup** the crane setup is electronically performed, for a more precise setting and a dramatic reduction of installation time at the jobsite.



Terex Power Plus

With **Terex Power Plus (TPP)** function the operating capacity can be temporarily boosted by an extra 10% when needed. Do you need to carry your load a little forward, or do you have to lift a slightly heavier load? The TPP function simplifies your daily operations at the jobsite.



Terex Power Match

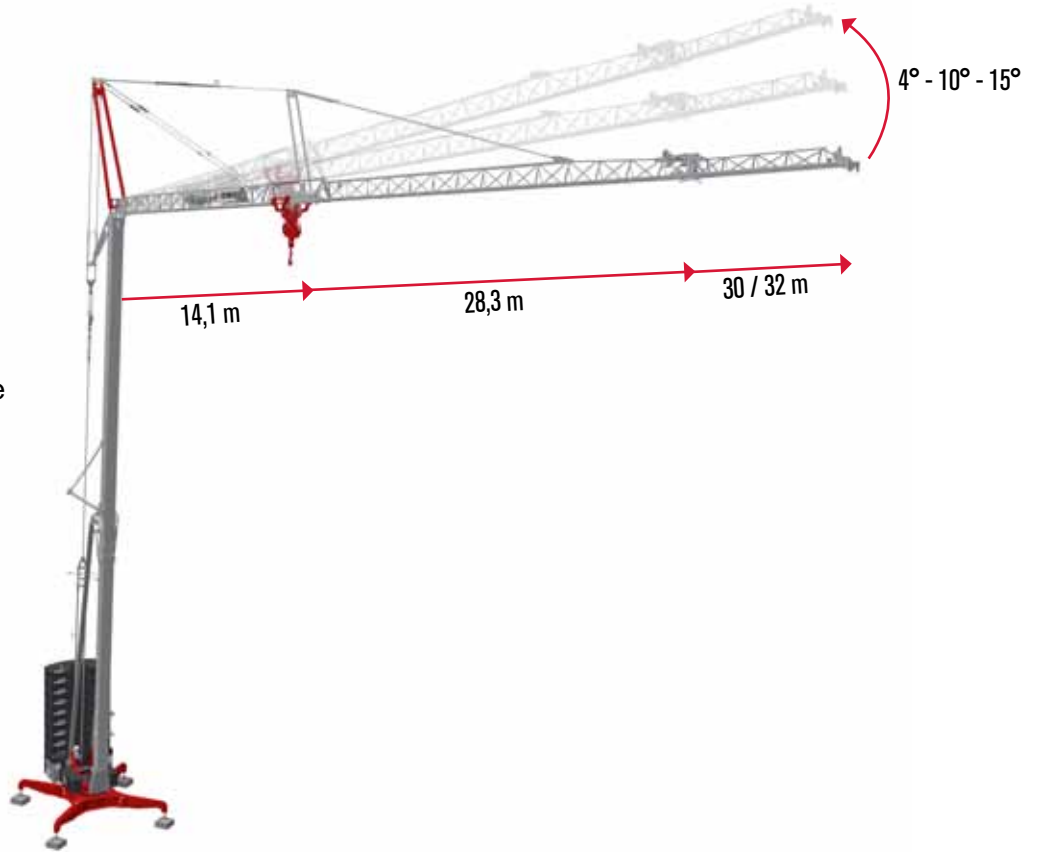
**Terex Power Match (TPM)** function lowers the energy consumption at the jobsite to give you both significant savings on costs and to respond to any possible limits in the available electric power. CSE cranes can also be remotely operated through the optional cable remote control or radio remote control also with TFT color, LED backlight, touch screen display.



---

## FLEXIBLE DESIGN

- ▶ Three raising configurations: 4° - 10° - 15°
- ▶ Foldable jib sections
- ▶ The crane operates both with II & IV falls with an easy and quick configuration change



---

## Compact & easy to handle

Thanks to the new design of base ballast, electrical boards and motors cover, the crane is easier to handle, more compact and daily operations on jobsite are simplified.

---

## Reduced ballast radius

- ▶ 2,25 m radius: best fitting on space constrained sites
- ▶ Ballast options (13 x 1.230 kg / 8 x 2.000 kg)



---

## Easier transport and maneuverability

The built-in electrical board is easily and quickly detachable from base ballast, that can be totally removed to lower the weight of main unit and ease transport and positioning onsite.

---

## Simple daily operations

- ▶ Walkable motors cover with metal antislip plate
- ▶ Easily accessible brake release
- ▶ Low maintenance: automatic slewing greasing system option







## ADVANCED CONTROL OPTIONS

The crane can be further equipped with **Anti-Collision** and **Zoning systems** and **T-Link Telematics Platform**.

With **Zoning system** you can exclude from crane swing area dedicated zones for example to avoid buildings, trees, electricity cables, or areas with forbidden overflying. On multiple cranes jobsites, with **Anti-Collision system** the movements of all the cranes are coordinated to ensure optimal productivity with full safety.

**T-Link Telematics** allows to remotely access fleet operating data anytime, anywhere via an Internet connection to optimize efficiency and reduce costs. A wide range of real-time data and a variety of fault-codes are reported to assess fleet performance.

## THE RANGE

	CSE 32	CSE 30
Jib length	32 m	30 m
Hook height max	27,5 m	27,1 m
Capacity max	4,40 t	4,40 t
Tip load max	1,05 t	1,20 t
Tip load max with TPP function	1,15 t	1,30 t
Hoist speed max	56 m/min	52 m/min



**Telematics platform**

## TEREX CRANES

### Tower Cranes

Via delle Innovazioni, 17  
33074 Fontanafredda (PN)  
Italy

Ph: +39 0434 989111  
Email: [mktg.cranes@terex.com](mailto:mktg.cranes@terex.com)

### Rough Terrain Cranes

Via Cassoletta, 76 - Fraz. Crespellano  
40053 Valsamoggia (BO)  
Italy

Ph: +39 051 6501011  
Email: [mktg.cranes@terex.com](mailto:mktg.cranes@terex.com)



[www.terex.com/cranes](http://www.terex.com/cranes)

Brochure Reference: TC-BR-M-E-CSE RANGE-10/20

**WORKS FOR YOU.™**