



Magnum Force Series

Horizontal Hog

8400



European Chassis Shown

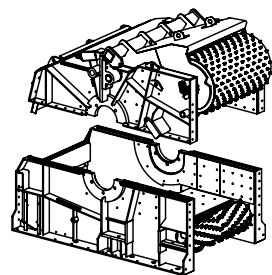
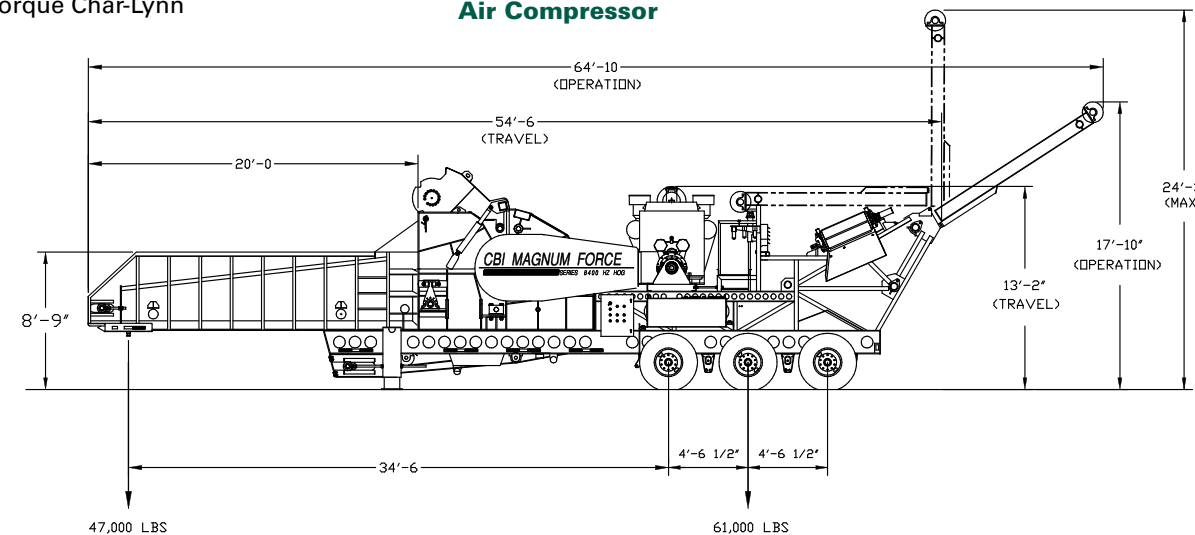
Specifications

Overall	
Length	54' 6" travel, 64' 10" operation
Height	13' 2"
Width	10' 10"
Weight	94,000–108,000 pounds
Top Feed Roll	
Motor	High-torque Poclairn
Bottom Feed Roll	
Motor	High-torque Brevini planetary with Char-Lynn hydraulic motor
Feed Conveyor	
	440 belt or chain
Length	16' standard; 20' optional
Width	60"
Motor	High-torque Brevini planetary with Char-Lynn hydraulic motor
Discharge Conveyor	
Length	50' 0"
Width	60"
Discharge height	17'
Motor	High-torque Char-Lynn

Throughput	up to 200 tons/hour
Power	
Engine	
Standard:	CAT C-27, 1050 hp; PT Tech HPTO 15 clutch
Option:	CAT C-32, 1200 hp; PT Tech HPTO 21 clutch
Drive	V-belt complete; 12-14-groove, 8-V banded belts with guard
Flexxaire® Fan	Reversing pitch radiator fan that reverses airflow every 5-15 minutes automatically (adjustable)
Fuel Tank	
	360 gallons
Electrical	
	IQAN™ PLC and radio remote control for all functions; full, independent mechanical backup; IntelliGrind proportional feed system

Options

- Magnetic Head Pulley
- Overband Magnet
- Metal Detection System
- Air Compressor



Optional **Split Hog Box** allows operators to switch between chipper and grinding rotors in less than a day — the ULTIMATE in versatility.

Features

- Lowest operating cost: <\$1.00/ton
- Highest throughput: up to 200 tons/hour
- Choice of four interchangeable grinder and chipper rotors
- Heavy-duty, quality construction
- CBI IntelliGrind™ control system
- Choice of 2 CAT engines, C-27, 1050 hp or C-32, 1200 hp
- Full radio remote control
- Built-in pre-screener for bypass of abrasive fines

Description

The Magnum Force Series 8400 Horizontal Hog is the undisputed world champion of extreme duty portable grinders. Our exceptionally heavy-duty grinding chamber, bolted to a strong yet light chassis, features four optional (application-specific) rotor packages. The 8400 delivers the rugged durability needed for processing metal and aggregate contaminated waste—such as railroad ties, C&D waste, stumps, logs, yard waste, etc.—all adding up to the most productive and flexible portable grinder/chipper ever made. As with all CBI products, every feature and component is designed for the longest wear life, easiest maintenance, and lowest cost of operation available.

Trailer Frame

The trailer frame features a wide flange and tubular lattice structure for high rigidity and strength while greatly reducing weight. The tri-axle features a Hutchens H9700 suspension and a 10' 6" tire spread. Six super-single wheels with Michelin 425-65R 22.5 tires provide a smooth, reliable ride, and good flotation on the job site; and, because debris can't be trapped—as often happens in the space between dual tires—there's significantly less chance of blowouts. Two front stabilizers with 5" cylinders provide the necessary stabilization and leveling flexibility for any site. A TÜV Certified European version is also available.

Feed Conveyor

The 16' x 60" wide feed conveyor constructed of Hardox AR450 plate has a fluted (funneling) high troughing design, which aids in continuous feed to the hog chamber. Its open-ended design and extra large capacity simplifies feeding full-length materials or large material surges. A dual, upper and lower feed roll system powered by two heavy-duty, high-torque motors provides continuous, positive feed for large, bulky materials such as whole trees, logs, telephone poles, stumps, or railroad ties. The upper roller crush force is adjustable by radio control. The entire feed system is load regulated.

Hog Chamber, Rotor, and Anvil

The hog chamber is a heavy-duty reinforced housing with 100% continuous welds, providing maximum corrosion resistance and the ultimate in rigidity and strength. Bolt-in Hardox 450 wear liners simplify maintenance. A choice of four application-specific, dynamically-balanced, downturn rotor designs is available:

The 50" diameter high-strength **forged drum rotor** with weld-on hammers and tips is designed for yard waste, brush, dimensional lumber, stumps and logs. Each of the 24 hammers is welded to the rotor core. Reversible tips are bolted to the hammer resulting in extremely rugged construction designed for long life and easy maintenance. CBI's Replace-A-Face™ hammer system allows the operator to swap out the face independent of the rest of the hammer for quick, easy and inexpensive repairs.

At 19,000 pounds, CBI's **solid steel, segmented rotor** is perfect for contaminated materials like C&D, railroad ties, telephone poles, and sawmill cleanup. The patented offset helix rotor design cuts from right-to-left and left-to-right at half the rpm of a conventional hammermill, resulting in far less wear and maintenance, and greater tolerance to rock, dirt, and metal. Bolt-on strikers add to the ease of maintenance.

The high-strength **chipper drums** are 50" in diameter, 60" long and have two or four rows of paired 30" knives. Unique design features include a shear pin protected chip breaking grate which guarantees uniform chip size with virtually no overs, and an adjustable, reversible anvil allowing the operator to customize chip size while assuring maximum service life.

All 8400 rotors operate at approximately 700 rpm for optimum throughput while providing the highest possible tolerance to different feed stock and reducing wear. Extra thick shear pin protected screens, grates, and anvil are long wearing and fabricated to avoid catastrophic

The World's Most Rugged Rotors...



SOLID STEEL

Twenty-four 6" x 8" striker plates held in place by two 1-1/4" bolts, designed specifically for contaminated demolition debris, RR ties, and MSW.



FORGED DRUM

3" thick, with twenty-four weld-on Replace-A-Face™ hammers with reversible tips for forestry debris and mulch manufacturing.



2-POCKET CHIPPER

Two rows of knives for average chip lengths of 3/4" to 1-1/4" to produce fuel chips from stem wood.



4-POCKET CHIPPER

Four rows of knives for short chip lengths of 1/16" to 1/2" to produce short chips from stem wood suitable for pelletizing or pulverized fuel, etc.



Continental Biomass Industries, Inc.

World's Best Stationary and Portable Material Recovery Systems
22 Whittier Street, Newton, NH 03858
Phone: 603-382-0556 Fax: 603-382-0557
Web: cbi-inc.com Email: info@cbi-inc.com

Distributed by:

The 8400 is built without a single compromise to be what other Grinders are not –

- **Dependable**
 - **Service Friendly**
 - **Durable**
 - **Productive**
 - **Flexible**
 - **Powerful**
- and a damn good investment!**

damage. The double-step anvil provides superior grinding action with two breaking surfaces and the heavily reinforced, linebored bearing housing is specially designed to absorb the shock and stresses of grinding contaminated material. A built-in screener allows abrasive fines to bypass the hog, further extending component wear life.

Discharge Conveyor

The single catenary discharge conveyor is 60" wide and features a 220, 2-ply cleated belt. It is driven by a direct-coupled hydraulic motor drive. There is no opportunity for material to bridge under the rotor, and with no transition point, spillage and cleanup is eliminated. With the optional crossbelt magnet, the extra width allows for system performance at maximum efficiency. The upper section of the conveyor is hydraulically folded for travel.

Power Unit

The 8400 is equipped with a Caterpillar C-27, 1050 hp diesel engine; an optional CAT C-32, 1200 hp engine is also available. The engine features electric start, is turbocharged and after-cooled. A PT Tech extra heavy-duty PTO hydraulic clutch provides the power take-off/drive to the rotor. Access to the engine from both sides simplifies maintenance. Additional features include an extra large AKG radiator for dusty operation, Flexxaire Auto-Reversible Fan, Donaldson Air Filtering System with Enginaire Pre-Cleaners, dual battery, 24-volt DC electrical system, emergency shutdown, and all-weather control enclosures.

Hydraulics/Paint/Misc.

Rexroth and Sauer hydrostatic closed-loop hydraulic pumps are used, which generate less heat and less component stress while prolonging equipment life. Single function fusing and wiring, with terminal blocks, is well-routed in harnessed cables, extending component life, simplifying maintenance and providing a better overall appearance. Each subassembly is sandblasted, epoxy primed and painted completely before final assembly, using CBI's extended life painting process resulting in enhanced corrosion resistance, better appearance, and better resale value.



Solid Steel Rotor with optional Brute Package and bolt-on strikers. Perfect for contaminated C&D, railroad ties, telephone poles, etc.



The 8400T– the biggest, toughest track grinder ever built.

Double-step anvil provides two breaking surfaces.

Extra-thick, shear pin protected screens and grates.

Top feed roll powered by high-torque Poclain internal drive. Bottom feed roll powered by high-torque Brevini planetary drive.

Upper feed roller crush force is adjustable by remote control.

Removable cover for access to screen, etc.

Flexxaire Reversible Fan (far side)

Wide discharge conveyor for high volume throughput.

Super single wheels feature Michelin tires, provide high on-site flotation and no trapped debris or blowouts.

IntelliGrind The Latest in Smart Grinding Technology

The IntelliGrind Variable Feed System automatically sets and adjusts feed speed and top feed-roll position based on engine load, maximizing throughput and performance no matter what the material being processed. IntelliGrind Modem Communication Systems use proven cellular technology*, connecting your unit to the CBI command center and allowing service technicians to provide real-time system diagnostics, performance measurement, operating program adjustments, instant analysis and response. Alerts are issued when engine oil or hydraulic

filters require changing and when high pressure, fluid temperatures, or low fluid levels create operating conditions that could cause potential damage. Added to this is the capability to make on-line changes to the system's operating program, allowing CBI to optimize your results in the field.

*Service not available in all areas. Speed and uninterrupted use of the service is not guaranteed.



Processes railroad ties, telephone poles, and other highly contaminated materials without missing a beat.

The ULTIMATE in DURABILITY...FLEXIBILITY...VERSATILITY

Versatility In the Field...



Logs & stumps to mulch or boiler fuel



Yard waste to compost



Construction wood to high-quality fuel



Railroad ties to hog fuel



C&D to alternative fuel



Pole wood to micro chips