

# PORT HANDLING

LET'S HANDLE IT!



**FUCHS**<sup>®</sup>  
PORT LINE



Fuchs has a wide range of material handlers that are powerful solutions for port handling.

Offering a variety of mobile, crawler and stationary undercarriage versions as well as various equipment combinations, attachments and quick coupling systems, Fuchs material handlers can be tailored for almost any application.



**ATTACHMENTS AND LOADING EQUIPMENT**

- Dipperstick for cactus or clamshell grab
- Banana boom for extended reach over ship wall
- Pipe rupture valves with regeneration function as standard
- Optimally arranged hydraulic pipes and hoses

**UPPERCARRIAGE**

- Separated cooling system for engine, hydraulic oil and AC condenser
- Demand driven, temperature-dependent fan drives
- Well tuned 2-circuit hydraulics ensure fast, precise and powerful work cycles and maximum handling performance
- Rear and side view camera and additional display

**CABIN**

- Vertically and horizontally adjustable cabin\*
- Large skylight
- Sliding window in cab door
- Safety glass
- Automatic air conditioning system

**SERVICE PLATFORM**

- Convenient access to engine, main hydraulic valve block, diesel, DEF tank etc
- Secure place for carrying out service
- Unique in the market

**ENGINE**

**Diesel engine**

- Best-in-class for economic fuel consumption in its power segment
- Latest EU-Stage V emission technology
- Rest of world solutions
- Covered and protected EAT system

**Electric motor**

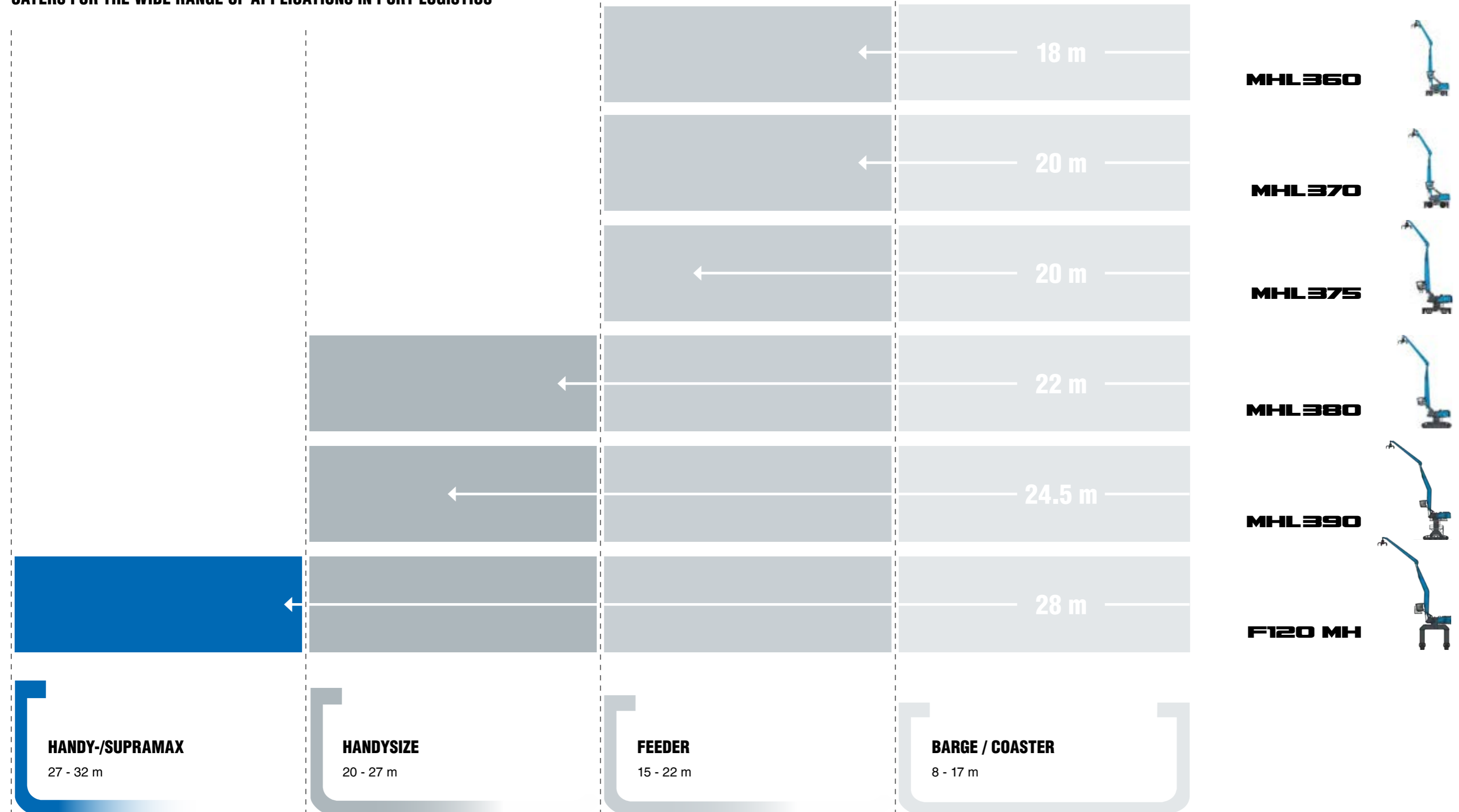
- Low maintenance and operating costs
- Minimum noise
- Zero emissions

**UNDERCARRIAGE**

- Mobile, crawler or stationary

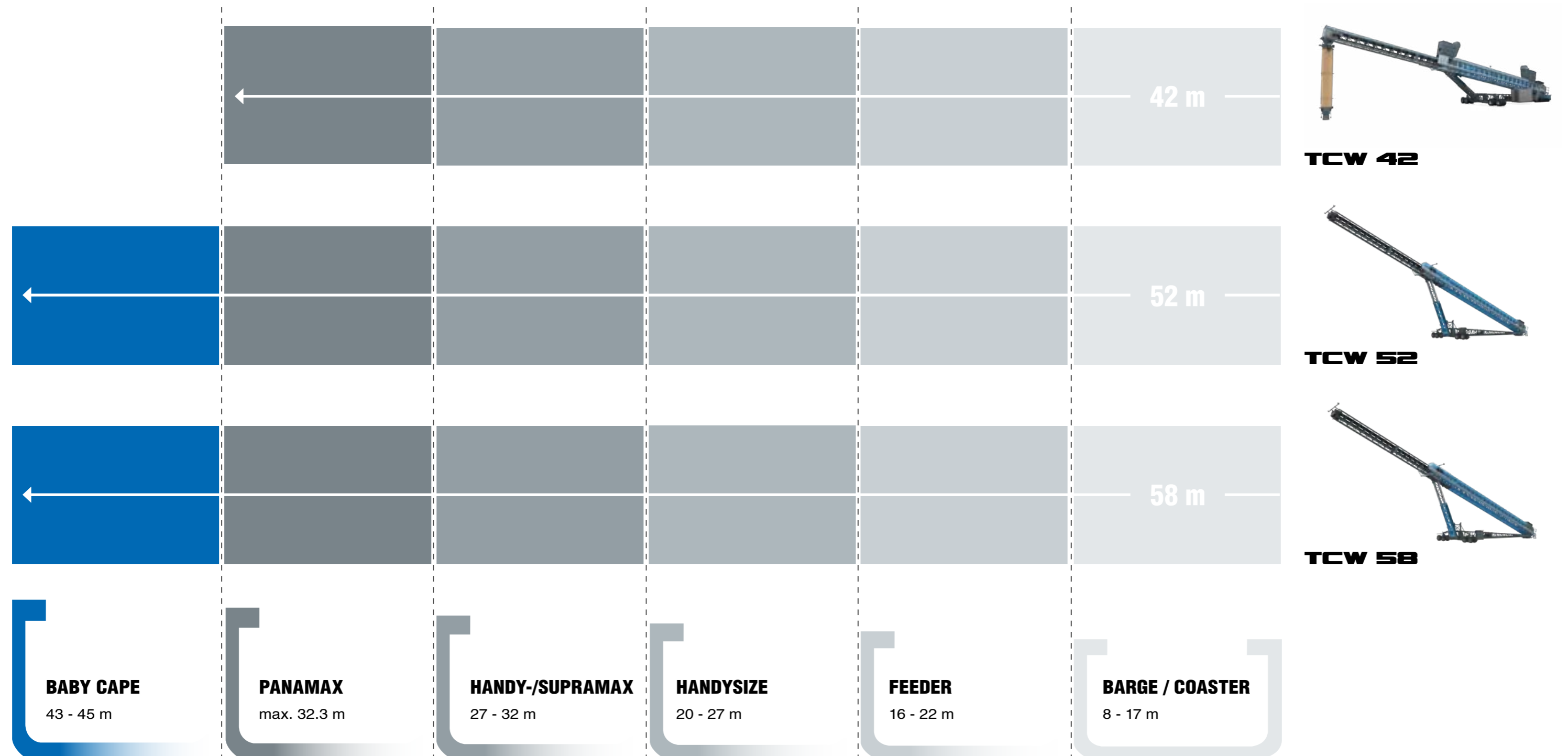
# FUCHS PORT LINE MATERIAL HANDLERS

CATERS FOR THE WIDE RANGE OF APPLICATIONS IN PORT LOGISTICS



# FUCHS PORT LINE CONVEYORS

CATERS FOR THE WIDE RANGE OF APPLICATIONS IN PORT LOGISTICS



# GREAT FEATURES COME STANDARD WITH YOUR FUCHS



**FUCHS SERVICE PLATFORM**

Safe place for daily checks and maintenance

**HYDRAULIC PIPES**

Metal pipes, great longevity



**SEPARATED COOLING SYSTEM**

For engine and hydraulic oil coolers



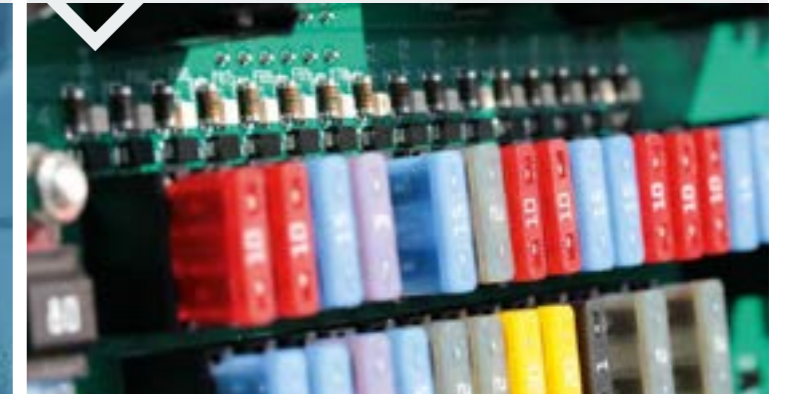
**DUAL-EAR PIN CONNECTION**

Optimal distribution of force, high longevity, less wear and tear



**QUICK FUSE CHECK BUTTON**

Fuses can be checked quickly and easily



**HOSE RUPTURE SAFETY VALVES**

Hose rupture safety valves with regeneration function as standard



**CONTROL DISPLAY**

Touchscreen LCD display: the dashboard provides all important information at a glance



**OIL PRESSURE AND FLOW ADJUSTMENT**

Parameters can be easily fine-tuned to your personal preference



**SLEWING RING**

Internally geared double row slewing ring bearing, greasing via automatic lubrication system



# SPECIAL OPTIONS FOR PORT APPLICATIONS



**VARIOUS TYPES OF CATWALKS**  
Safe and easy access



**FLAT TRACK SHOES**  
Exert a minimum amount of ground pressure

## BANANA BOOM

Improves reach on high ship sides and enables efficient material outtake even in the deeper areas of the vessel



## HIGH PRESSURE FILTRATION SYSTEM FOR ATTACHMENTS

Effective protection against contamination of hydraulic oil caused by damaged or leaking attachments monitored on the display



## TRIPLE GROUSER PLATE

Suitable for challenging ground conditions



## SINGLE TYRES

Maximum ground clearance



# ELECTRIC DRIVEN MATERIAL HANDLER

Electric drives are today's forward-looking trend. This is particularly the case with indoor applications, stationary machines and machines with rail undercarriage, in which powerful zero-emission electric drives have very tangible advantages. They include low operating and servicing costs and low noise emissions. The extensive use of standard components from our range of diesel driven models ensure that spare parts are widely available.

The right connection, every single time: the cable lengths and reel designs of Fuchs electric machines are adapted to customer's specific needs, in line with the required range and the available connection options on site.



## ZERO EMISSIONS

No exhaust gases, little noise and very little heat output: ideal features when operating indoors or close to residential areas.





# MHL350 G

## DIESEL ENGINE

- EU Stage V/ U.S. Tier 4
- EDG-Version (EU Stage IIIA/U.S. Tier 3) \*
- Deutz 6.1 L6 / TCD2013 L6
- 6-cylinder inline

## ELECTRIC MOTOR

Power: 132 kW  
 Total connected load: 170 kW  
 Motor start: via soft start  
 Optional cable reel: up to 50 metres (other lengths on request)

## LOADING EQUIPMENT

- with straight stick 17 m
- with universal stick 14.8 m
- Fuchs QuickConnect 13.10 m

## CAB SYSTEMS

- vertically adjustable



160 kW



160 kW



132 kW



35.8 t



5.7 m

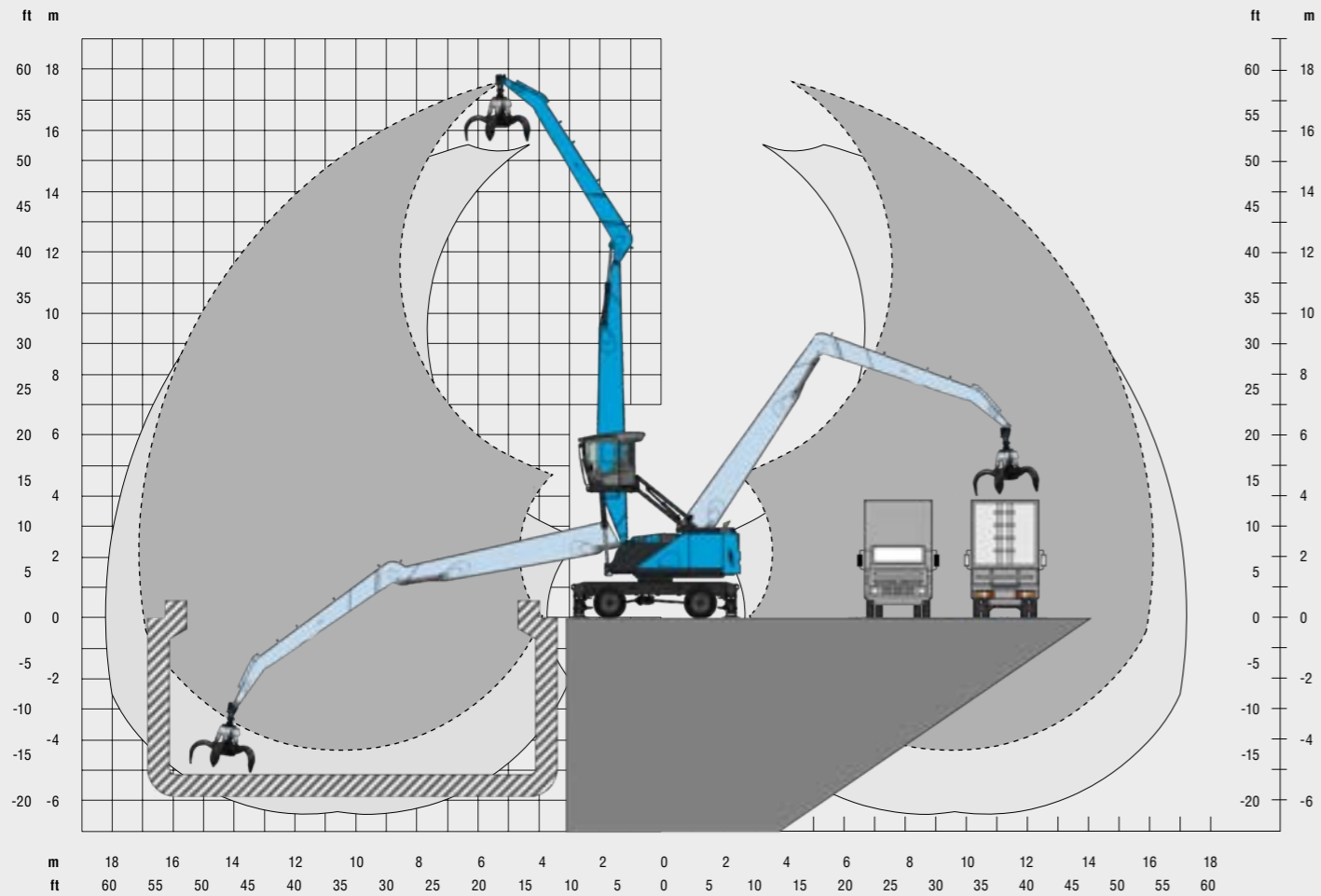
\* for low-regulated markets



# MHL350 G

## Application Example

- **LOADING EQUIPMENT: 17 M • CABIN: VERTICALLY ADJUSTABLE**
- **VIEWING HEIGHT: 5.7 M • UNDERCARRIAGE: MOBILE**



## UNDERCARRIAGE VARIANTS AVAILABLE FOR DIFFERENT APPLICATION REQUIREMENTS



**Mobile**  
MHL350 G



**Crawler**  
RHL350 G



**Stationary**  
AHL350 G



**Mobile with Pylon**  
MHL350 G (Pylon)



**Crawler with Pylon**  
RHL350 G (Pylon)



**Stationary with Pylon**  
AHL350 G (Pylon)



# MHL360

## DIESEL ENGINE

- EU Stage V/ U.S. Tier 4
- EU Stage IIIA/ U.S. Tier 3 \*
- Deutz TCD 7.8 L6 4V / TCD2013 L06 2V
- 6-cylinder inline

## ELECTRIC MOTOR

Power: 160 kW  
 Total connected load: 210 kW  
 Motor start: via soft start  
 Optional cable reel: up to 50 metres (other lengths on request)

## LOADING EQUIPMENT

- with straight boom 16.5 m / 18 m
- with banana boom 18 m

## CAB SYSTEMS

- vertically adjustable
- vertically and horizontally adjustable



190 kW



186 kW



160 kW



48.8 t



6.1 m

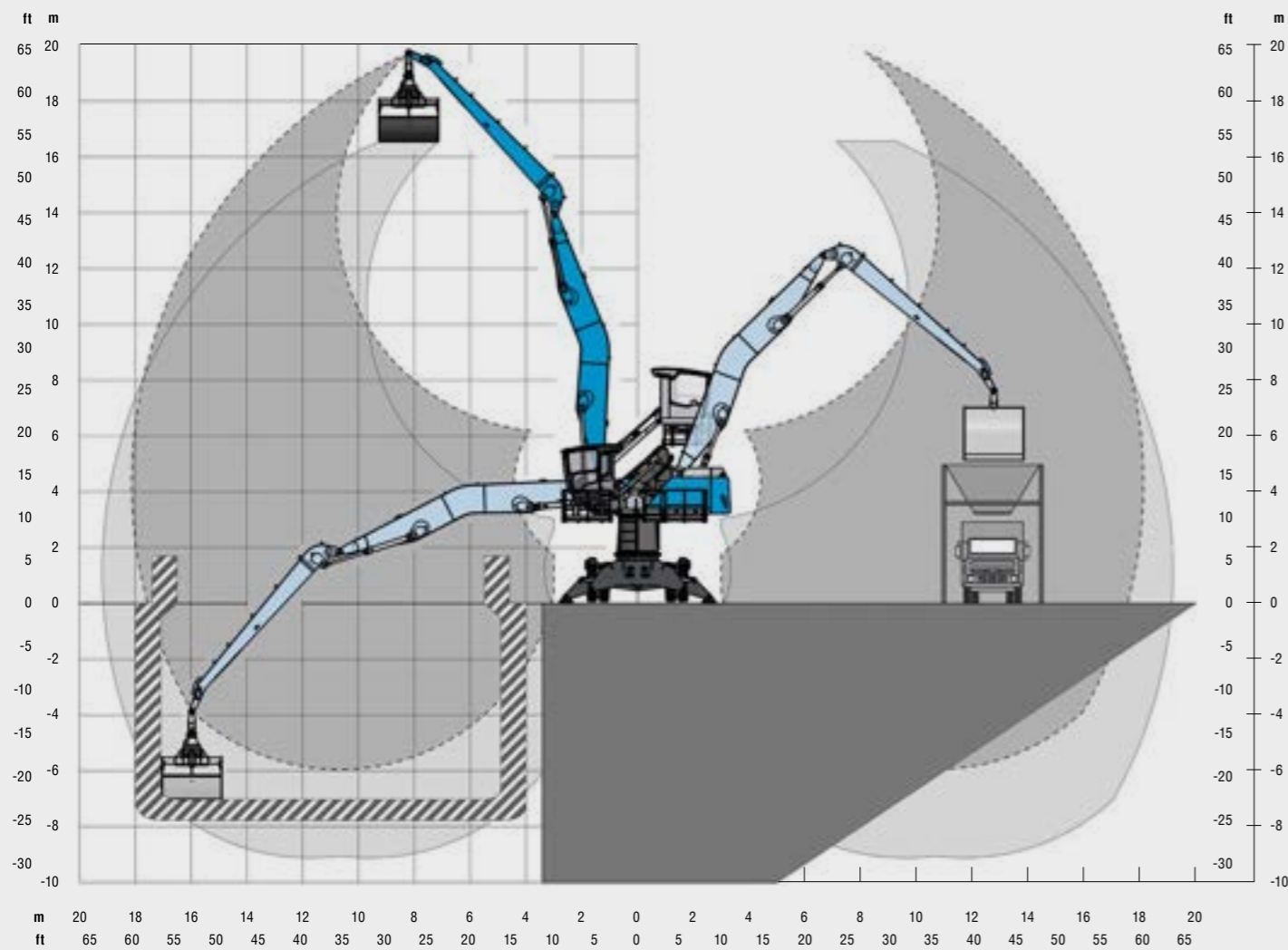
\* for low-regulated markets



# MHL360

## Application Example

- **LOADING EQUIPMENT: 18 M (BANANA BOOM) • CABIN: VERTICALLY ADJUSTABLE**
- **VIEWING HEIGHT: 7.5 M • UNDERCARRIAGE: MOBILE + PYLON**



## UNDERCARRIAGE VARIANTS AVAILABLE FOR DIFFERENT APPLICATION REQUIREMENTS



**Mobile**  
MHL360 F



**Crawler**  
RHL360 F



**Stationary**  
AHL360 F



**Mobile with Pylon**  
MHL360 F (Pylon)



**Crawler with Pylon**  
RHL360 F (Pylon)



**Stationary with Pylon**  
AHL360 F (Pylon)



# MHL370

## DIESEL ENGINE

- EU Stage V/ U.S. Tier 4
- EU Stage IIIA/ U.S. Tier 3 \*
- Deutz TCD 7.8 L6
- 6-cylinder inline

## ELECTRIC MOTOR

Power: 200 kW  
 Total connected load: 250 kW  
 Motor start: via soft start  
 Optional cable reel: up to 50 metres (other lengths on request)

## LOADING EQUIPMENT

- with straight boom 16,5 m / 18 m / 19 m / 20 m
- with banana boom 18 m

## CAB SYSTEMS

- vertically adjustable
- vertically and horizontally adjustable



230 kW



230 kW



200 kW



52.0 t



6.1 m

\* for low-regulated markets



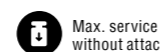
EU Stage V/  
U.S. Tier 4 E



EU Stage IIIA/  
U.S. Tier 3



Electric motor



Max. service weight  
without attachments

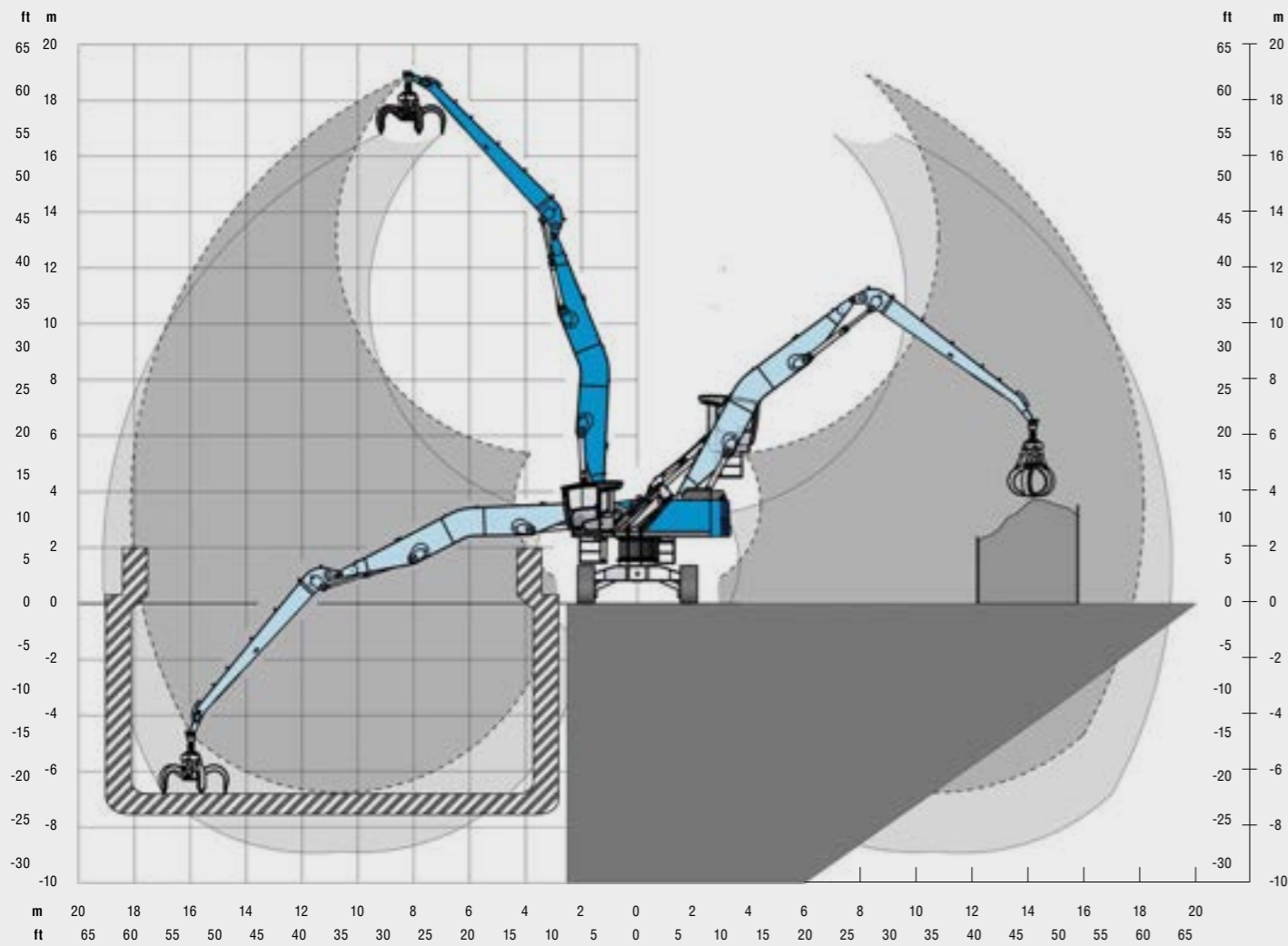


Max. viewing height

# MHL370

## Application Example

- **LOADING EQUIPMENT: 18 M (BANANA BOOM) • CABIN: VERTICALLY ADJUSTABLE**
- **VIEWING HEIGHT: 7.5 M • UNDERCARRIAGE: CRAWLER + PYLON**



## UNDERCARRIAGE VARIANTS AVAILABLE FOR DIFFERENT APPLICATION REQUIREMENTS



**Mobile**  
MHL370 F



**Crawler**  
RHL370 F



**Stationary**  
AHL370 F



**Mobile with Pylon**  
MHL370 F (Pylon)



**Crawler with Pylon**  
RHL370 F (Pylon)



**Stationary with Pylon**  
AHL370 F (Pylon)





# MHL375

## DIESEL ENGINE

- EU Stage V/ U.S. Tier 4
- EU Stage IIIA/ U.S. Tier 3 \*
- Deutz TCD 7.8 L6
- 6-cylinder inline

## ELECTRIC MOTOR

Power: 220 kW  
 Total connected load: 270 kW  
 Motor start: via soft start  
 Optional cable reel: up to 50 metres (other lengths on request)

## LOADING EQUIPMENT

- with straight boom 18 m / 20 m

## CAB SYSTEMS

- vertically adjustable
- vertically and horizontally adjustable



245 kW



245 kW



220 kW



65.5 t



6.0 m

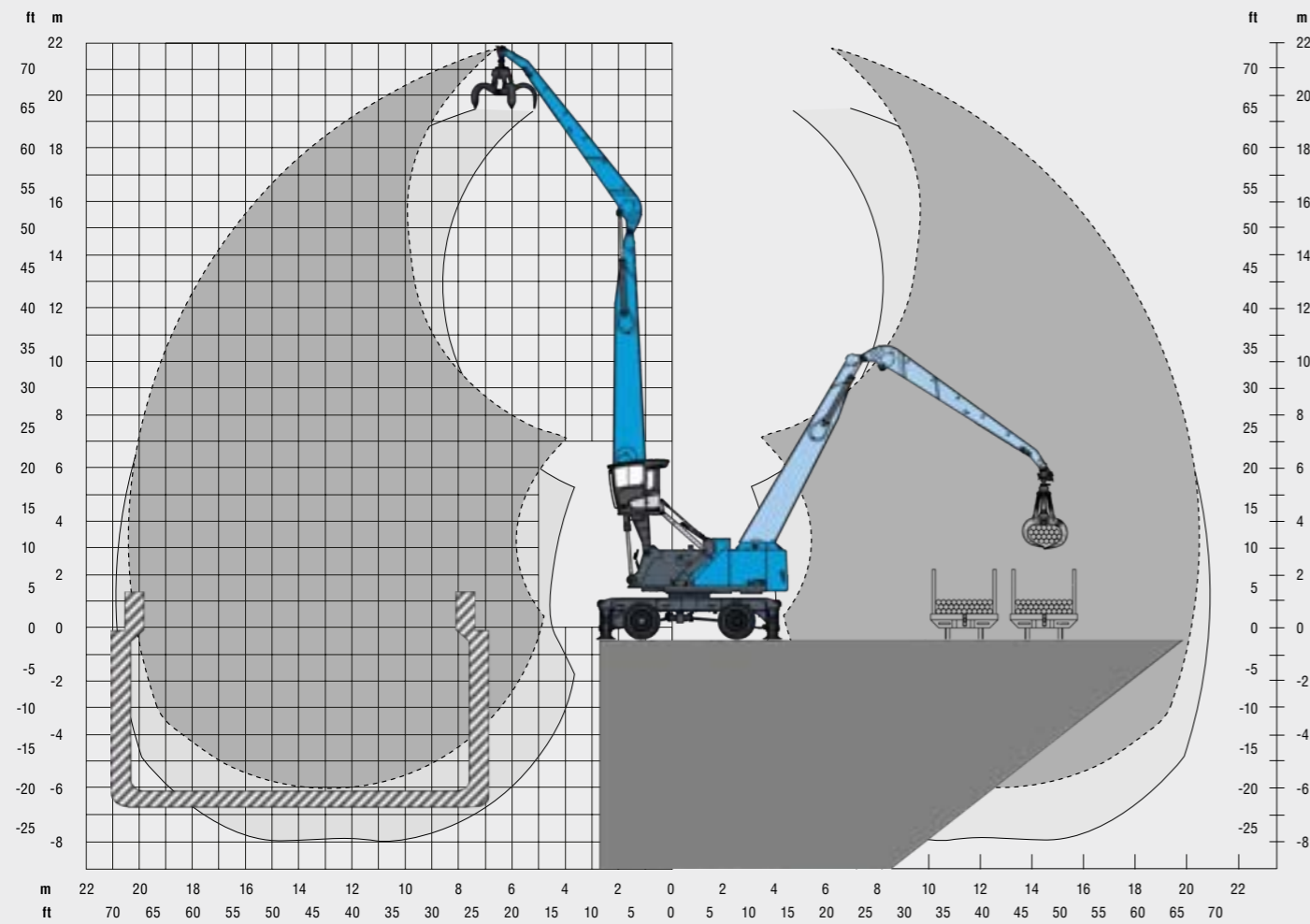
\* for low-regulated markets



# MHL375

## Application Example

- **LOADING EQUIPMENT: 20 M • CABIN: VERTICALLY ADJUSTABLE**
- **VIEWING HEIGHT: 6 M • UNDERCARRIAGE: MOBILE**



## UNDERCARRIAGE VARIANTS AVAILABLE FOR DIFFERENT APPLICATION REQUIREMENTS



**Mobile**  
MHL375 F



**Stationary**  
AHL375 F



**Mobile with Pylon**  
MHL375 F (Pylon)



**Stationary with Pylon**  
AHL375 F (Pylon)



# MHL380

## DIESEL ENGINE

- EU Stage V/ U.S. Tier 4
- EU Stage IIIA/ U.S. Tier 3 \*
- Deutz TCD 7.8 L6
- 6-cylinder inline

## ELECTRIC MOTOR

Power: 220 kW  
 Total connected load: 270 kW  
 Motor start: via soft start  
 Optional cable reel: up to 50 metres (other lengths on request)

## LOADING EQUIPMENT

- with straight boom 18 m / 20 m / 22 m
- with banana boom 20 m / 22 m

## CAB SYSTEMS

- vertically adjustable
- vertically and horizontally adjustable



245 kW



245 kW



220 kW



71.8 t



6.1 m

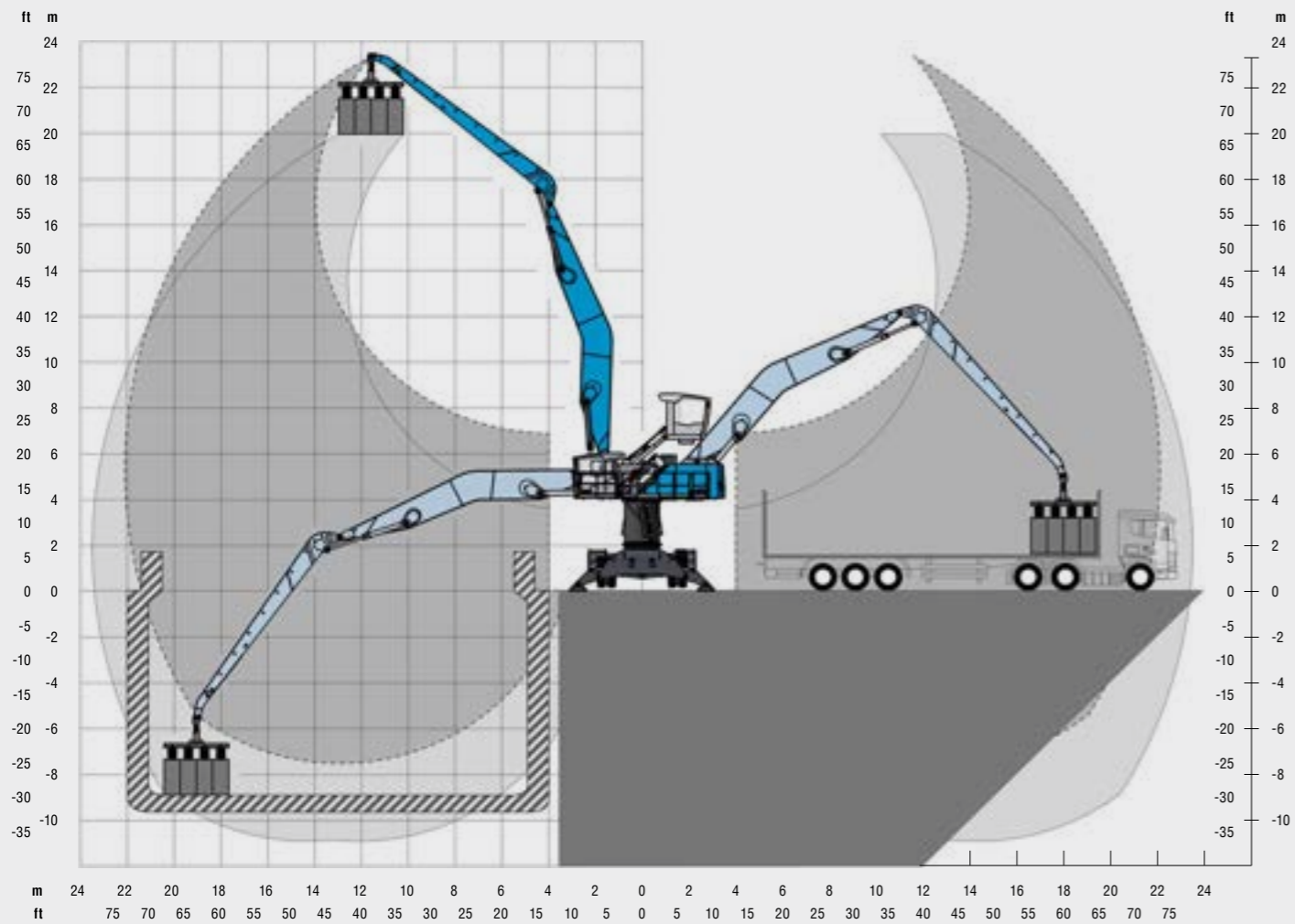
\* for low-regulated markets



# MHL380

## Application Example

- **LOADING EQUIPMENT: 22 M (BANANA BOOM) • CABIN: VERTICALLY ADJUSTABLE**
- **VIEWING HEIGHT: 8 M • UNDERCARRIAGE: MOBILE + PYLON**



## UNDERCARRIAGE VARIANTS AVAILABLE FOR DIFFERENT APPLICATION REQUIREMENTS



**Mobile**  
MHL380 F



**Crawler**  
RHL380 F



**Stationary**  
AHL380 F



**Mobile with Pylon**  
MHL380 F (Pylon)



**Crawler with Pylon**  
RHL380 F (Pylon)



**Stationary with Pylon**  
AHL380 F (Pylon)



# MHL390

## DIESEL ENGINE

- EU Stage V/ U.S. Tier 4
- EU Stage IIIA/ U.S. Tier 3 \*
- Deutz TCD 12.0 V6 / TCD2015 V06
- 6-cylinder inline

## ELECTRIC MOTOR

Power: 250 kW  
 Total connected load: 304 kW  
 Motor start: via soft start  
 Optional cable reel: up to 50 metres (other lengths on request)

## LOADING EQUIPMENT

- with straight boom 22 m / 24 m
- with banana boom 24.5 m

## CAB SYSTEMS

- vertically adjustable
- vertically and horizontally adjustable
- cabin system "Port"



300 kW



273 kW



250 kW



87 t



6.1 m

\*) for low-regulated markets

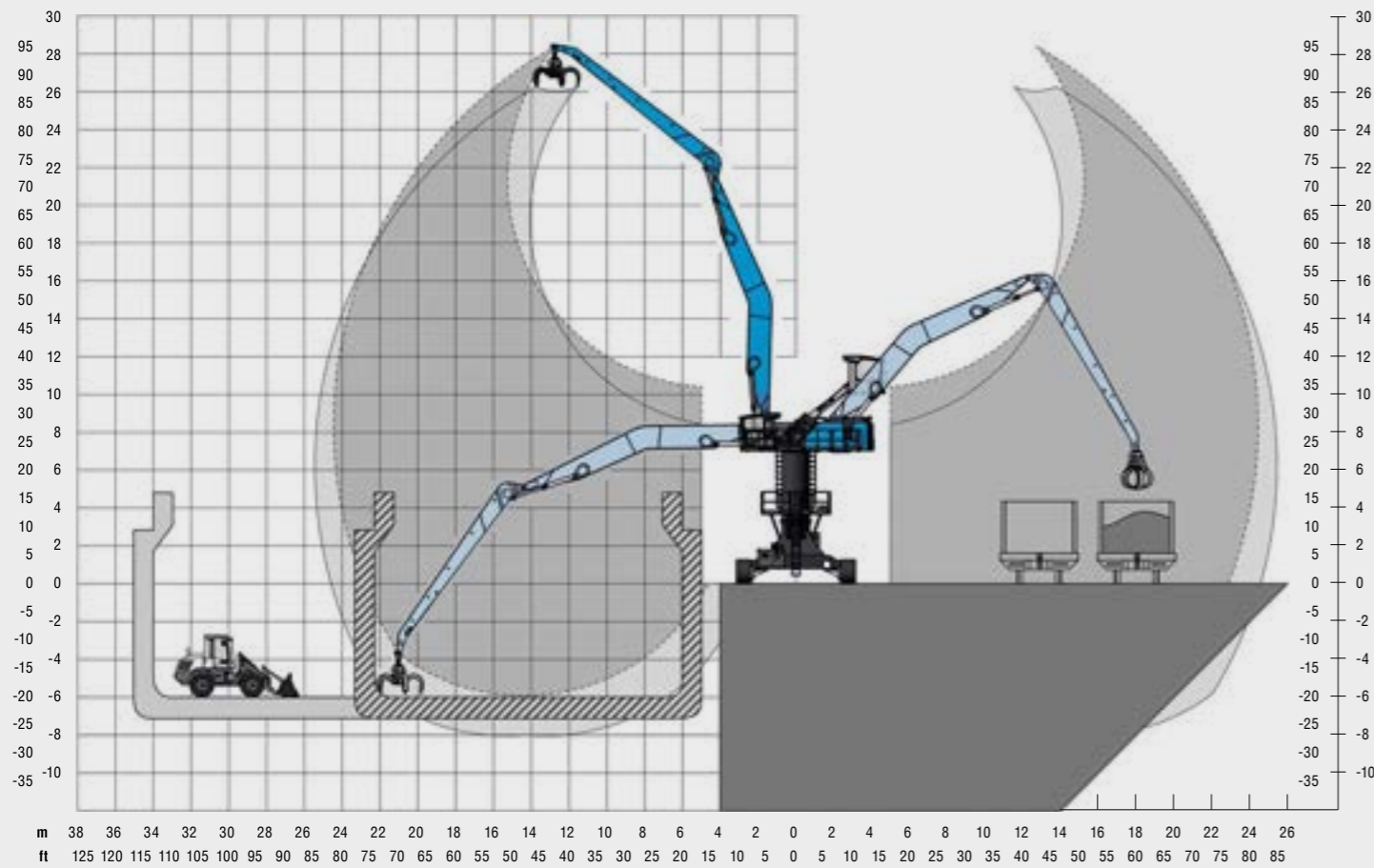




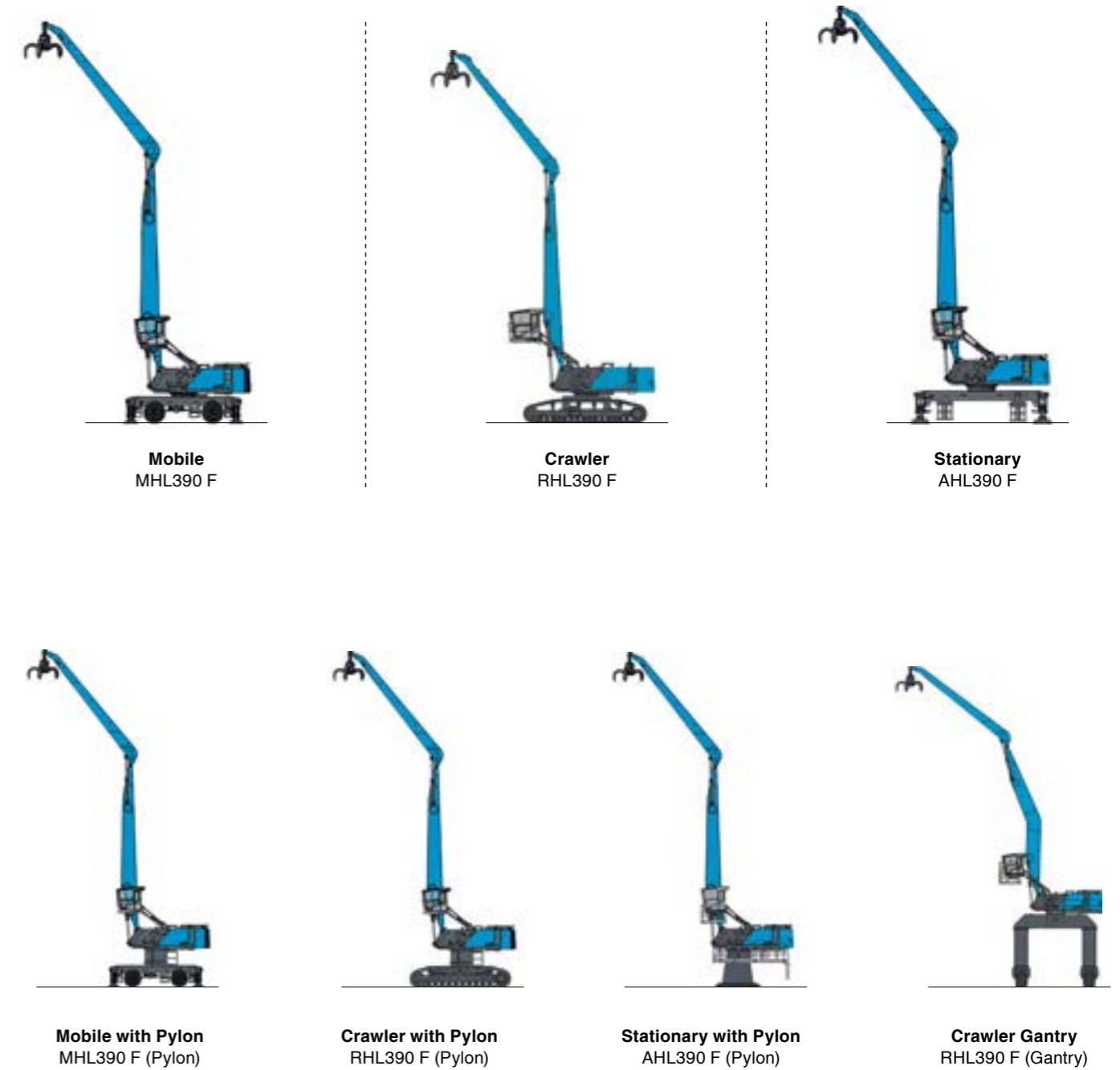
# MHL390

## Application Example (Pylon)

- **LOADING EQUIPMENT: 24.5 M (BANANA BOOM)** • **CABIN: VERTICALLY AND HORIZONTALLY ADJUSTABLE** • **VIEWING HEIGHT: 11.5 M** • **UNDERCARRIAGE: CRAWLER + PYLON**



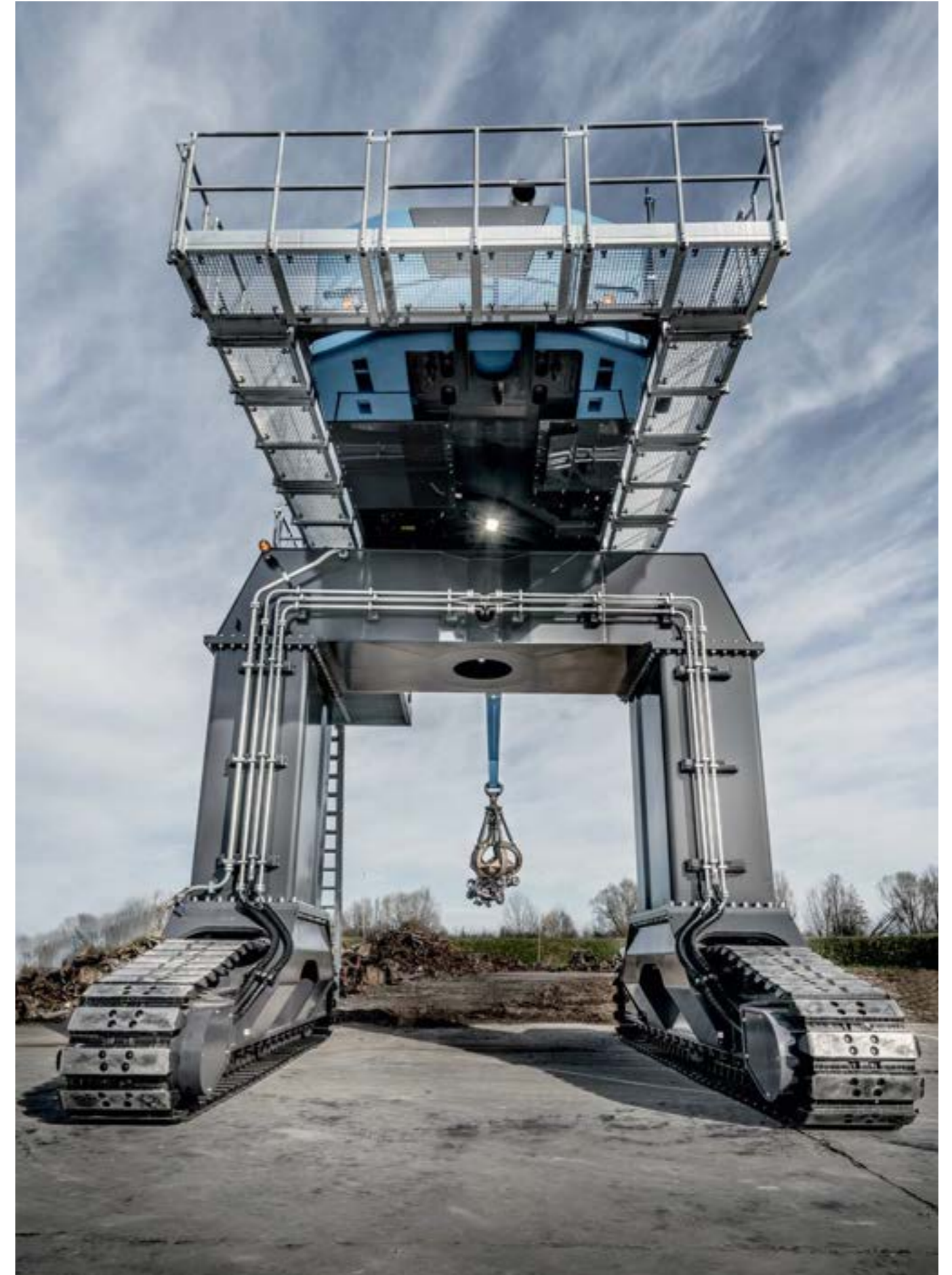
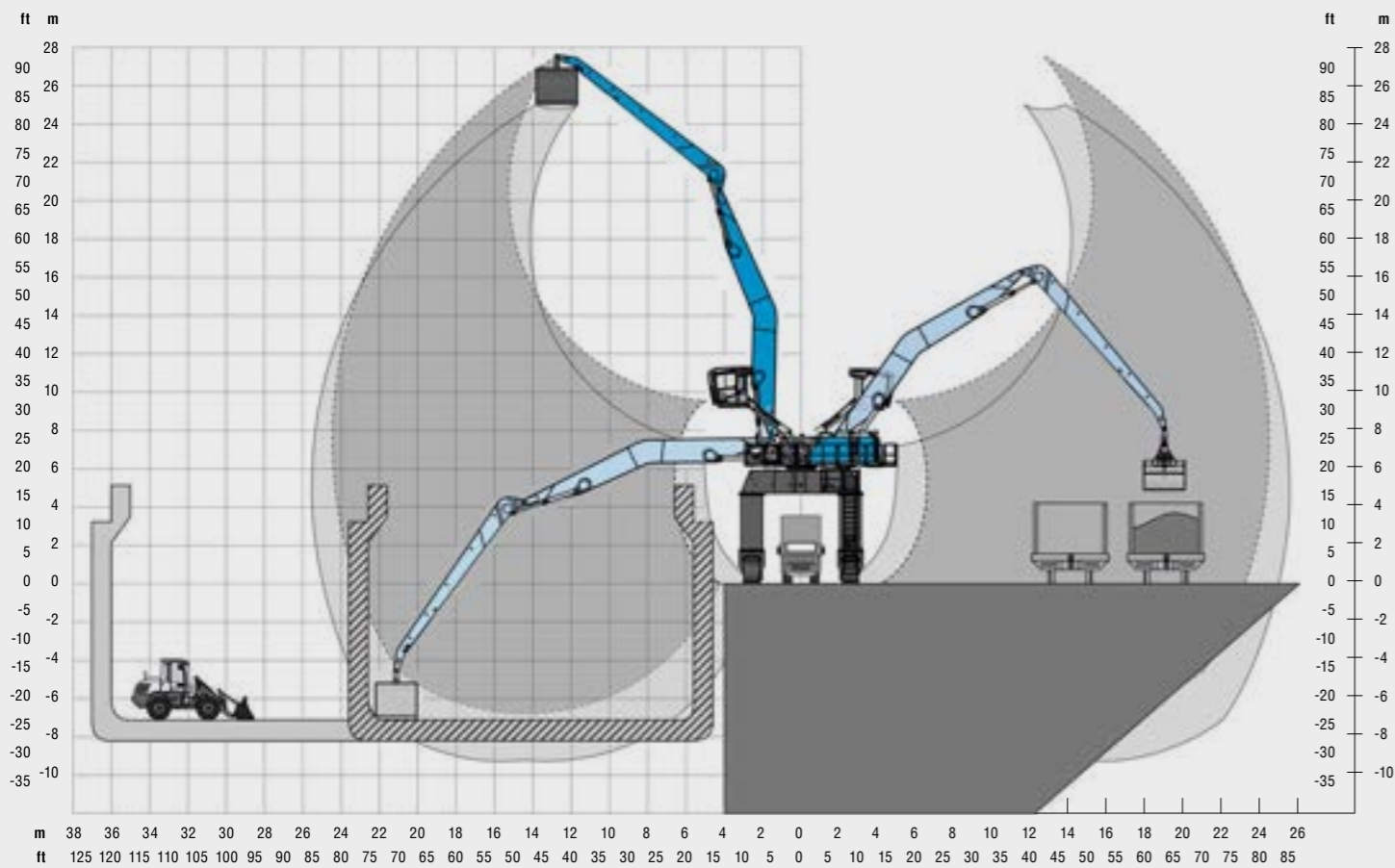
## UNDERCARRIAGE VARIANTS AVAILABLE FOR DIFFERENT APPLICATION REQUIREMENTS



# MHL390

## Application Example (Gantry)

- **LOADING EQUIPMENT: 24.5 M (BANANA BOOM)** • **CABIN: VERTICALLY AND HORIZONTALLY ADJUSTABLE** • **VIEWING HEIGHT: 10.5 M** • **UNDERCARRIAGE: GANTRY**





# F120MH

## DIESEL ENGINE

- EU Stage V/ U.S. Tier 4
- EU Stage IIIA/ U.S. Tier 3 \*
- Deutz TCD 12.0 V6
- 6-cylinder inline

## ELECTRIC MOTOR

Power: 280 kW  
 Total connected load: 430 kW  
 Motor start: via soft start  
 Optional cable reel

## LOADING EQUIPMENT

- with straight boom 18-28 m
- with banana boom 18-28 m

## BLUE HYBRID SYSTEM

- Power: 150 kW
- Max system power: 500 kW

## CAB SYSTEMS

- vertically and horizontally adjustable



350 kW



350 kW



280 kW



120-150 t



6.1 m

\*) for low-regulated markets



**ATTACHMENTS AND LOADING EQUIPMENT**

- Robust and FEM-optimised loading device, designed for heavy-duty material handling applications
- Banana boom for an optimised range curve, which greatly facilitates the unloading of bulk carriers and barges
- Hydraulic installation designed for material handling, with mostly durable piping being used
- Hose rupture safety valves on allworking cylinders, while boom and stick cylinders also have hydraulic regeneration for enhanced efficiency and safety in every application
- Tool control: oil flowrate and pressures for attachments individually adjustable
- Blue Hybrid System: storage of recovered energy in accumulators when the charging medium is lowered, which can be used in the next loading cycle

**CAB**

- Fuchs comfort cab
- Large panoramic ceiling for optimal overhead visibility
- Wiper arms and motors are positioned outside the field of view
- Automatic climate control
- Various cab lifting systems available

**DRIVE**

- Blue Hybrid System reduces fuel consumption by up to 35%. The system power of 500 kW ensures energy efficient loading cycles, maximum handling performance and increases productivity

**Diesel engine**

- Low emissions thanks to state-of-the-art EU Stage 5 exhaust gas cleaning system
- Best-in-class fuel consumption
- Exhaust system is optimally protected against mechanical damage
- Extended oil service period

**Electric motor**

- Low operating costs
- Minimum noise
- ZERO emissions

**UPPERCARRIAGE**

- High-performance cooling systems, with separate coolers for the engine, the hydraulic oil and air conditioning
- Fans with thermostatic control, ensuring temperatures consistently remain within the optimal range. This prolongs their lifespan and helps to reduce operating costs
- Highly efficient mobile hydraulics
- Rear view and side camera

**UNDERCARRIAGE**

- Mobile \*
- Crawler
- Gantry \*
- Stationary \*

**FUCHS SERVICE PLATTFORM**

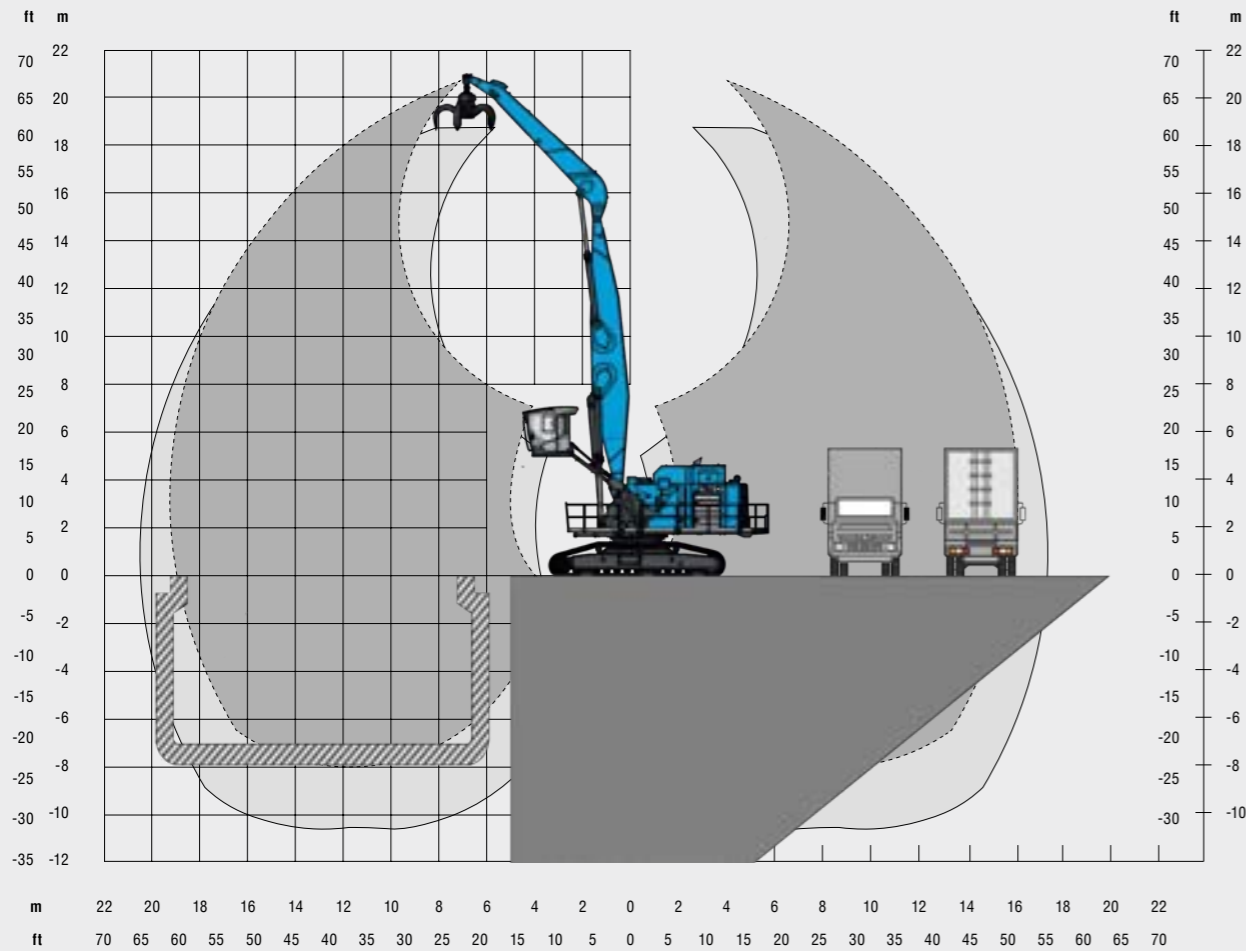
- Unique in the market
- Gantry machine: service platform access via catwalk
- Secure location for carrying out service
- Convenient access to engine compartment, Fuchs Hybrid system components, main control block, central lubrication system, air filter, tanks and much more.
- Generous maintenance flaps made of sheet steel supported by gas springs
- Maintenance work can be completed quickly, safely and comfortably



# F120MH

## Application Example

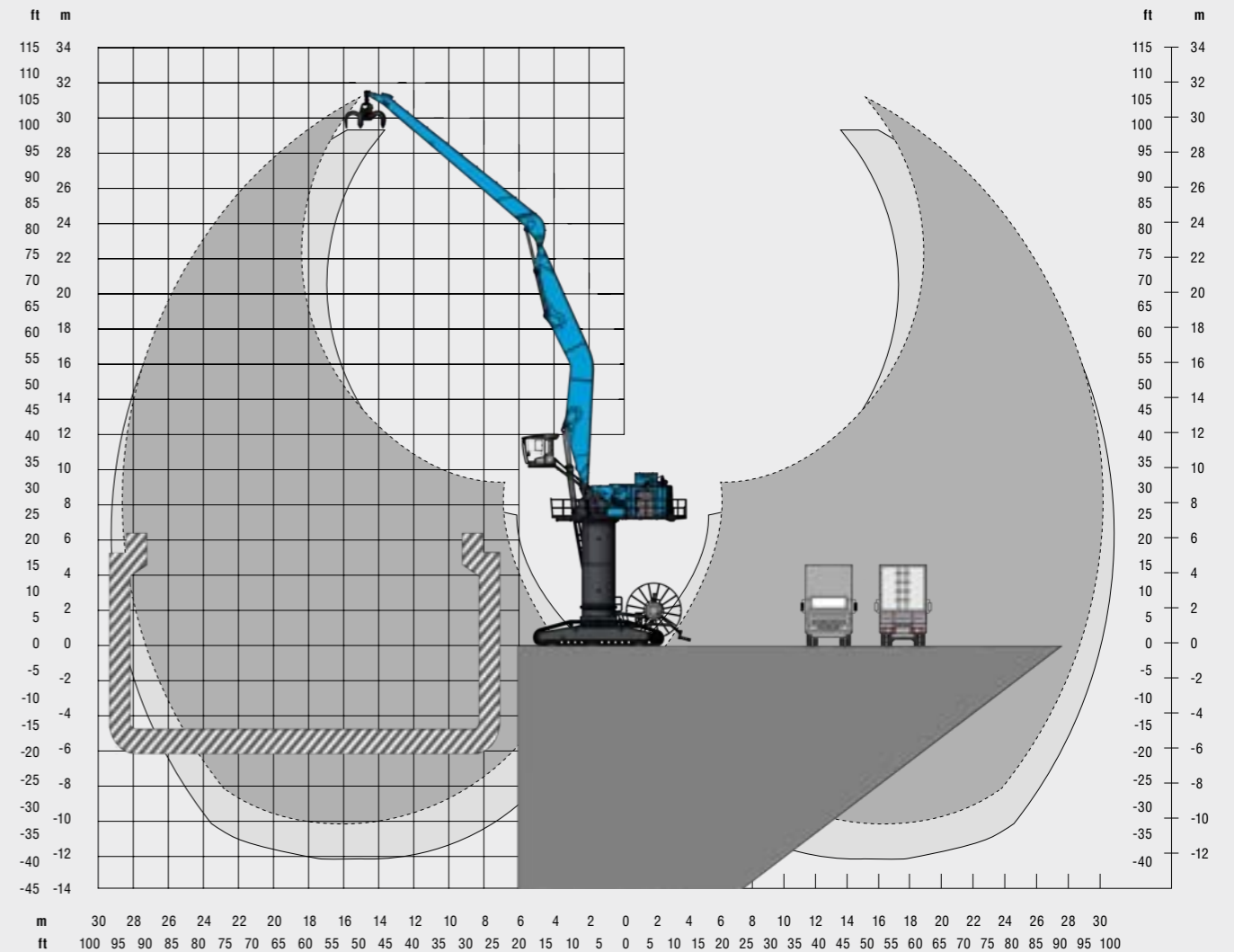
- **LOADING EQUIPMENT: 18 M (STRAIGHT BOOM)** • **CABIN: VERTICALLY AND HORIZONTALLY ADJUSTABLE** • **VIEWING HEIGHT: 6.1 M** • **UNDERCARRIAGE: CRAWLER**



# F120MH

## Application Example (Pylon)

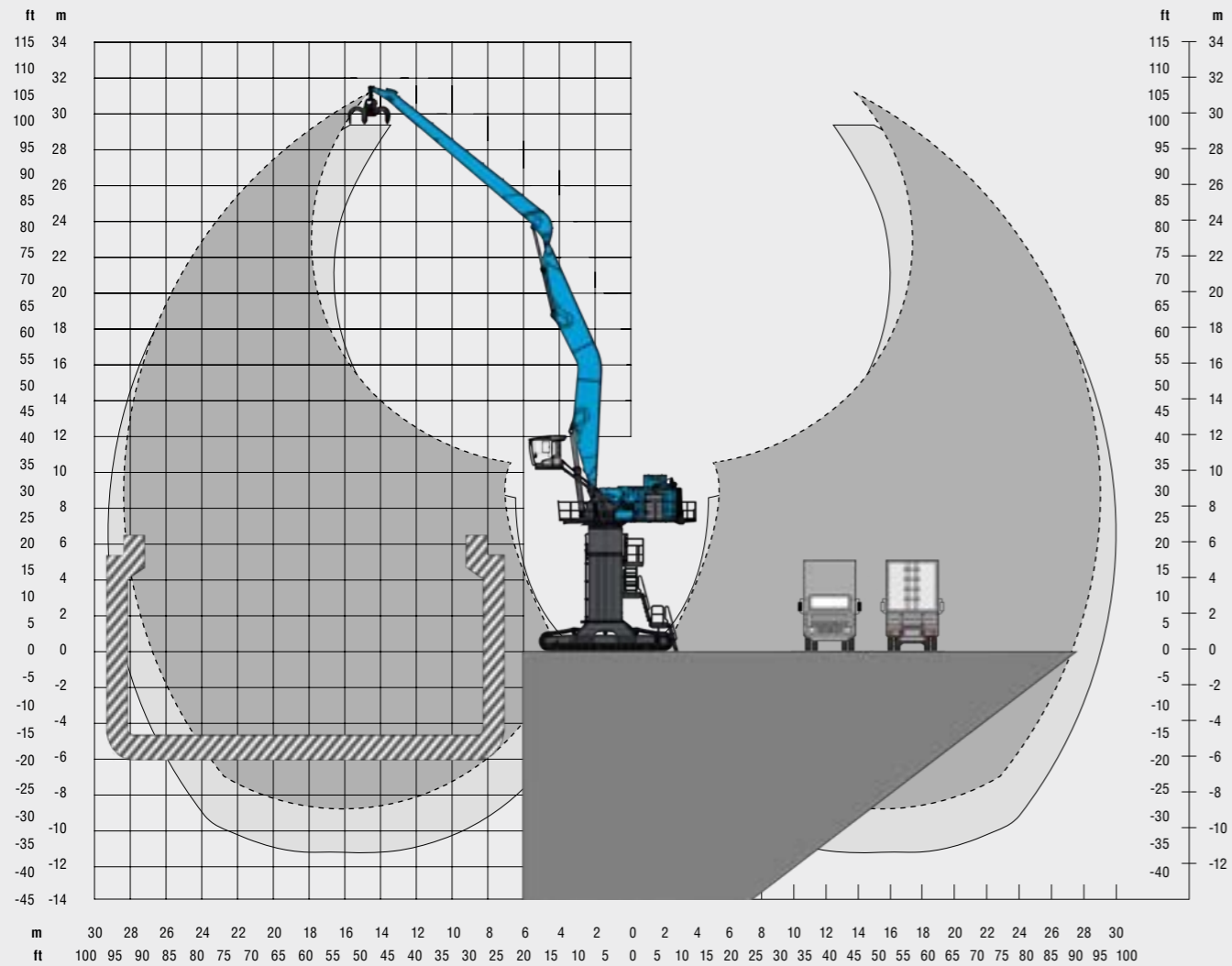
- **LOADING EQUIPMENT: 28 M (BANANA BOOM)** • **CABIN: VERTICALLY AND HORIZONTALLY ADJUSTABLE** • **VIEWING HEIGHT: 12 M** • **UNDERCARRIAGE: CRAWLER + PYLON**



# F120MH

## Application Example (Gantry)

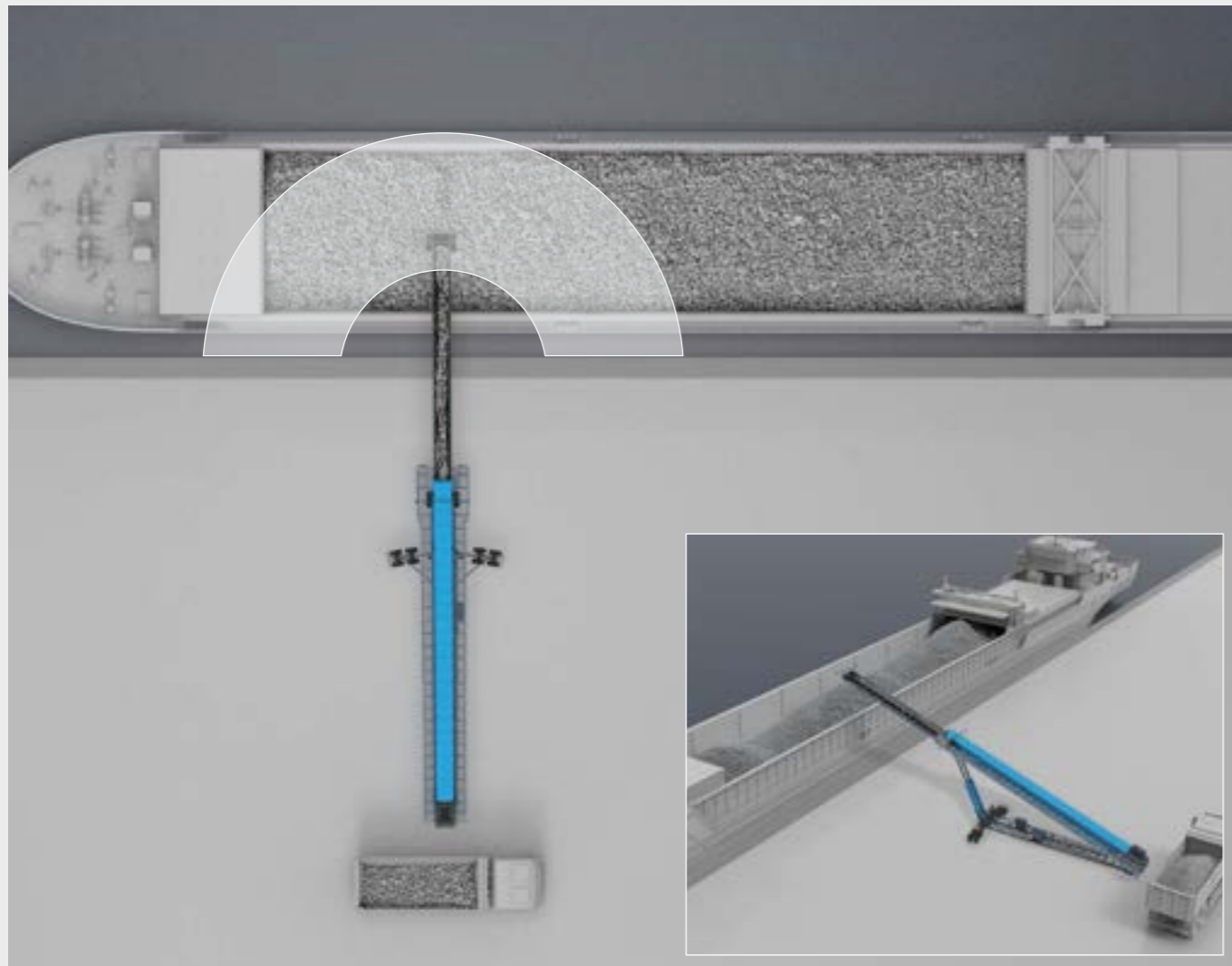
- **LOADING EQUIPMENT: 27 M (STRAIGHT BOOM)**
- **CABIN: VERTICALLY AND HORIZONTALLY ADJUSTABLE**
- **VIEWING HEIGHT: 12 M**
- **UNDERCARRIAGE: GANTRY**



# TELESCOPIC CONVEYOR

## Application Example

FUCHS PORT LINE FEATURES THREE SPECIFICATIONS THAT ARE CAPABLE OF 270° OF RADIAL MOVEMENT AND UP TO 22° WORKING ANGLE.



## TELESCOPIC CONVEYOR VARIANTS

AVAILABLE FOR DIFFERENT APPLICATION REQUIREMENTS



Telescopic Conveyor  
TCW 42

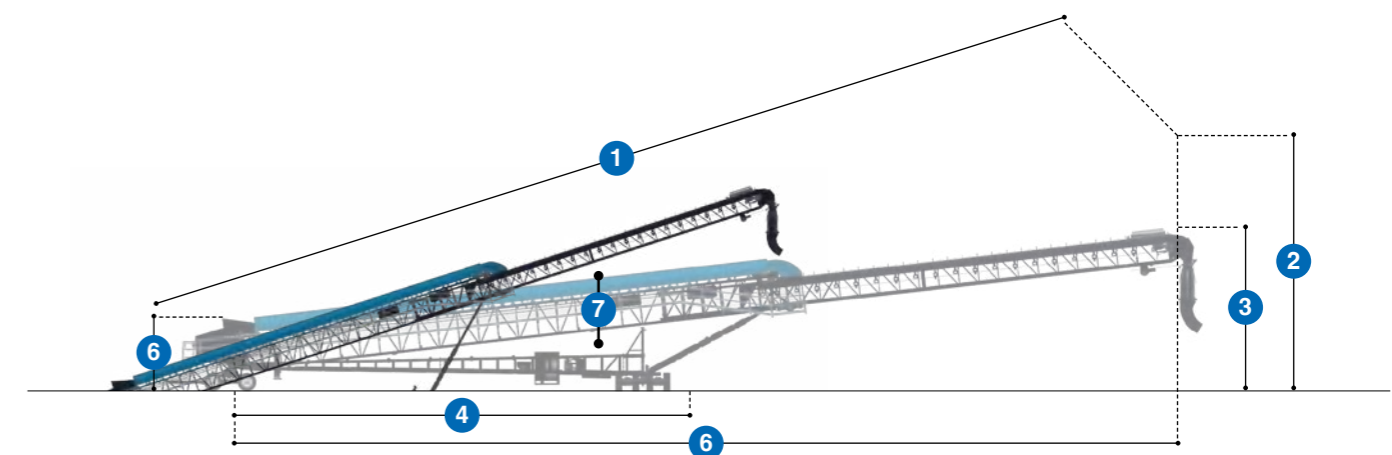


Telescopic Conveyor  
TCW 52



Telescopic Conveyor  
TCW 58

	TCW 42 42 m	TCW 52 52 m	TCW 58 58 m
1 Conveyor Length	42 m	52 m	58 m
2 Max. Discharge Height (Extended)	14.32 m	18.27 m	19.5 m
3 Min. Discharge Height (Extended)	7 m	10.96 m	12 m
4 Chassis Length (Kingpin to Swing Axle)	18.34 m	22.45 m	22.47 m
5 Maximum Reach (Kingpin to Discharge point)	39.88 m	47.5 m	53.56 m
6 Feed In Height	2.7 m	3.47 m	3.85 m
7 Operational Angle Range (Degrees)	8°–18°	8°–18°	8°–18°
8 Operational Width	6.8 m	10.48 m	10.48





# TELESCOPIC CONVEYOR



## FEEDER VARIANTS AVAILABLE FOR DIFFERENT APPLICATION REQUIREMENTS



**Bulk Reception Feeder**  
RF 22

This Heavy Duty Bulk Reception Feeder allows for the highest level of productivity and efficiency for loading and unloading trucks, ships, trains and more.

**RF 22**

Conveyor length	17 m
Belt width	1800 mm
Min. Discharge height	3.52 m @ 15°
Max. discharge height	4.66 m @ 21°
Production capacity	1500 TPH @ 1600 kg/m <sup>3</sup>



**High Level Feeder**  
MF24H

Combines the highly versatile feeder system and stockpiling conveyor.



**Low Level Feeder**  
MF24L

Allows the operator to directly discharge from wheel loaders and excavators at a significantly lower feed in height compared to standard hopper feeders.

**MF24H High Level**

**MF24H Low Level**

	MF24H High Level	MF24H Low Level
Conveyor length	22.5 m	22.5 m
Feeder length	4.1 m	4.1 m
Belt width	1200 mm	1300 mm
Discharge height	8 m @ 18°	8 m @ 18°
Max. discharge height	9.8 m @ 24°	9.8 m @ 24°
Production capacity	Up to 600+ TPH	Up to 600+ TPH

# PROFESIONAL CUSTOMER SUPPORT

Anyone who opts for first-class products can also expect first-class service before and after making a purchase. At Fuchs, not only are the loading machines optimally tailored to the needs of the customers, but the services are too. So you can be sure that your Fuchs loading machine will provide you with the reliability you need.

A regularly trained team of service specialists, comprehensive technical documentation and useful online tools through to mobile service containers support our distributors worldwide in the fast and competent implementation of assembly, maintenance and repair work. In urgent cases, a hotline and service websites are available to the service partners outside of normal business hours.

## EDUCATION, TRAINING AND WORKSHOPS

The Fuchs global service network is the interface between distributors and the manufacturer. Highly qualified consultants and technicians are available to users to answer all questions about the Fuchs loading machines. They are supported by a sophisticated training and workshop programme in the Fuchs training centre, which is used by hundreds of international participants every year. Our professionally trained service technicians maintain contact with the service partners and support them in solving particularly demanding tasks.

## FAST SPARE PARTS SERVICE

If help is needed it has to happen quickly. That is why the Terex has set up state-of-the-art spare parts warehouses around the world, which dispatch tens of thousands of shipments per year. Thanks to the Terex Connected Dealer Inventory System, all of our participating business partners have access to hundreds of thousands of spare parts worldwide.



# MODULAR SYSTEM

## ATTACHMENTS



Cactus grab



Timber grapple



Clamshell grab



Load hook



## WORK EQUIPMENT



Straight



Banana Boom



## UNDERCARRIAGES



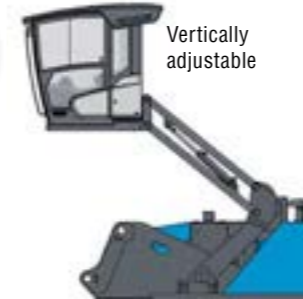
Standard-undercarriage



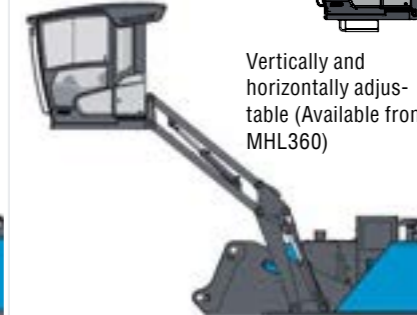
Standard-undercarriage with Pylon



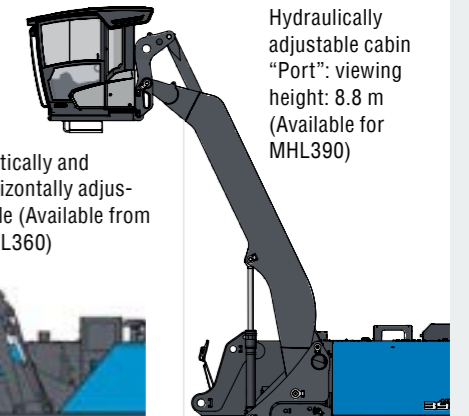
## CAB SYSTEMS



Vertically adjustable



Vertically and horizontally adjustable (Available from MHL360)



Hydraulically adjustable cabin "Port": viewing height: 8.8 m (Available for MHL390)

## ENGINES



Diesel engine



Electric motor

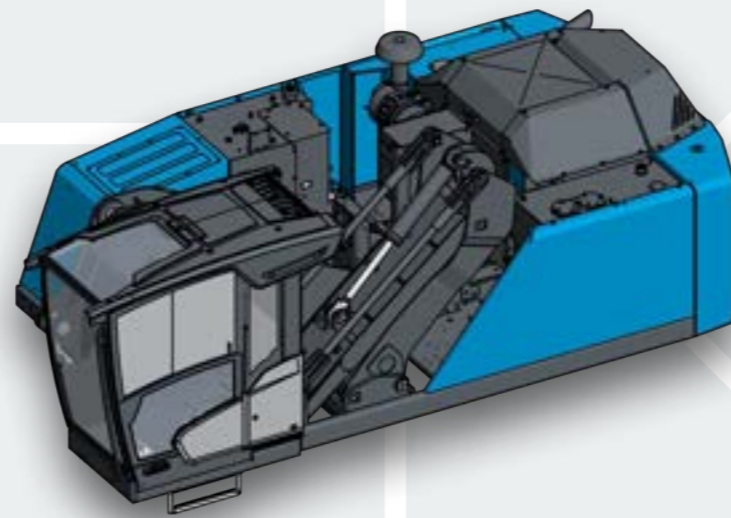
## OPTIONS



Cable reel



Cable drum



Crawler



Crawler with Pylon



Gantry



AHL Standard-undercarriage with Pylon



AHL Pylon



[www.terex.com/fuchs](http://www.terex.com/fuchs)

April 2026. Product specifications and prices are subject to change without notice or obligation. The photographs and/or drawings in this document are for illustrative purposes only. Refer to the appropriate Operator's Manual for instructions on the proper use of this equipment. Failure to follow the appropriate Operator's Manual when using our equipment or to otherwise act irresponsibly may result in serious injury or death. The only warranty applicable to our equipment is the standard written warranty applicable to the particular product and sale and Terex makes no other warranty, express or implied. © Terex Corporation 2026 - Terex, the Terex Crown design, Fuchs and Works For You are trademarks of Terex Corporation or its subsidiaries.

Terex® Deutschland GmbH | Industriestraße 3 | 76669 Bad Schönborn | Germany | Fon: +49 (0) 7253 84-0 | Fax: +49 (0) 7253 84-102 | [info@terex-fuchs.com](mailto:info@terex-fuchs.com)

