



Preliminary
US

MHL 420



 127 hp

 46,076 - 48,281 lbs

 up to 49'3"



FUCHS[®]

A TEREX BRAND

TECHNICAL SPECIFICATIONS

OPERATING WEIGHT WITHOUT ATTACHMENT

MHL420	46,076 - 48,281 lbs
--------	---------------------

Diesel engine

	EU Stage V / US Tier 4	EU Stage IIIA / US Tier 3**
Manufacturer and model	Deutz TCD 3.6 L04	Deutz TCD 3.6 L04
Design	4-cylinder in-line engine	4-cylinder in-line engine
Operation	4-stroke diesel, common rail direct injection, turbocharger with charge air cooling, regulated exhaust gas recirculation, diesel particle filter with continuous regeneration and SCR catalytic converter	4-stroke diesel, common rail direct injection, turbocharger with charge air cooling
Engine rating	127 hp	127 hp
Rated speed	1800 rpm	1800 rpm
Displacement	220 cui	220 cui
Cooling system	Water and charge air cooling with demand driven, temperature-dependent fan drive and reversible fan	Water and charge air cooling with demand driven, temperature-dependent fan drive and reversible fan
Emission standard	EU Stage V / US Tier 4 / China 4	EU Stage IIIA / US Tier 3*
Fuel tank (Diesel)	73 gal	73 gal
Urea Tank (AdBlue)	5,3 gal	—

Electrical system

Alternator	28 V / 100 A	28 V / 100 A
Operating voltage	24 V	
Battery	2 × 12 V / 105 Ah / 750 A (according to EN)	
Lighting system	2 × LED floodlights at the front of the machine, rear parking lights and indicator lights, 2 × LED working lights on cab	

Travel drive

Hydrostatic travel drive via infinitely variable axial piston motor with directly mounted travel brake valve, two-speed manual gearshift, 4-wheel drive

Traveling speed 1st gear	max. 3.1 mph
Traveling speed 2nd gear	max. 11.8 mph
Turning radius (all-wheel steering)	14'9"

Slewing drive

Slewing ring	Internally geared, double-row ball turning ring, greasing via automatic lubrication system
Drive	2-stage planetary gear with integrated multi-disc brake
Uppercarriage rotation speed	0–8 rpm
Swivel lock	Electrically activated

TECHNICAL SPECIFICATIONS

Undercarriage

Front axle	Planetary drive axle with integrated, low-maintenance drum brake, rigidly mounted
Rear axle	Oscillating planetary drive axle with integrated, low-maintenance drum brake and selectable oscillating lock
Outtrigger	4-point stabilizers, individually operated 2-point stabilizers and support blade, individually operated
Tires	Forestry tires 600/50 - 22.5

Brakes

Service brake	Hydraulic braking system acting on all four wheel pairs
Parking brake	Electrically operated spring-loaded drum brake at transmission, acting on both front and rear axle

Hydraulic system

Axial piston variable displacement pump	With load sensing, coupled with a load-independent flow distribution, allows simultaneous independent control of all work functions.
Max. Flow rate	81 gpm
Max. Working pressure	4641 / 5221 psi
Hydraulic oil tank	72 gal
Filtration	Flow-optimized return filter, integrated in the oil tank. Filter fineness defined at a beta value $\beta(10) = 200$ guarantees 99.5% separation of dirt particles with 10 μm . Very good separation values are already achieved with particle sizes of 3 μm . Generously dimensioned for long operating times.
Cooling system	Separated high-performance cooler with demand driven, temperature-dependent fan drive and reversible fa

Cab

Cab	Infinitely variable hydraulic height-adjustable cabin with sliding door. Reinforced steel structure, soundproofed, heat-insulated panoramic windows for best all-round visibility, front window with roller blind, glass panel in the cabin roof with sliding blind. Heating and air conditioning, separate heat exchangers, fresh and recirculated air filters. Multifunction touch display, bottle holder, paper clip and multiple storage and mounting options. Digital radio (DAB+, USB, Bluetooth and hands-free), USB charging station 5V. Infinitely variable hydraulic height-adjustment with eye level up to 5.3 m above ground
Air-conditioning system	Automatic air-conditioning. Hot water heating with variable temperature control and 8-speed fan, 8 adjustable air nozzles, 3 defroster nozzles
Operator's seat	Air-cushioned comfort seat with swinging armrests / joysticks, safety belt, lumbar support and headrest. Enables fatigue-free work due to universal adjustment options for the seat position, seat inclination and the arrangement of the seat cushion in relation to the armrests and joysticks..
Monitoring	Ergonomically arranged, glare-free multifunction display, multifunction display, automatic monitoring and storage of deviating operating states (including all hydraulic oil filters, hydraulic oil temperature, coolant and charge air temperature, loading of diesel particulate filter, steering), visual and acoustic warning systems. Diagnostic option for the individual sensors via the multifunction display. Rear view and side view camera on the right with separate monitor.

	EU Stage V / US Tier 4	EU Stage IIIA / US Tier 3*
Sound level	Sound power level (outdoor) L_{WA} 97.7 dB(A) (measured) according to directive 2000/14/EC L_{WA} 99 dB(A) (guaranteed) according to directive 2000/14/EC Sound pressure level (inside the cabin) according to ISO 6396 standard L_{pA} 72 dB(A)	Sound power level (outdoor) L_{WA} 99.3 dB(A) (measured) according to directive 2000/14/EC L_{WA} 100 dB(A) (guaranteed) according to directive 2000/14/EC Sound pressure level (inside the cabin) according to ISO 6396 standard L_{pA} 69 dB(A)
Vibrations	Weighted r.m.s. value of acceleration of upper limbs is below 2.5 m/s ² (98 in/s ²) Weighted r.m.s. value of acceleration for seat area and feet is below 0.5 m/s ² (20 in/s ²)	

Certification in accordance with CE guidelines

Voluntary DGUV type examination

EQUIPMENT

Diesel engine	Standard	Option
Direct electronic fuel injection / common rail	•	
ECO and Power Mode	•	
Water and charge air cooler	•	
DEF injection, passive regeneration	•	
Advanced automatic idling with engine shutdown function	•	
Engine diagnostic interface	•	
Temperature-controlled fan drive	•	
Engine preheating		•
Undercarriage		
All-wheel drive	•	
All-wheel steering	•	
Low maintenance drum brakes	•	
Rear axle oscillating lock	•	
2-speed powershift transmission		•
2-speed manual transmission	•	
4-point stabilizers	•	
Dozer blade in addition to the 4-point stabilizers		•
2-point stabilizers and support blade		•
Stabilizer cylinders with integrated two-way check valves	•	
Piston rod protection on stabilizer cylinders	•	
Protection guard for drivetrain		•
Tool box	•	
Special paint (customer paint work)		•
Forestry tires 600/50 - 22.5	•	
Uppercarriage		
Separated high-performance cooling system for engine, hydraulics and air-conditioning system	•	
Adjustable reversing fan	•	
Automatic central lubrication system	•	
Rear view camera	•	
2 x side cameras on the right	•	
Service platform	•	
2 rotating beacons on the counterweight		•
Electric refuelling pump		•
Light protection		•
Cab		
Vertically adjustable cabin	•	
Tiltable cab up to 30°		•
Single-pane safety glass (ESG)	•	
Polycarbonate safety screens (front & roof)		•
Sliding window in cab door	•	

EQUIPMENT

Cab	Standard	Option
Cabin with penetration resistant glass front and top (classification P5A)		•
Cabin with bullet-proof glass (classification P8B)		•
Windshield washer system(front windshield)	•	
Washing device for roof window		•
Enlarged roof window	•	
Air-cushioned operator seat with headrest, seatbelt and lumbar support	•	
Seat heating		•
Joystick steering		•
Steering column, height and tilt adjustable	•	
Automatic air conditioning	•	
Auxiliary heating		•
Multifunction display	•	
Bottle holder with cooler	•	
Document net	•	
Protective front and roof guard		•
Voltage converter 12 V		•
Digital radio (DAB+, USB, Bluetooth and hands-free)	•	
12V socket / cigarette lighter		•
Fire extinguisher, dry powder		•
Travel alarm w/ rotating beacons		•
Other equipment		
Close proximity range limiter for dipperstick	•	
Coolant and hydraulic oil level monitoring system	•	
Filter system for attachments		•
Pressure switch 3626/ 4641 psi for attachments	•	
Rupture valves for lifting cylinders		•
Active cyclone prefilter		•
Preheating of hydraulic oil		•
Lubrication of the grab suspension by central lubrication system		•
Basic LED light packages		•
Power LED light packages		•
Basic LED working lights cabin roof front	•	
Basic LED head lights at the front of the machine	•	
Boom cylinder damping system (piston accumulator)		•
Lift cylinder protection		•
Paint color according to customer's request		•
Road permission		•
Fuchs Connect telematics system, including 5-year license	•	

CAB

- Fuchs comfort cab
- Tilttable cab up to 30°*
- Large panoramic roof for optimal overhead visibility
- Polycarbonate safety screens *
- Wiper arms and motors out of the field of view
- Automatic climate control

ATTACHMENTS & LOADING EQUIPMENT

- Telescopic stick with a maximum reach up to 49'3"
- Robust loading equipment designed for heavy-duty applications in the timber industry and tree care applications
- Hydraulic preparation for various forestry attachments

UNDERCARRIAGE

- Specially developed for heavy-duty forestry and tree care applications
- Individually controllable extended outrigger, enlarged support plates
- Powerful travel drive
- Forestry tires

Various undercarriage variants:

- 4-point stabilizers
- 2-point stabilizers & parallel guided support plate*

FUCHS SERVICE PLATFORM

- Unique on the market
- Easily accessible, spacious service platform
- Convenient access to engine compartment, main control block, central lubrication system, air filter, tanks, and much more.
- Maintenance work can be completed quickly, safely and comfortably

DRIVE

Diesel engine

- Low emissions thanks to state-of-the-art EU Stage 5 exhaust gas cleaning system
- ROW solutions
- Best in class fuel consumption
- Exhaust system incl. DPFs are optimally protected against mechanical damage

UPPERCARRIAGE

- High-performance cooling systems, with physically separated coolers for water, charge air, hydraulic oil and air conditioning
- Thermostatically controlled cooler
- Highly efficient mobile hydraulics
- Rear view and side camera
- 2 x side cameras on the right





GREAT FEATURES COME STANDARD WITH YOUR FUCHS



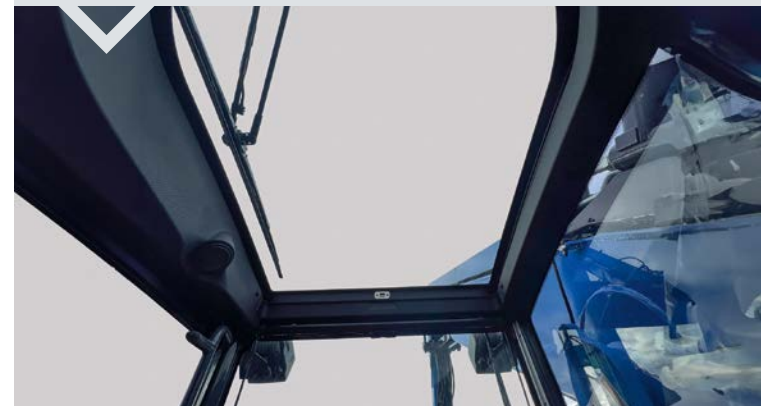
COMFORTABLE ACCESS

FORESTRY TYRES



COMFORTABLE AND SPACIOUS CAB

ENLARGED SKYLIGHT



EXTENDED OUTRIGGERS



ALL-WHEEL STEERING



FUCHS SERVICE PLATFORM



2 X SIDE CAMERAS ON THE RIGHT



ENLARGED SUPPORT PLATES



SPECIAL OPTIONS – FOR TREE CARE APPLICATIONS



PROTECTION GUARD EAT SYSTEM



PROTECTION GUARD LIFT FRAME



PROTECTION GUARD AIR FILTER



PROTECTION GUARD LUBRICATING BOX



FRAME FOR ATTACHMENT TOOL



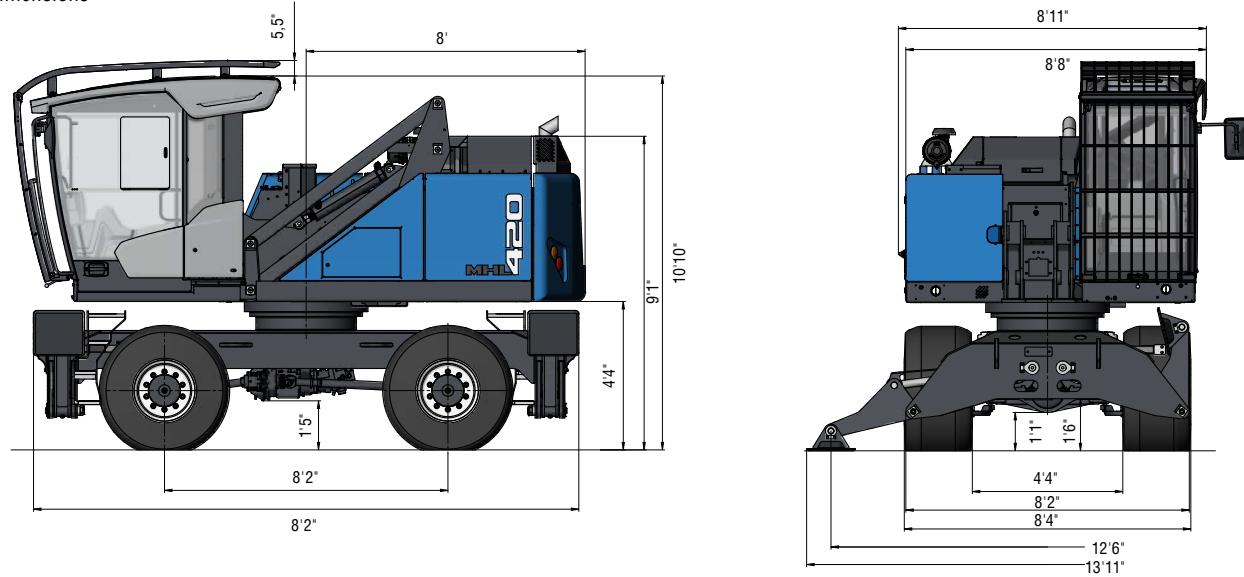
PARALLEL GUIDED SUPPORT PLATE



TECHNICAL DIMENSIONS

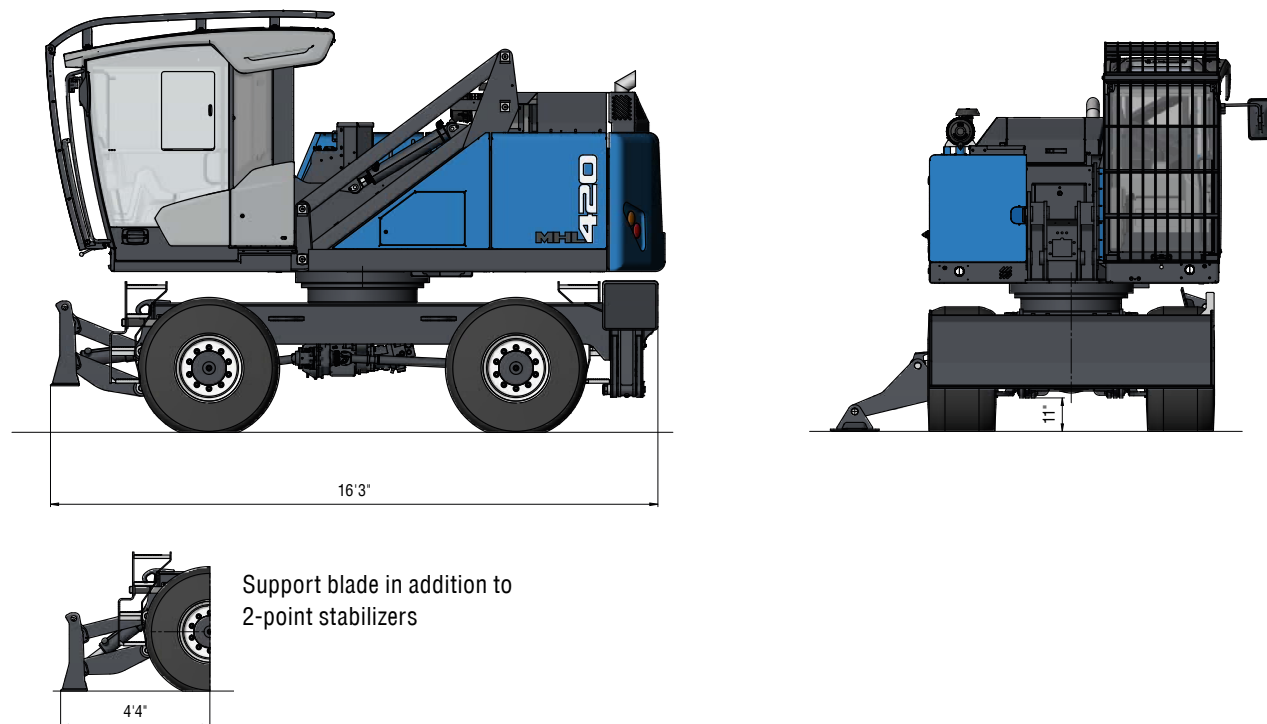
4-point stabilizers

Side view
all dimensions



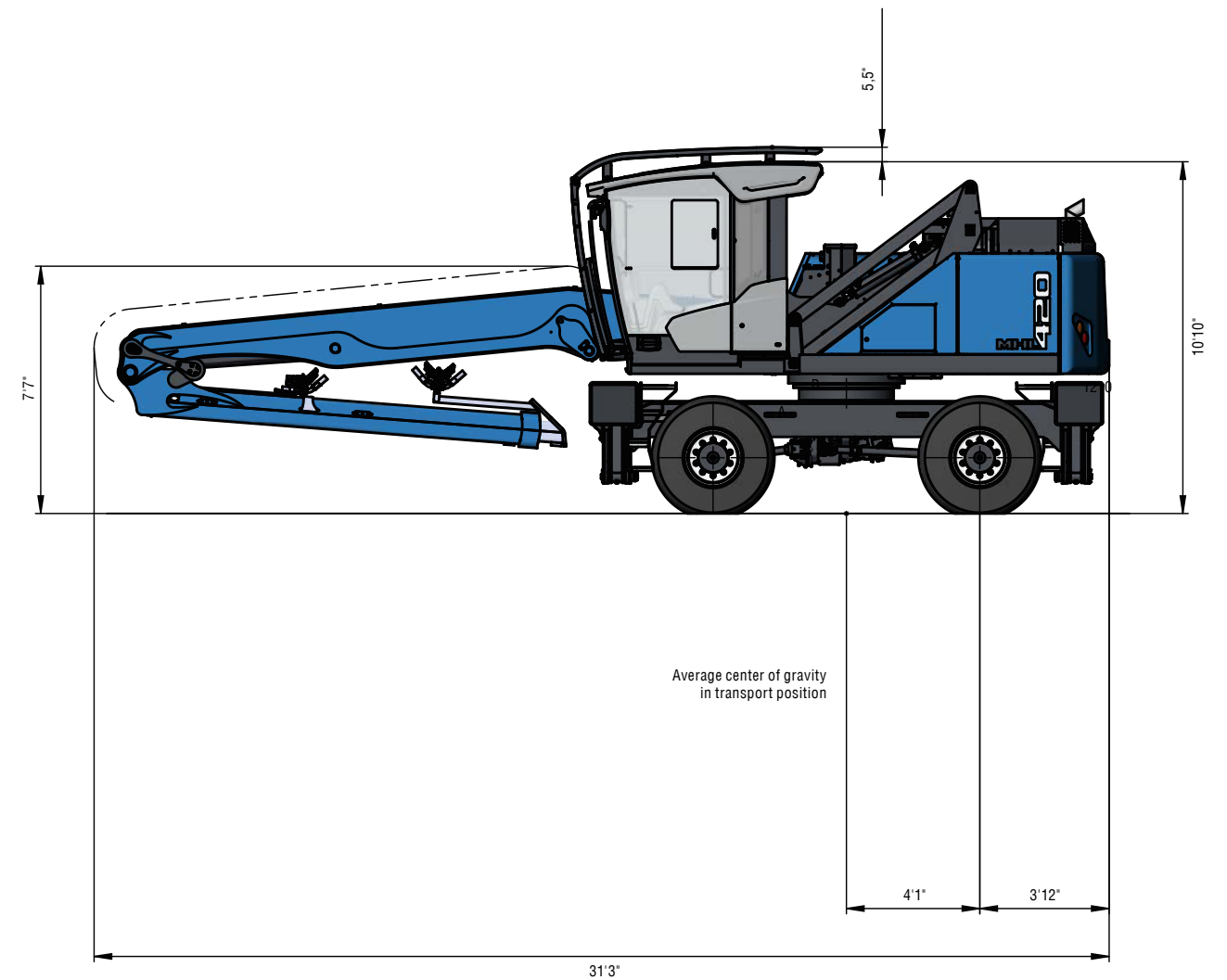
2-point stabilizers and support plate

Side view
all dimensions



TRANSPORT DIMENSIONS

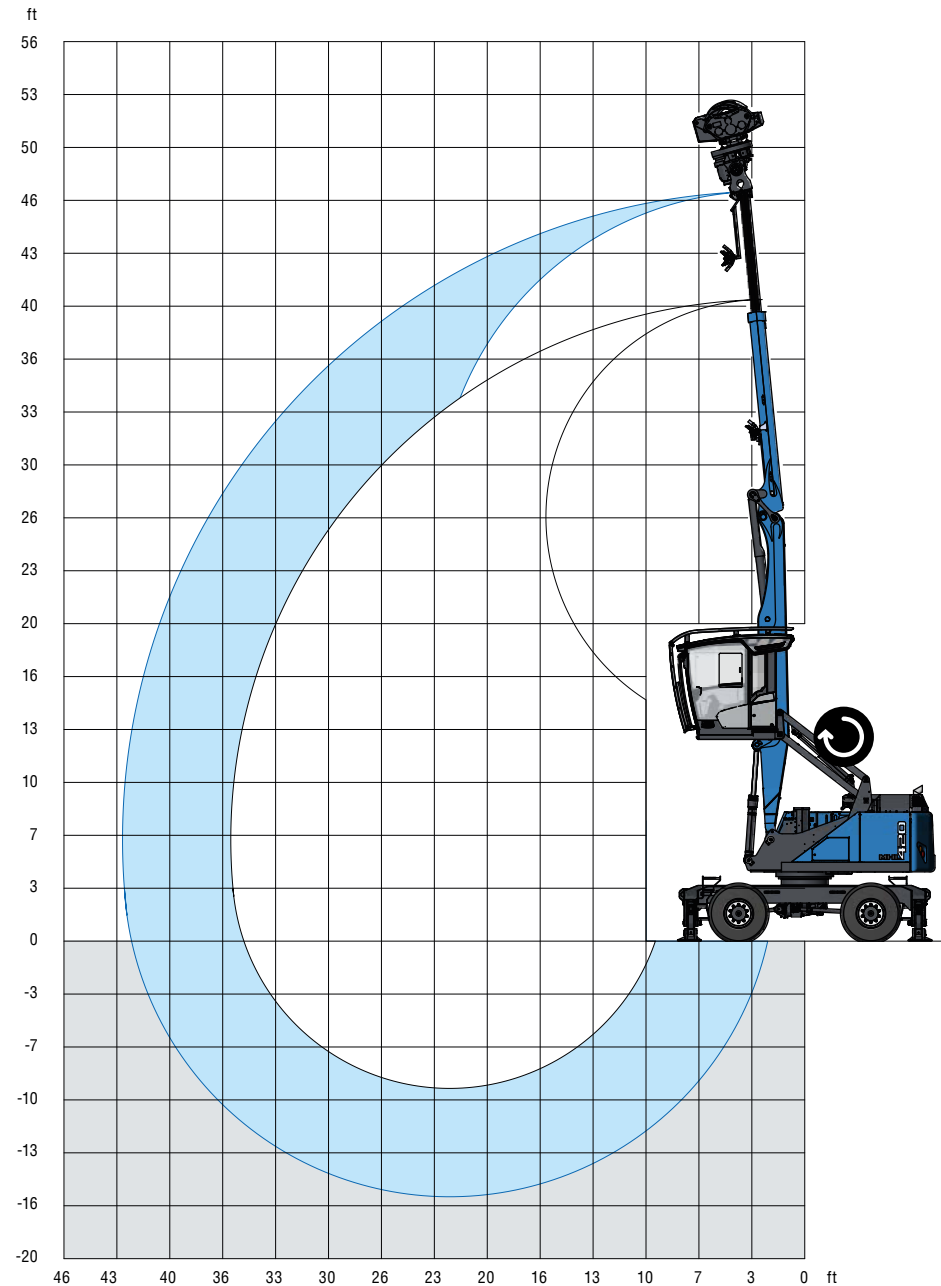
Side view
all dimensions



REACH

up to 49'3" with telescopic stick

Boom: 20' - Telescopic stick: 13'9"/20'4" - Grapple saw



LIFTING CAPACITY

Loading equipment: boom 20', telescopic stick 13'8" / 20'3"

height ft	Undercarriage Outrigger	Reach in ft					
		15	20	25	30	35	40
45		13,000° 13,000°					
40			7,400° 7,400°	8,100° 8,100°			
35				6,300° 6,300°	6,300° 6,300°		
30				6,200° 6,200°	5,800° 5,800°	5,900° 5,900°	
25				6,500° 6,500°	6,000° 6,000°	5,500° 5,500°	
20				7,100° 7,100°	6,500° 6,500°	5,700° 5,700°	5,200° 5,200°
15			8,000° 8,000°	8,100° 8,100°	7,400° 7,400°	6,300° 6,300°	5,300° 5,200°
10		9,700° 9,700°	10,600° 10,600°	10,000° 10,000°	8,700° 8,100°	7,100° 6,400°	5,600° 5,200°
5		19,100° 19,100°	13,900° 13,900°	11,000° 10,200°	8,900° 7,800°	7,300° 6,200°	5,700° 5,100°
0		20,300° 20,300°	14,300° 13,500°	11,000° 9,800°	8,700° 7,600°	6,900° 6,100°	5,000° 5,000°
-5		15,600° 15,600°	13,600° 12,900°	10,400° 9,500°	8,000° 7,400°	6,100° 6,000°	3,700° 3,700°
-10		12,800° 12,800°	11,700° 11,700°	8,900° 8,900°	6,700° 6,700°	4,600° 4,600°	
-15			8,500° 8,500°	6,500° 6,500°			
							max. reach 42'2"
6							4,400° 4,400°

Recommended attachments on request

- Height
- Reach
- Center of rotation
- 4-point supported
- 2-point supported with blade

The lift capacity values are stated in imperial pounds (lbs) and are valid on the end of the extended telescope stage without attachment. The figures represent 75% of the static tipping load or 87% of the hydraulic lifting force, in accordance with ISO 10567 (marked *). On firm, level ground the values apply to a swing range of 360°. The weights of the attached hoisting equipment (grab, load hook, etc.) must be deducted from the carrying capacity values. The safe working load of the hoisting equipment must be observed. In accordance with EU Standard EN 474-5, hose rupture safety devices on the lift and dipperstick cylinders, an overload warning device, and a table of carrying capacity in the cab are required for hoisting. Hoisting should only be performed when the machine's outriggers are up.



www.terex-fuchs.com

February 2024. Product specifications and prices are subject to change without notice or obligation. The photographs and/or drawings in this document are for illustrative purposes only. Refer to the appropriate Operator's Manual for instructions on the proper use of this equipment. Failure to follow the appropriate Operator's Manual when using our equipment or to otherwise act irresponsibly may result in serious injury or death. The only warranty applicable to our equipment is the standard written warranty applicable to the particular product and sale and Terex makes no other warranty, express or implied. © Terex Corporation 2024 - Terex, the Terex Crown design, Fuchs and Works For You are trademarks of Terex Corporation or its subsidiaries.

Fuchs USA | 11001 Electron Drive | Louisville, KY 40299 | USA | Phone: +1 502 640 6001 | sales.fuchsus@terex.com

