

**TECHNICAL
SPECIFICATION**



MCT 21

TRACKED CONVEYOR



FUCHS[®]
A TEREX BRAND

MCT21 TRACKED CONVEYOR



OVERVIEW

Total Weight	13,820kg (30,468bs)	
Transport	Length	11.3m (37')
	Height	2.65m (8' 8")
	Width	2.25m (7' 4")
Working @ 24°	Length	19.06m (62' 6")
	Height	8.73m (28' 8")
	Width	2.25m (7' 4")
Power Unit	Tier 3: Deutz D2011 L04I 36.4kW (48hp) or, Tier 4F: Deutz TD 2.9 L04 45kW (60hp) or, Stage V: Deutz TD 2.9 L4 45kW (60hp)	

NOTE: Dimensions may differ slightly from sales drawings due to differences in angles / reference points.

FEATURES & BENEFITS

- High capacity up to 500tph (551 US tph).
- Maximum feed size up to 150mm (6").
- Eliminates the need for wheeled loaders to create stockpiles - reduces labour and maintenance costs.
- Eliminates the need for handling material multiple times - reduces labour and maintenance costs.
- Improved material quality due to reduced compaction, degradation, segregation and contamination.
- Can accept loads from multiple sources.
- Multiple hopper options available depending on required capacities and operators loading methods or application.
- Rapid set up time and manoeuvrability around site.
- Reduced fuel consumption due to reduced reliance on wheeled loaders.
- Reduced wear on wheeled loaders where a conveyor is utilised.
- Hydraulic folding head section.
- Tensioned polyurethane belt cleaner.
- Hydraulic feed in height adjustment.
- Hydraulic fold over for transport.
- Rosta scraper.
- 40 degree rollers.
- Variable speed conveyor via engine speed.
- Feedboot with removable 6mm steel wear liners.



Tier 3: Deutz DT011 36kW (45hp)
Tier 4F: Deutz TD2.9 45kW (60hp)
Stage V: Deutz TC 2.9 L4 45kW (60hp)
Fuel tank volume 200L (58 US GAL)

MCT21 TRACKED CONVEYOR



FEEDBOOT

Standard Feedboot Capacity:	0.6 m ³ (0.8yd ³)
Feed in Width:	1300mm (4' 3")
Extended Feedboot Capacity:	1.6m ³ (2.1yd ³)
Extended Feed in Width:	1850mm (6' 1")
Standard Min Feed Height @24°:	1336mm (4' 6")
Extended Min Feed Height @24°:	1634mm (5' 4")

DISCHARGE CONVEYOR

Width:	1050mm (42")
Belt Centres:	19.79m (64' 11")
Belt Type:	Plain
Belt Spec:	EP400 3 4+2
Drive Drum Dia:	286mm (11.3")
Tail Drum Dia:	270mm (10.6")
Max Belt Speed:	136m/m
Motor Size:	800cc
Operating Angle:	5° - 28°
Discharge Height @18°:	7.58m (24' 10")
Stockpile Capacity @18° & 37° Angle of Repose:	803m ³ (1050 Cu.Yd)
Discharge Height @28°:	9.45m (31')
Stockpile Capacity @28° & 37° Angle of Repose:	1556m ³ (2036 Cu.Yd)
Variable Speed:	Yes via engine speed

TRACKS

Shoe Width:	400mm (1' 4")
Sprocket Centre:	2900mm (9' 6")
Gradability:	30°
Speed:	0.9km/h
Speed High:	1.6km/h



POWER UNIT & HYDRAULICS

Engine (Tier 3):	Deutz D2011 L041
Power Rating:	36.4kW (48hp)
RPM:	2200rpm
Crankshaft Pump:	27/27

Engine (Tier 4F):	Deutz TD 2.9 L04
Power Rating:	45kW (60hp)
RPM:	2200rpm
Crankshaft Pump:	27/27

Engine (Stage V):	Deutz TD 2.9 L4
Power Rating:	45kW (60hp)
RPM:	2200rpm
Crankshaft Pump:	27/27

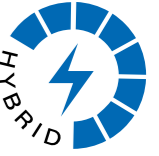
Diesel Tank Capacity:	200L (53 US GAL)
Hydraulic Tank Capacity:	260L (69 US GAL)

OPTIONS

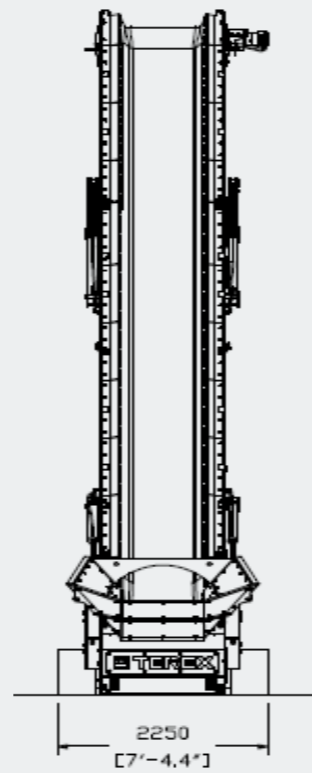
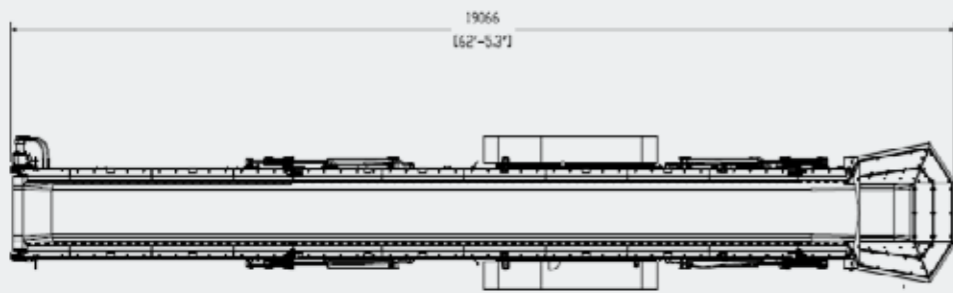
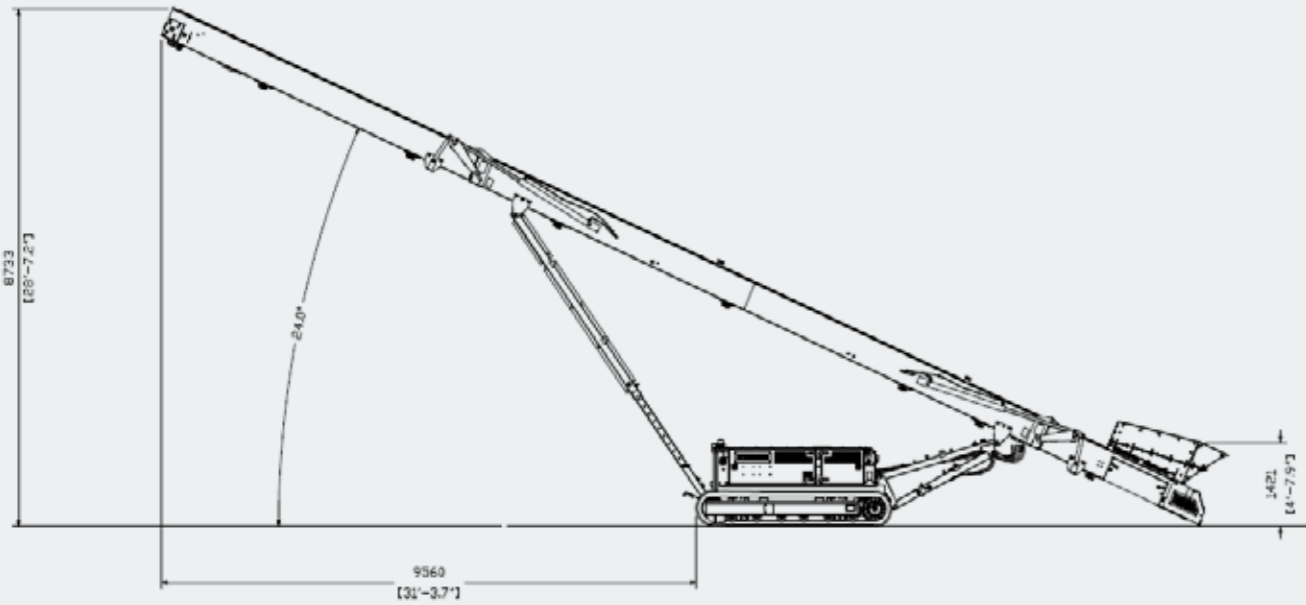
- 6mm AR400 steel wear feedboot liners
- 20mm rubber wear feedboot liners
- Feedboot extension c/w steel wear liners
- Feedboot extension c/w 20mm rubber wear liners
- Feedboot extension c/w 6mm AR400 steel wear liners
- Impact bed at feedboot area
- Impact rollers at feedboot area
- Large capacity biomass hopper (including landing legs and full length impact bed)
- Blade type / primary scraper
- Conveyor fitted with chevron belt EP315/3 Ply x 3 + 1.5 covers
- Conveyor fitted with heavy duty plain belt EP500 4 ply x 8+2 covers
- Conveyor under guard length of mid-section
- Conveyor head drum guarding
- Conveyor dust covers
- Conveyor water dust suppression (spray bar only)
- Conveyor full length skirting rubber
- Powerunit c/w hydraulic oil, Century 100 - (Recommended for ambient temperatures between +15 to +50°C)
- Radio remote control for tracking only
- Pull cord emergency stop to control panel side or non-control panel side
- Overband magnet option complete with hydraulic kit and support frames
- Twin hydraulic drive discharge conveyor
- Hybrid complete with electric drive conveyor
- Twin electric drive 2 x 11kW motors (400tph max) - hydraulic conveyor drive removed
- Anti-rollback flaps



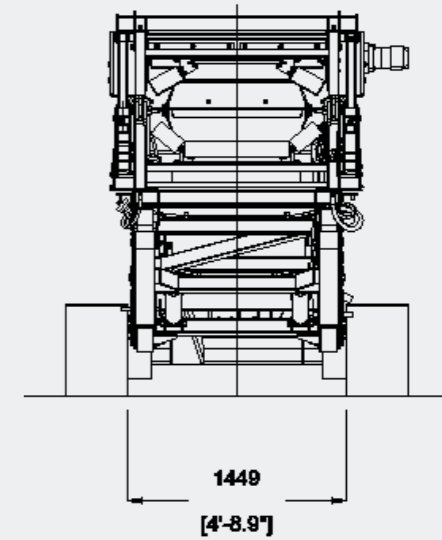
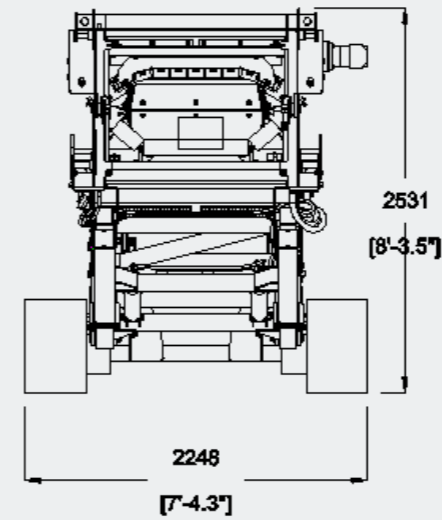
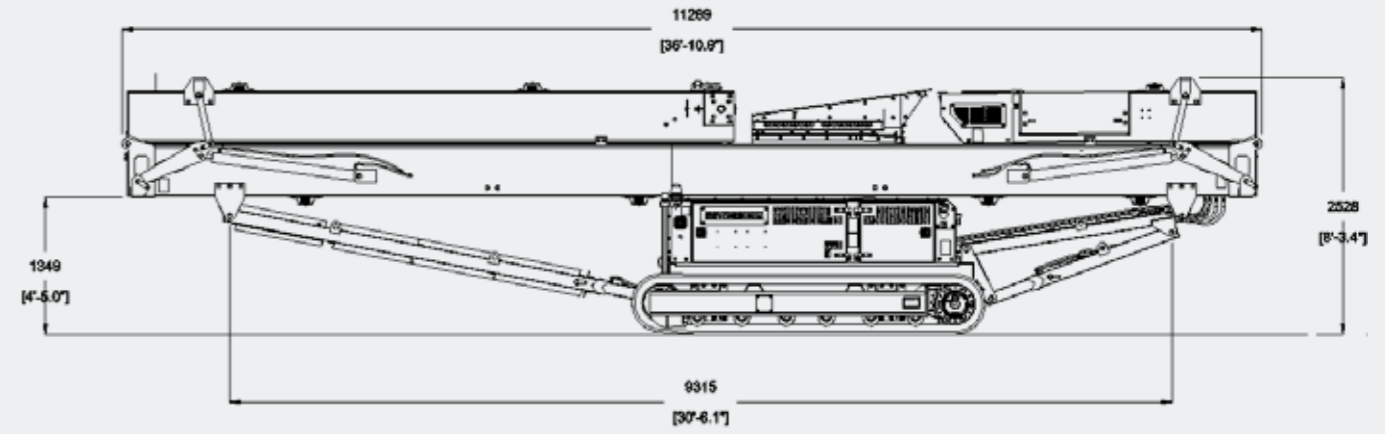
MCT21 TRACKED CONVEYOR



WORKING DIMENSIONS



TRANSPORT DIMENSIONS





FUCHS[®]

A TEREX BRAND

WORKS FOR YOU.[™]

www.terex-fuchs.com

August 2021. Product specifications and prices are subject to change without notice or obligation. The photographs and/or drawings in this document are for illustrative purposes only. Refer to the appropriate Operator's Manual for instructions on the proper use of this equipment. Failure to follow the appropriate Operator's Manual when using our equipment or to otherwise act irresponsibly may result in serious injury or death. The only warranty applicable to our equipment is the standard written warranty applicable to the particular product and sale and Terex makes no other warranty, express or implied.

© Terex Corporation 2021. Terex, the Terex Crown design, Fuchs and Works For You are trademarks of Terex Corporation or its subsidiaries.

Terex Deutschland GmbH | Industriestraße 3 | 76669 Bad Schönborn | Germany | Phone: +49 (0) 7253 84-0 | Fax: +49 (0) 7253 84-102 | Email: info.terex-fuchs@terex.com