

**TECHNICAL
SPECIFICATION**



MF24H

ORBITAL FEEDER

MF24H ORBITAL FEEDER

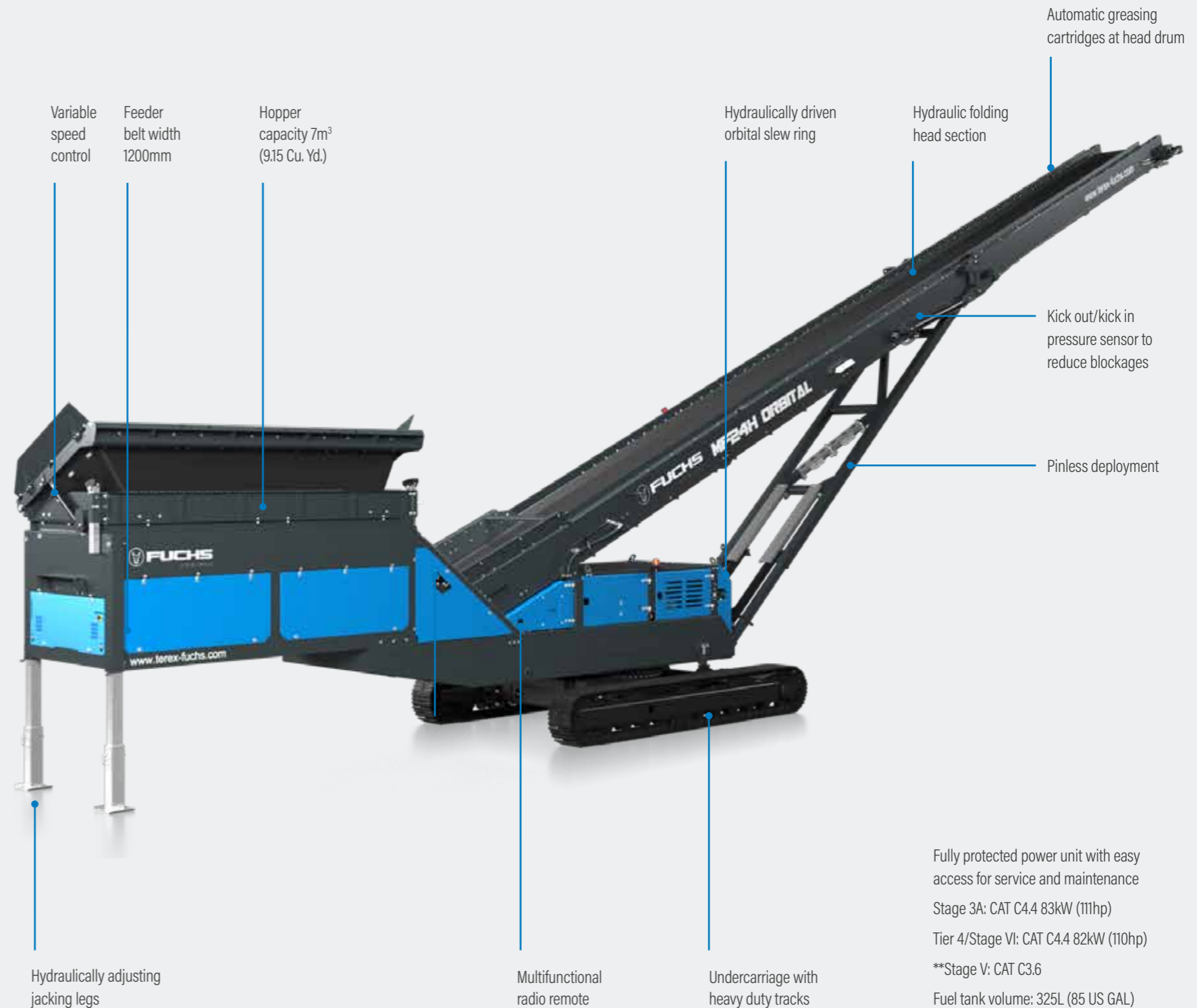
OVERVIEW

Total Weight	29,300kg (64,595lbs)	
Transport	Length	19.5m (63')
	Height	3.63m (11' 11")
	Width	3.2m (10' 6")
Working @ 24°	Length	25.5m (83' 7")
	Height	10.9m (35' 9")
	Width	3.2m (10' 6")
Power Unit	Tier 3: CAT 4.4 83kW (111hp) or, Tier 4F: CAT 4.4 82kW (110hp) or, Stage V: CAT 3.6 82kW (110hp)	

NOTE: Dimensions may differ slightly from sales drawings due to differences in angles / reference points.

FEATURES & BENEFITS

- High capacity up to 600tph (661 US tph).
- Maximum feed size up to 150mm (6").
- 360 degree stockpiling capability - increased stockpiling capacity without the need to move the machine.
- Transverse loading for rail cars and barges.
- Radio remote control to stop / start feeder, raise / lower conveyor, slew & track machine.
- Eliminates the need for wheeled loaders to create stockpiles - reduces labour and maintenance costs.
- Eliminates the need for handling material multiple times - reduces labour and maintenance costs.
- Improved material quality due to reduced compaction, degradation, segregation and contamination.
- Can except loads from an excavator, wheeled loader, crusher or screener.
- Multiple hopper options available depending on required capacities and operators loading methods or application.
- Rapid set up time and manoeuvrability around site.
- Reduced fuel consumption due to reduced reliance on wheeled loaders.
- Reduced wear on wheeled loaders where a conveyor is utilised.
- Hydraulic discharge height adjustment.
- Hydraulic fold over for transport.
- Rosta scraper.
- Kick out sensor stops feeder if discharge belt is under extreme load.
- Pinless deployment.
- Discharge conveyor head drum bearing automatic greasing.
- External conveyor belt adjustment.
- Engine pre-start delay & siren.
- Emergency stops x 3.



Fully protected power unit with easy access for service and maintenance
 Stage 3A: CAT C4.4 83kW (111hp)
 Tier 4/Stage VI: CAT C4.4 82kW (110hp)
 **Stage V: CAT C3.6
 Fuel tank volume: 325L (85 US GAL)

MF24H ORBITAL FEEDER

HOPPER & GRID

Grip Opening:	4750mm (15' 7") x 2150mm (7' 1")
Target Area (Without Grid):	4100mm (13' 5") x 1633mm (5' 5")
Grid Apertures:	108mm (4")
Optional Grid Apertures:	73mm (3"), 126mm (5"), 151mm (6")
Capacity (Tipping Grid Fitted):	7m ³ (9.15 Cu.Yd.)
Capacity (No Tipping Grid Fitted):	6.4m ³ (8.4 Cu.Yd.)
Feed In Height Without Tipping Grid:	3.06m (10')
Feed In Height With Tipping Grid:	3.75m (12' 4")

FEED CONVEYOR

Width:	1200mm (48")
Belt Type:	Plain
Belt Spec:	EP400/3 4+2
Variable Speed:	Yes

DISCHARGE CONVEYOR

Width:	1200mm (48")
Belt Centres:	22.5m (73' 10")
Belt Type:	Plain
Belt Spec:	EP400 3 4+2
Drive Drum Dia:	345mm (13.6")
Tail Drum Dia:	320mm (12.6")
Max Belt Speed:	113m/m
Motor Size:	630cc
Operating Angle:	5° - 24°
Discharge Height @18°:	8.8m (28' 2")
Stockpile Capacity @18° & 37° Angle of Repose:	1047m ³ (1369 Cu.Yd.)
Discharge Height @24°:	10.7m (34' 6")
Stockpile Capacity @24° & 37° Angle of Repose:	1957m ³ (2560 Cu.Yd.)
Variable Speed:	Yes

TRACKS

Shoe Width:	400mm (1' 4")	Gradability:	45.9°
Sprocket Centre:	4300mm (14' 1")	Speed:	0.6km/h
Outer Width:	3200mm (10' 6")	Speed High:	1.1km/h
		Speed High:	68Lpm (Per track)



POWER UNIT & HYDRAULICS

Engine (Tier 3):	CAT C4.4
Power Rating:	83kW (111hp)
RPM:	1800rpm
Crankshaft Pump:	38/38/8
Engine (Tier 4F):	CAT C4.4
Power Rating:	82kW (110hp)
RPM:	1800rpm
Crankshaft Pump:	38/38/8
Engine (Stage V):	CAT C3.6
Power Rating:	82kW (110hp)
RPM:	1800rpm
Crankshaft Pump:	38/38/8
Diesel Tank Capacity:	325L (86 US GAL)
Hydraulic Tank Capacity T3:	360L (95 US GAL)
Hydraulic Tank Capacity T4:	360L (95 US GAL)

OPTIONS

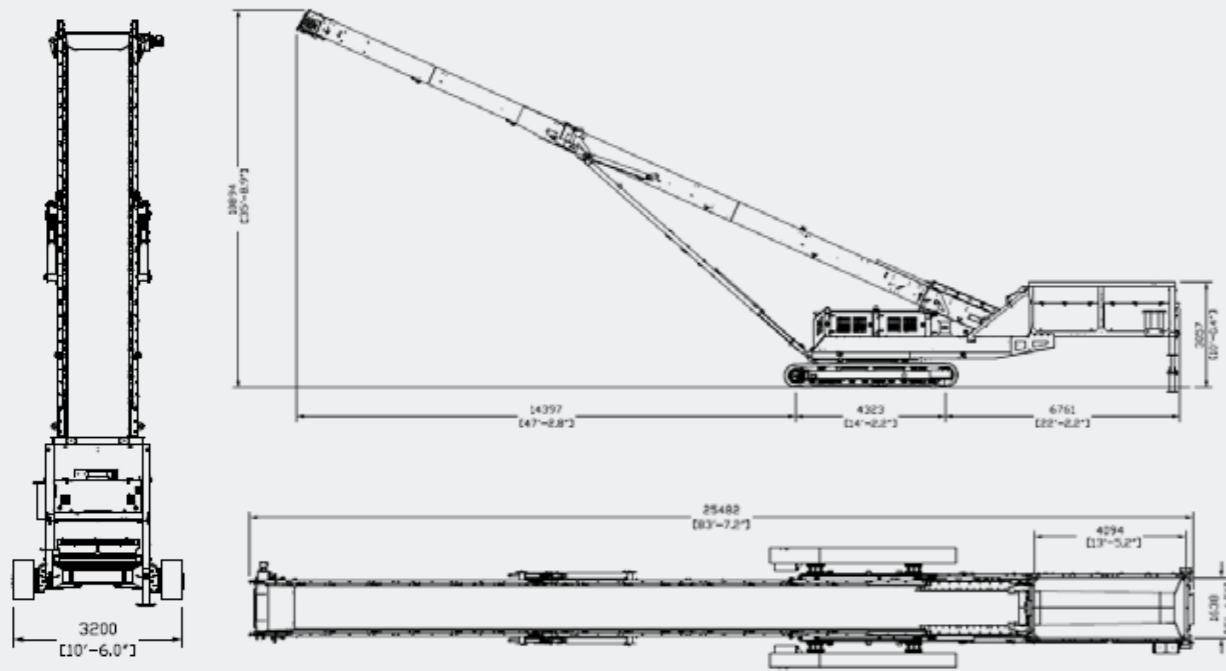
- Dust hood.
- Canvas dust covers complete with dust hood on discharge conveyor.
- Twin drive discharge conveyor.
- Full length skirting rubber along discharge conveyor.
- High spec head drum scraper on discharge conveyor (plain belt only).
- Anti-roll back flaps.
- Heavy duty plain belt EP500 4 ply x 8 + 2 covers
- Chevron belt EP315 3 ply x 3 + 1.5 covers.
- Ceramic lagging on discharge conveyor drive drum (recommended if twin drive option is selected).
- Ceramic lagging on feed conveyor drive drum.
- Discharge conveyor under guard for mid-section.
- Dust suppression (spray bars only).
- Belt weigher.
- Overband magnet on discharge conveyor with hydraulic kit and support frames.
- Grease lines to head drum.
- Pull cord E-Stop running the length of the conveyor.
- 6mm mild steel liners bolted into hopper.
- 6mm AR400 steel wear liners in hopper.
- Feedboot lined with 6mm AR400 wear plate.
- Twin drive feed conveyor.
- 4" or 6" tipping grid fitted to feed conveyor.
- Integrated fall break system bolted into hopper.
- 500mm (20") hopper extensions with fall break system in hopper.
- 700mm (28") hopper extensions with fall break system in hopper.
- Machine prepped hydraulically to tip a grid including remote control (no grid supplied).
- Machine prepped hydraulically for DDVG including remote control (no DDVG supplied).
- Grade ISO 68 hydraulic oil (recommended for ambient temperatures between +15 and +50 degrees Celsius).

DOUBLE DECK VIBRATING GRID

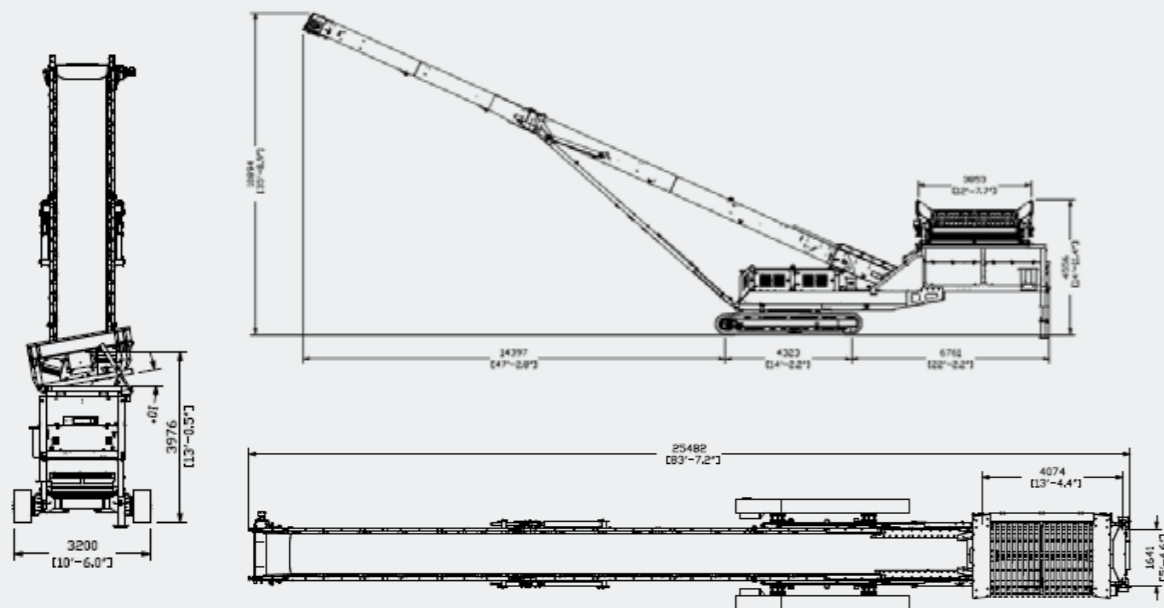
Type of Grid:	3.1m x 2.45m (10' 2" x 8') 2 Deck Vibrating Grid
Target Area:	3.91m x 2.42m (12' 9" x 7' 11")
Grid Opening:	3.03m x 2.17m (9' 11" x 7' 1")
Top Deck Type:	Tapered Bofor Bar
Standard Aperture:	90mm tapering to 110m (4")
Optional Apertures:	110mm - 130mm (5")
Bottom Deck Type:	Woven steel mesh
Standard Aperture:	38mm (1.5")
Working Angle:	10° - 20°
Tip Angle:	45°
Rear Feed In Height:	4220mm (13' 10") @ 10° / 4750mm (15') @ 20°
Weight:	5500kg (12,125lbs)
Speed:	1050rpm
Throw:	4.5mm
G Force:	2.77G
Increase In Transport Height:	+744mm (2' 7")

MF24H ORBITAL FEEDER

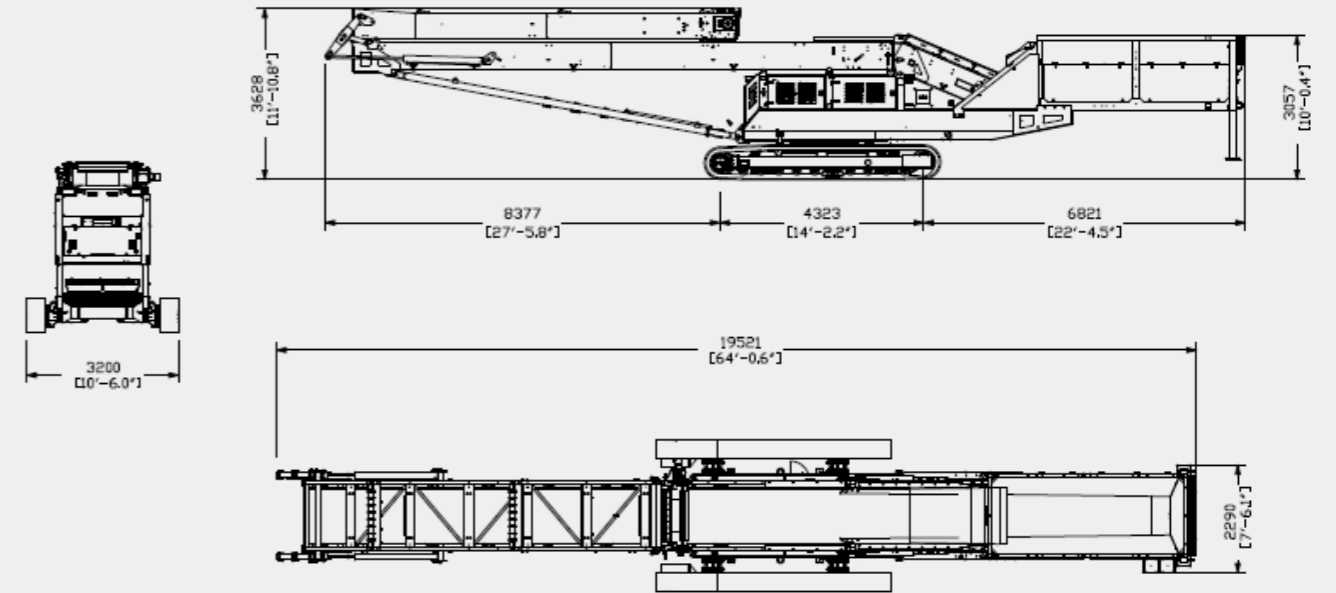
WORKING DIMENSIONS



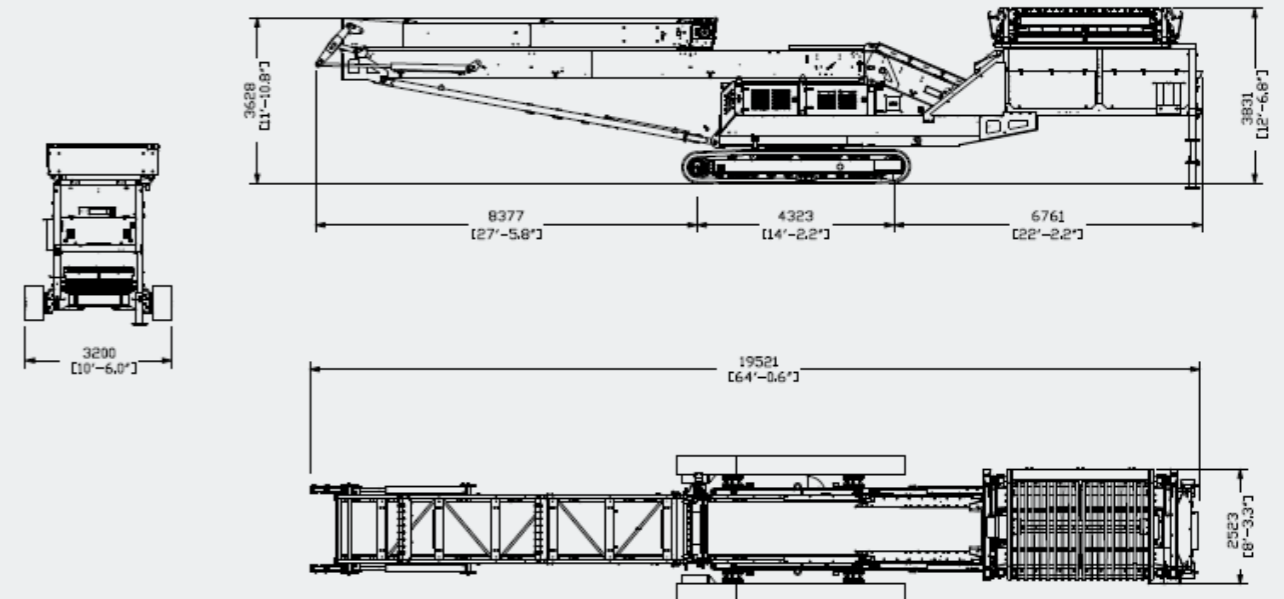
(Double Deck Vibrating Grid)



TRANSPORT DIMENSIONS



(Double Deck Vibrating Grid)





FUCHS[®]

A TEREX BRAND

WORKS FOR YOU.[™]

www.terex-fuchs.com

August 2021. Product specifications and prices are subject to change without notice or obligation. The photographs and/or drawings in this document are for illustrative purposes only. Refer to the appropriate Operator's Manual for instructions on the proper use of this equipment. Failure to follow the appropriate Operator's Manual when using our equipment or to otherwise act irresponsibly may result in serious injury or death. The only warranty applicable to our equipment is the standard written warranty applicable to the particular product and sale and Terex makes no other warranty, express or implied.

© Terex Corporation 2021. Terex, the Terex Crown design, Fuchs and Works For You are trademarks of Terex Corporation or its subsidiaries.

Terex Deutschland GmbH | Industriestraße 3 | 76669 Bad Schönborn | Germany | Phone: +49 (0) 7253 84-0 | Fax: +49 (0) 7253 84-102 | Email: info.terex-fuchs@terex.com