

ROLLER PAVER



Specifications:

Operating Weight	6,054 lbs / 2,746 kg
Engine Output	20 hp / 15 kw
Finishing Roller Length	4 ft / 1.2 m
Truss Size	24 in / 609.6 mm

Features:

- ▶ Maximum machine length of 60 ft / 18.28 m
- ▶ Patented Rota-Vibe® system
- ▶ Single chain carriage drive

WORKS FOR YOU.™

SPECIFICATIONS

POWER UNIT

Standard: Kohler gas engine	
Dry weight	90 lbs / 41 kg
Gross horsepower at 3,600 rpm	20 hp / 15 kw
Cooling	Air
Emissions	2011 Tier 4 EPA
Optional: Kubota diesel engine	20 hp / 15 kw

CARRIAGE

Standard: Kohler gas engine	20 hp / 15 kw
Optional: Kubota diesel engine	20 hp / 15 kw
Finishing rollers	Dual 4 ft / 1.2 m
Strike off auger	Dual 8 in / 20 cm Diameter
Rota-Vibe® drum	11.5 in / 29 cm

MACHINE FRAME

All welded steel frame for maximum strength with minimum weight	
Truss depth	24 in / 61 cm
Standard machine length	30.5 ft / 9.3 m
Maximum machine length	60 ft / 18.3 m
Maximum leg span	57 ft / 17.3 m
Minimum paving width	8 ft / 2.4 m
Maximum paving width	56 ft / 17 m

MACHINE LEGS

Leg crank machine raising and lowering	
Leg diameter	4 in / 10 cm
Maximum leg extension range	46 in / 1.16 m

FLUID CAPACITY

Power unit hydraulics	16.3 g / 60.5 L
Power unit fuel	13 g / 49 L
Carriage hydraulics	7.3 g / 27.6 L
Carriage fuel	20 g / 76 L



CARRIAGE

The 2450 paving carriage performs four functions to help finish your concrete deck or slab to job specifications:

- The augers forward of the carriage trim excess concrete.
- The patented Rota-Vibe® system consolidates the top 2.75 in / 6.9 cm of concrete
- The paving rollers finish the concrete
- The drag pan system seals and textures the deck

OPERATOR'S CONSOLE

The operator's console on the 2450 offers easy access to machine and carriage function controls. The operator has access to machine and carriage travel speed controls along with a manual shift lever for carriage reversing. Most accessories can also be controlled from the operator's console including power crown, power leg widening and carriage/drag pan fogging.

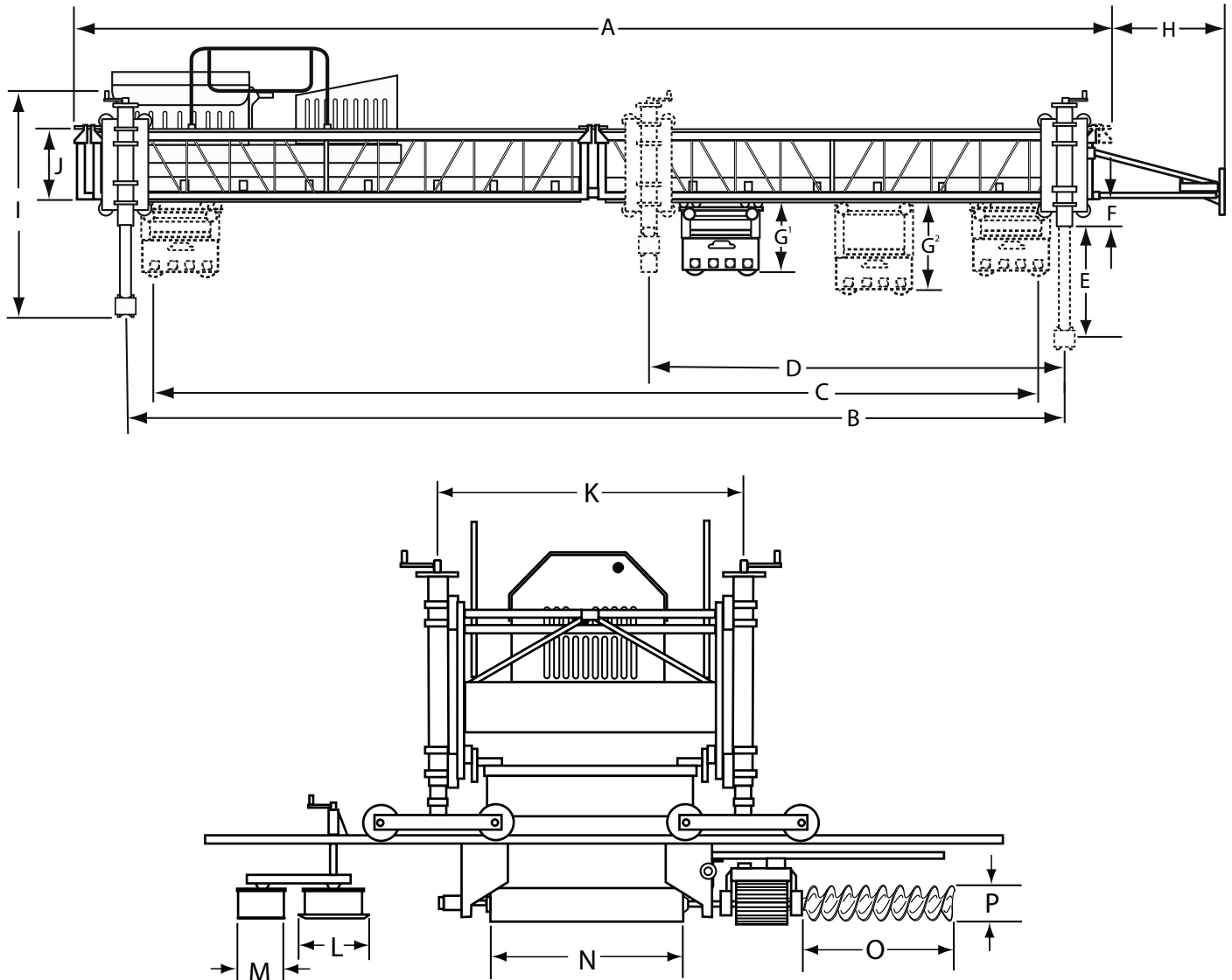
OVERLAYS

The Terex Bid-Well 2450 is an extremely effective paver for thin bonded overlay projects. Its light weight and smaller profile make it ideal for fitting into areas with tight clearances. The swing leg and traffic machine end options for the 2450 roller paver offer even more versatility for demanding overlay projects. The patented Rota-Vibe system provides optimal consolidation of overlay materials making the 2450 the choice for overlay contractors.

BEYOND BRIDGES

While the 2450 makes a very effective bridge and overlay paver, its size and weight also make it an ideal paver for new roads and flatwork. With a maximum span of 60 ft / 18.3 m, the Terex Bid-Well 2450 can tackle flatwork paving including warehouse floors and slabs with ease. An optional single spud vibrator for the carriage offers versatility in a concrete paver that cannot be achieved by a slipform and automatic operation that cannot be found with an A screed. Pave a bridge on Monday, a warehouse floor on Wednesday and residential street on Friday with a single machine.

STANDARD 2450 ROLLER PAVER



DIMENSIONS AND WEIGHTS*

Dimensions				Weights	
A	30.5 ft / 9.29 m	I	103 in / 2.61 m	Operating Weight	6,054 lbs / 2746 kg
B	27.5 ft / 8.5 m	J	24 in / 60.96 cm	Carriage	1,875 lbs / 850.5 kg
C	26.5 ft / 8.07 m	K	66 in / 1.68 m	Power Unit	1,175 lbs / 533 kg
D	12.25 ft / 3.75 m	L	33 in / 83 cm	Bogie Wheel (qty 4)	560 lbs / 252 kg
E	46 in / 1.16 m	M	19 in / 48.2 cm		
F	15 in / 38 cm	N	46 in / 1.16 m		
G ₁ G ₂ **	46 in / 1.1 m 51 in / 1.2 m	O	32 in / 81 cm		
H	54 in / 1.37 m	P	8 in / 20.3 cm		

*Standard machine is defined as a 30.5 ft / 9.29 m machine consisting of two 15 ft / 4.5 m truss sections, power unit, carriage, four standard 4 in / 10 cm legs and standard leg plates. Terex Bid-Well is not responsible for miscalculated wheel load weights based on the above information. For the most current wheel load weight calculators and machine weights please contact the Terex Bid-Well Service Department at 1-800-843-9824.

** G₁ represents carriage retracted | G₂ represents carriage extended on cylinder for a stock machine. An additional 15 in / 38.1 cm of carriage extension is built into the carriage frame.

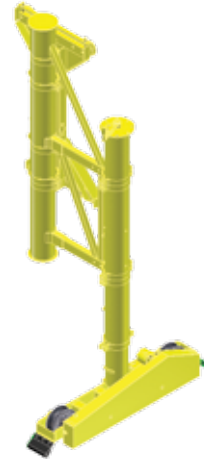
WORKS FOR YOU.™

ACCESSORIES

Terex Bid-Well offers a large selection of options and accessories for the 2450 model roller paver ranging from power crown adjustment and carriage fogger to weight distribution systems and traffic machine ends for skewed paving. Shown are just a few of the options available for contractors to fit their 2450 to meet any job specification. For more information on available options and accessories for the 2450 model roller paver contact your regional sales representative or the Terex Bid-Well Service Department at 1-800-843-9824.



POWER CROWN ADJUSTOR



6 IN / 15 CM SWING LEG



4 WHEEL TRAVEL DOLLY

www.bid-well.com

Effective Date: June 2011. Product specifications and prices are subject to change without notice or obligation. The photographs and/or drawings in this document are for illustrative purposes only. Refer to the appropriate Operator's Manual for instructions on the proper use of this equipment. Failure to follow the appropriate Operator's Manual when using our equipment or to otherwise act irresponsibly may result in serious injury or death. The only warranty applicable to our equipment is the standard written warranty applicable to the particular product and sale and Terex makes no other warranty, express or implied. Products and services listed may be trademarks, service marks or trade-names of Terex Corporation and/or its subsidiaries in the USA and other countries. All rights are reserved. Terex is a registered trademark of Terex Corporation in the USA and many other countries. Copyright 2011 Terex Corporation.

Terex Bid-Well PO Box 97, Canton, SD 57013 USA
Tel +1 605 987 2603 Fax +1 605 987 2605 www.bid-well.com



TEREX | **BID-WELL**