

ROLLER PAVER



Specifications:

Operating Weight	7,460 lbs / 3,384 kg
Engine Output	20 hp / 15 kw
Finishing Roller Length	4 ft / 1.2 m
Truss Size	36 in / 91 cm

Features:

- ▶ Maximum machine length of 90 ft / 27.4 m
- ▶ Capable of paving skewed decks up to 55 degrees
- ▶ Dual chain carriage drive
- ▶ Ditch and slope paving variations available

WORKS FOR YOU.™

SPECIFICATIONS

POWER UNIT

Standard: Kohler gas engine	
Dry weight	90 lbs / 41 kg
Gross horsepower at 3,600 rpm	20 hp / 15 kw
Cooling	Air
Emissions	2011 Tier 4 EPA
Optional:	27 hp / 20 kw gas Kohler or 20 hp / 15 kw diesel Kubota

CARRIAGE

Standard: Kohler gas engine	20 hp / 15 kw
Optional:	27 hp / 20 kw gas Kohler or 20 hp / 15 kw diesel Kubota
Finishing rollers	Dual 4 ft / 1.2 m
Strike off auger	Dual 8 in / 20 cm Diameter
Rota-Vibe® drum	11.5 in / 29 cm

MACHINE FRAME

All welded steel frame for maximum strength with minimum weight	
Truss depth	36 in / 91 cm
Standard machine length	36.5 ft / 11.2 m
Maximum machine length	90 ft / 27.4 m
Maximum leg span	87 ft / 26.5 m
Minimum paving width	8 ft / 2.4 m
Maximum paving width	86 ft / 26.1 m

MACHINE LEGS

Standard heavy duty leg plates	
Leg diameter	4 in / 10 cm
Maximum Leg extension range	46 in / 1.16 m

FLUID CAPACITY

Power unit hydraulics	16.3 g / 60.5 L
Power unit fuel	13 g / 49 L
Carriage hydraulics	7.3 g / 27.6 L
Carriage fuel	20 g / 76 L



CARRIAGE

The 3600 paving carriage performs four functions to help finish your concrete deck or slab to job specifications:

- The augers forward of the carriage trim excess concrete.
- The patented Rota-Vibe® system consolidates the top 2.75 in / 6.9 cm of concrete
- The paving rollers finish the concrete
- The drag pan system seals and textures the deck

OPERATOR'S CONSOLE

The operator's console on the 3600 offers easy access to machine and carriage function controls. The operator has access to machine and carriage travel speed controls along with a manual shift lever for carriage reversing. Most accessories can also be controlled from the operator's console including power crown, power up and down leg adjustment, power leg widening and carriage/drag pan fogging.

VERSATILITY

The 3600 is a versatile concrete paving machine. Not only is it capable of efficiently paving bridges, but with the proper accessories can also be used to tackle the toughest road paving projects. With a multitude of available accessories, the 3600 Automatic Roller Paver can be outfitted to meet almost any job specifications.

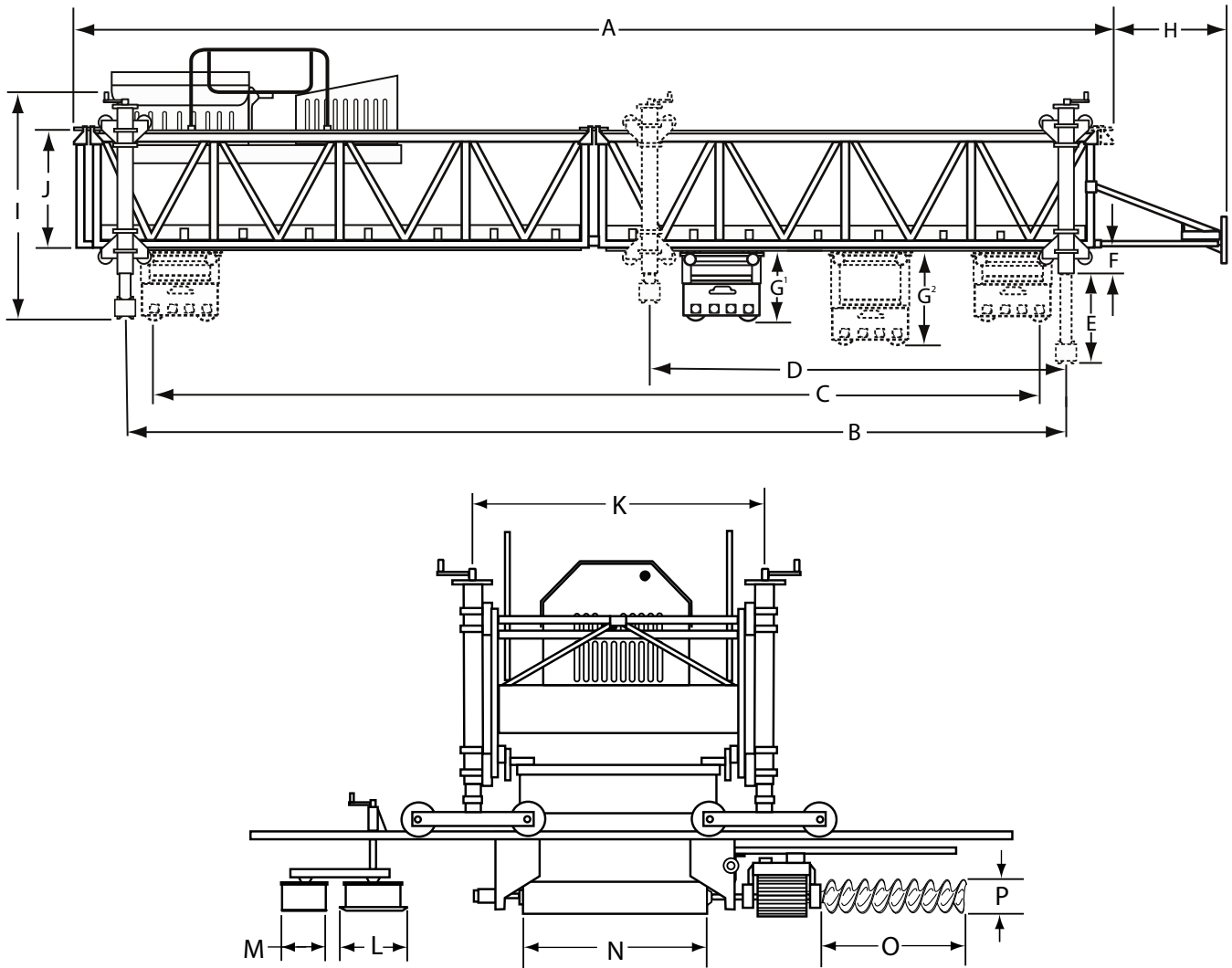
SETTING THE STANDARD

With paving widths ranging from 8 ft / 2.4m to 86 ft / 26.1 m the Terex Bid-Well 3600 roller paver is the ideal mid-sized roller paver for bridges, roads and flatwork; however, the 3600 is also a versatile side slope and ditch paver with the DP3600 and SP3600 variations available. This level of versatility is why Terex Bid-Well sets the standard in concrete paving and is just another way Terex Bid-Well Works For You.



TEREX | **BID-WELL**

STANDARD 3600 ROLLER PAVER



DIMENSIONS AND WEIGHTS*

Dimensions			Weights		
A	36.5 ft / 11.12 m	I	103 in / 2.6 m	Operating Weight	7,460 lbs / 3,384 kg
B	33.5 ft / 10.2 m	J	36 in / 91 cm	Carriage	2,371 lbs / 1,075.5 kg
C	32.5 ft / 9.91 m	K	67.4 in / 2.4 m	Power Unit	1,275 lbs / 578 kg
D	15.25 ft / 4.6 m	L	33 in / 83 cm	Bogie Wheel (qty 4)	495 lbs / 224.5 kg
E	46 in / 1.16 m	M	19 in / 48 cm		
F	15 in / 38 cm	N	46 in / 1.1 m		
G ₁ G ₂ **	53.5 in / 1.3 m 58.5 in / 1.4 m	O	32 in / 81 cm		
H	54 in / 137 cm	P	8 in / 20 cm		

*Standard machine is defined as a 36.5 ft / 11.12 m machine consisting of two 18 ft / 5.4 m truss sections, power unit, carriage, four standard 4 in / 10.4 cm legs and leg plates. Terex Bid-Well is not responsible for miscalculated wheel load weights based on the above information. For the most current wheel load weight calculators and machine weights please contact the Terex Bid-Well Service Department at 1-800-843-9824.

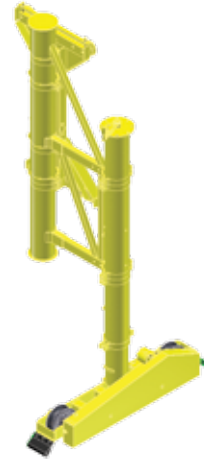
** G₁ represents carriage retracted | G₂ represents carriage extended on cylinder for a stock machine

ACCESSORIES

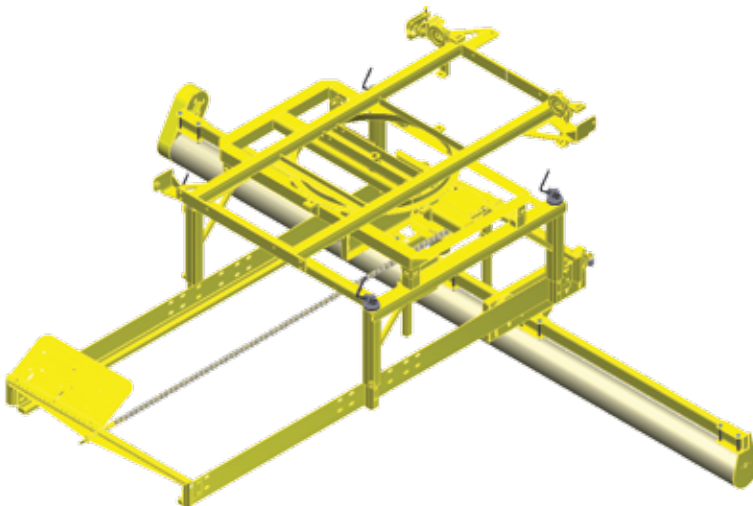
Terex Bid-Well offers a large selection of options and accessories for the 3600 model roller paver ranging from power crown adjustment and carriage foggers to weight distribution systems and traffic machine ends for skewed paving. Shown are just a few of the options available for contractors to fit their 3600 to meet any job specification. For more information on available options and accessories for the 3600 model roller paver contact your regional sales representative or the Terex Bid-Well Service Department at 1-800-843-9824.



POWER CROWN ADJUSTOR



4 IN / 10 CM SWING LEG



SKEWABLE SIDEWALK PAVER



4 WHEEL TRAVEL DOLLY

www.bid-well.com

Effective Date: June 2011. Product specifications and prices are subject to change without notice or obligation. The photographs and/or drawings in this document are for illustrative purposes only. Refer to the appropriate Operator's Manual for instructions on the proper use of this equipment. Failure to follow the appropriate Operator's Manual when using our equipment or to otherwise act irresponsibly may result in serious injury or death. The only warranty applicable to our equipment is the standard written warranty applicable to the particular product and sale and Terex makes no other warranty, express or implied. Products and services listed may be trademarks, service marks or trade-names of Terex Corporation and/or its subsidiaries in the USA and other countries. All rights are reserved. Terex is a registered trademark of Terex Corporation in the USA and many other countries. Copyright 2011 Terex Corporation.

Terex Bid-Well PO Box 97, Canton, SD 57013 USA
Tel +1 605 987 2603 Fax +1 605 987 2605 www.bid-well.com

