

ROLLER PAVER



Specifications:

Operating Weight	9,027 lbs / 4,062 kg
Engine Output	23 hp / 17 kw
Finishing Roller Length	5 ft / 1.5 m
Truss Size	48 in / 1.2 m

Features:

- ▶ Maximum machine length of 120 ft / 36.5 m
- ▶ Standard power machine raising and lowering
- ▶ Capable of paving skewed decks up to 55 degrees
- ▶ Dual chain carriage drive

WORKS FOR YOU.™

SPECIFICATIONS

POWER UNIT

Standard: Kohler gas engine	
Dry weight	90 lbs / 41 kg
Gross horsepower at 3,600 rpm	23 hp / 17 kw
Cooling	Air
Emissions	2011 Tier 4 CARB EPA
Optional:	27hp / 20 kw gas Kohler 20hp / 15kw diesel Kubota

CARRIAGE

Standard: Kohler gas engine	23 hp / 17 kw
Optional:	27hp / 20 kw gas Kohler 20hp / 15kw diesel Kubota
Finishing rollers	Dual 5 ft / 1.5 m
Strike off auger	Dual 8 in / 20 cm Diameter
Rota-Vibe® drum	11.5 in / 29 cm

MACHINE FRAME

All welded steel frame for maximum strength with minimum weight	
Truss depth	48 in / 1.2 m
Standard machine length	36 ft / 10.9 m
Maximum machine length	120 ft / 36.6 m
Maximum leg span	117 ft / 35.7 m
Minimum paving width	12 ft / 3.6 m
Maximum paving width	116 ft / 35 m

MACHINE LEGS

Standard hydraulically powered machine raising and lowering	
Leg diameter	6 in / 15 cm
Maximum leg extension range	54.5 in / 1.25 m

FLUID CAPACITY

Power unit hydraulics	16.3 g / 60.5 L
Power unit fuel	13 g / 49 L
Carriage hydraulics	13.3 g / 50 L
Carriage fuel	20 g / 76 L



CARRIAGE

The 4800 paving carriage performs four functions to help finish your concrete deck or slab to job specifications:

- The augers forward of the carriage trim excess concrete.
- The patented Rota-Vibe® system consolidates the top 2.75 in / 6.9 cm of concrete
- The paving rollers finish the concrete
- The drag pan system seals and textures the deck

OPERATOR'S CONSOLE

The operator's console on the 4800 offers easy access to machine and carriage function controls. The operator has access to power legs, machine and carriage travel speed controls along with a manual shift lever for carriage reversing. Most accessories can also be controlled from the operator's console including power crown, internal concrete vibration system, power leg widening and carriage/drag pan fogging.

ANY SITUATION

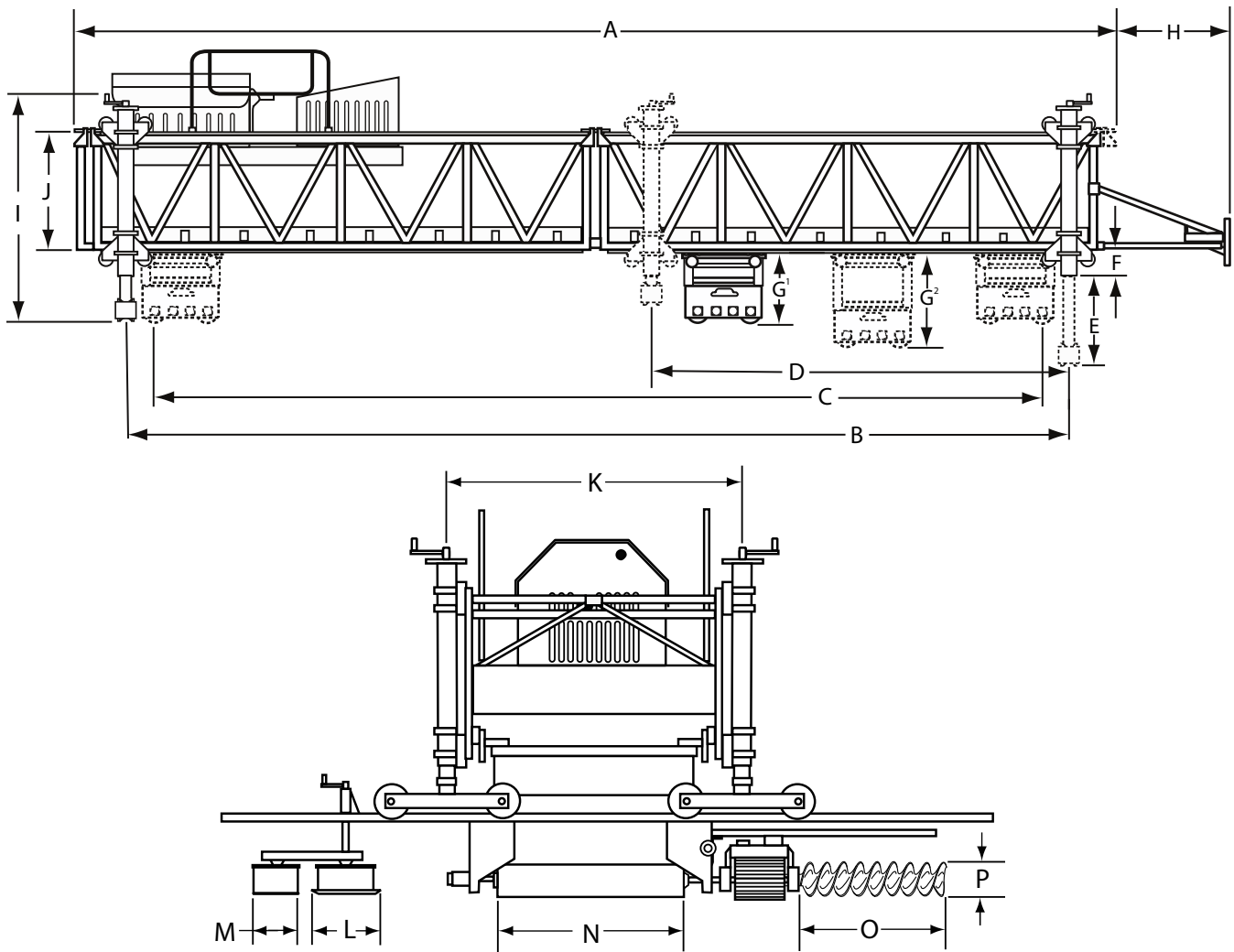
The 4800 shares the same versatility as the 2450 and 3600 model pavers while providing larger machine spans and more standard accessories. It's capable of paving bridge decks, flatwork, roads, side slopes and highways with minimal set up time and the type of flexibility that is not available with a slipform. The 4800 has also been used for a variety of special applications, from gravel barge leveling to paving tank bottoms and dam faces. If you have a unique application, let us know and we can design a machine to fit your job specifications.

RAISING THE BAR

If the 4800's maximum span of 160 ft / 36.8 m is not long to meet your job specifications, the Terex Bid-Well Engineering Department can assist you with a custom machine configuration. With factory consultation, the 4800 is capable of reaching spans up to 200 ft / 61m providing a maximum paving width of up to 196 ft / 60 m. This type of configuration is ideal for very large, heavily skewed decks, or paving multiple lanes simultaneously with multiple carriages.



STANDARD 4800 ROLLER PAVER



DIMENSIONS AND WEIGHTS*

Dimensions				Weights	
A	36.5 ft / 11.12 m	I	111 in / 2.8 m	Operating Weight	10,473 lbs / 4,750.5 kg
B	33.5 ft / 10.21 m	J	48 in / 1.2 m	Carriage	3,282 lbs / 1,476 kg
C	32.5 / 9.91 m	K	97 in / 2.5 m	Power Unit	1,251 lbs / 562 kg
D	15.25 ft / 4.6 m	L	33 in / 83 cm	Bogie Wheel (qty 4)	560 lbs / 252 kg
E	54.5 in / 1.38 m	M	19 in / 48 cm		
F	15 in / 38 cm	N	60 in / 1.5 m		
G ₁ G ₂ **	58 in / 1.4 m 63 in / 1.6 m	O	32 in / 81 cm		
H	52 in / 1.32 m	P	8 in / 20 cm		

*Standard machine is defined as a 36.5 ft / 11.12 m machine consisting of two 18 ft / 5.4 m truss sections, power unit, carriage, four standard power up and down 6 in / 15 cm legs and leg plates. Terex Bid-Well is not responsible for miscalculated wheel load weights based on the above information. For the most current wheel load weight calculators and machine weights please contact the Terex Bid-Well Service Department at 1-800-843-9824.

** G₁ represents carriage retracted | G₂ represents carriage extended on cylinder for a stock machine.

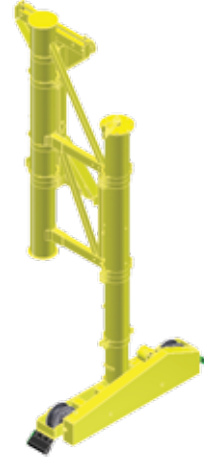
WORKS FOR YOU.™

ACCESSORIES

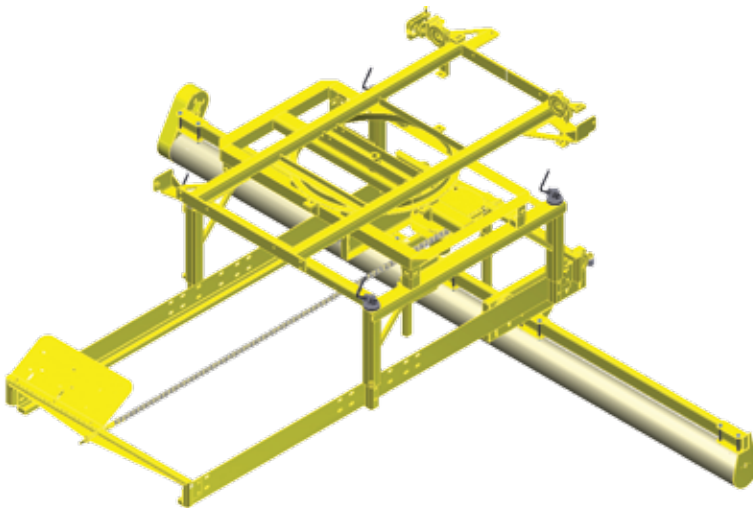
Terex Bid-Well offers a large selection of options and accessories for the 4800 model roller paver ranging from power crown adjustment and carriage foggers to weight distribution systems and traffic machine ends for skewed paving. Shown are just a few of the options available for contractors to fit their 4800 to meet any job specification. For more information on available options and accessories for the 4800 model roller paver contact your regional sales representative or the Terex Bid-Well Service Department at 1-800-843-9824.



POWER CROWN ADJUSTOR



6 IN / 15 CM SWING LEG



SKEWABLE SIDEWALK PAVER



4 WHEEL TRAVEL DOLLY

www.bid-well.com

Effective Date: June 2011. Product specifications and prices are subject to change without notice or obligation. The photographs and/or drawings in this document are for illustrative purposes only. Refer to the appropriate Operator's Manual for instructions on the proper use of this equipment. Failure to follow the appropriate Operator's Manual when using our equipment or to otherwise act irresponsibly may result in serious injury or death. The only warranty applicable to our equipment is the standard written warranty applicable to the particular product and sale and Terex makes no other warranty, express or implied. Products and services listed may be trademarks, service marks or trade-names of Terex Corporation and/or its subsidiaries in the USA and other countries. All rights are reserved. Terex is a registered trademark of Terex Corporation in the USA and many other countries. Copyright 2011 Terex Corporation.

Terex Bid-Well PO Box 97, Canton, SD 57013 USA
Tel +1 605 987 2603 Fax +1 605 987 2605 www.bid-well.com



TEREX | **BID-WELL**