



# Summary

**Project Name:** Aftermarket Labeling Drawing and Decal

**Scope:** Create Decal Kits and Instructions to show market specific decals

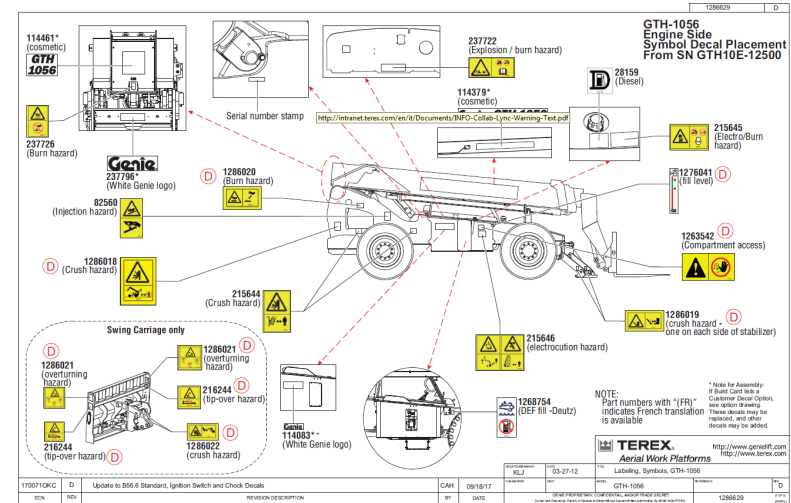
**Software:** Corel Suite, Solidworks, MS office

Using the labeling drawings, further creates the “Decal Kits” to show market specific decals

For this purpose, we use designated decal kit template

**The Decal kits will have the following information:**

- Model name
- Decal Kit Number and its revision
- Separate instruction number for each market
- Separate Bill of material (BOM) for each market
- All the pages of the labeling drawings



## Installation Instructions

### Decal Kit, Complete, Word ANSI & AUS

#### SX-135

Market	Description	Kit Number
SX-135	ANSI	1278675
SX-135	AUS	1278677

#### Introduction

The set of instructions are to be included with the decal kit. The purpose of this document is to provide you with the information you need to know to properly install the decals on your machine. These instructions apply only to the products listed in the table below. Please refer to the correct decal kit for the correct decal location.

Do not separate your instructions and the correct decals have been applied.

- Read the procedure completely and adhere to the instructions. Adhering incorrectly may produce poor results.
- Allow for proper, total and complete adhesion in order to avoid peeling or bubbling of the decals. Do not use any solvents or abrasives associated with cleaning the machine.
- Maintenance decals in good condition is mandatory for safe machine operation.
- To confirm you have the correct kit, refer to the serial plate or serial label on the machine, and then refer to the decal kit serial range listed in the instructions.
- Install only the model and serial specific decals from the provided decal kit. Do not use other decals that are not included.
- Do not use any other labels or markings for the platform or ground control panels. They must be replaced immediately.
- Decal kits may include optional decals that do not apply to the machine.
- Decal kits do not include decals for many specific machine options that occur. An asterisk (\*) next to included Decal may mean optional availability.

#### Before Starting Installation

Read, understand and obey the safety rules and operating instructions in the appropriate operator's manual.

\*Do not use any of the necessary tools and parts are available at the local dealer.

- Read the procedure completely and adhere to the instructions. Adhering incorrectly may produce poor results.

- Allow for proper, total and complete adhesion in order to avoid peeling or bubbling of the decals. Do not use any solvents or abrasives associated with cleaning the machine.
- Maintenance decals in good condition is mandatory for safe machine operation.
- To confirm you have the correct kit, refer to the serial plate or serial label on the machine, and then refer to the decal kit serial range listed in the instructions.
- Install only the model and serial specific decals from the provided decal kit. Do not use other decals that are not included.
- Do not use any other labels or markings for the platform or ground control panels. They must be replaced immediately.
- Decal kits may include optional decals that do not apply to the machine.
- Decal kits do not include decals for many specific machine options that occur. An asterisk (\*) next to included Decal may mean optional availability.

#### Tools required

See Dealer

Soft Cloth Cloth

Isopropyl

#### Procedure

1. Follow the procedure with the machine on a firm, level surface.

2. Remove the possible debris from the building and clean the machine thoroughly in order to be in a good condition. Apply the decal in the correct orientation into the surface of the machine.

3. Use a squeegee to secure the decal to the surface and remove any air bubbles. Do not stretch the decal. Please refer to the operator's manual.

If you have any further questions regarding these instructions or need assistance, please contact the Genie Service Department or one of the following independent distributors:

- Genie North America: 408-881-1800
- USA and Canada: 800-536-5030
- Europe: 0044-1203-580-033
- France: 0033-23-68-58-033
- Germany: 0049-4221-99-121
- Spain: 0034-91-541-8711
- Slovakia: 0048-712-214-711
- Other countries: 0042-120-230-033
- Wolke East: 0067-102-249-7037
- 011-202-644-011
- All other locations: 001-426-581-1900