



863



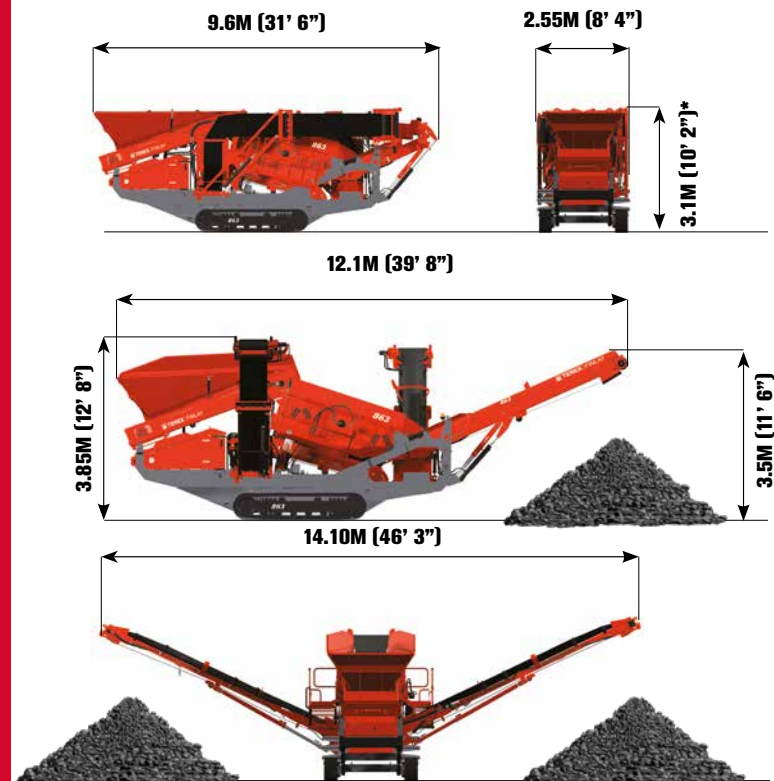
The Terex Finlay 863 mobile tracked heavy duty screen is a compact and aggressive forward facing screen. This flexible and mobile plant can work in aggregates, sand and gravel, top soil, construction demolition and recycling applications where site space is at a premium. The fully self-contained plant can be hydraulically folded and ready for transport in less than an hour making it the ideal machine for contract screening. The plant has the capacity to process at a rate of up to 280 tonnes per hour and can be fed either by a tracked mobile crusher or an excavator.

KEY FEATURES

- Aggressive screen box can accept bofor bars, screen-harps, woven mesh, punch plate and cascade fingers.
- Screen box angle can be hydraulically adjusted to an angle between 14° to 18°.
- Screen box discharge end can be hydraulically raised 500mm to facilitate efficient and easy media access and changing.
- Oversize conveyor angle can be hydraulically adjusted from 15° to 24°.



TRANSPORT & WORKING



WEIGHT

18,300KG (40,350LBS) WITH BELT FEEDER

