

**693+**

**INCLINED SCREEN**



**STRONG HERITAGE, STRONG FUTURE**

 **FINLAY**<sup>®</sup>  
A TEREX BRAND

# 693+

## INCLINED SCREEN



The Finlay® 693+ inclined screen has been developed to fulfill the demands of high production producers in quarrying, mining, sand and gravel, coal, woodchip and topsoil applications.

The new high energy screenbox features two full size 6.1m x 1.53m (20' x 5') decks that can process fine, sticky and dirty material with ease. The large hopper / feeder is fitted with variable speed belt feeder to ensure consistent flow of material and can be fitted with remote tipping grid or double deck vibrating grid.

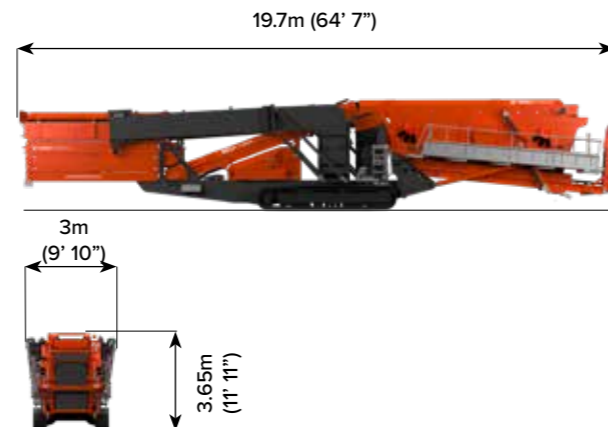
The hydraulics system has been upgraded to provide the optimum balance of power and efficiency and the powerpack designed to operate at lower engine speeds to raise cost-efficiency in the long term without compromising on performance.

The model is available with hybrid technology consisting of on-board electrical motors permitting the flexibility to run the plant from an outside power supply or standard on-board engine.

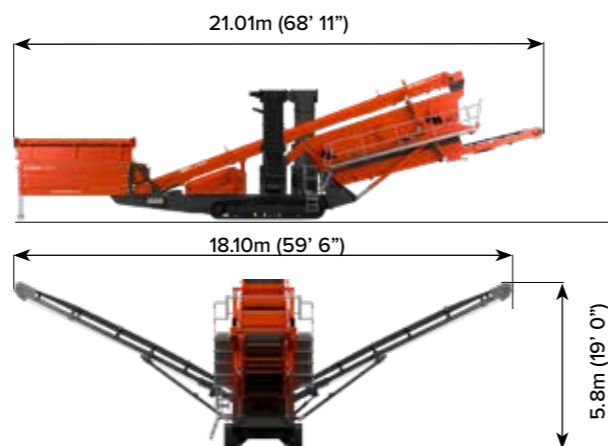
### FEATURES:

- Simplified and reconfigured folding mechanism for the onboard product conveyors for ease of deployment and user-friendly operation.
- Hydraulic folding catwalks as standard for improved onsite efficiency and to enable rapid screenbox deployment.
- Maximum utilisation of two 20' x 5' (6.1m x 1.53m) decks provide ultra-efficient screening capacities even at small aggregate sizes.
- Screen box angle can be hydraulically adjusted to an angle between 18° and 30°.
- T-Link telematics hardware and software along with free seven year data subscription are fitted and installed as standard.

### TRANSPORT DIMENSIONS



### WORKING DIMENSION



**MACHINE WEIGHT:** 33,050kg (72,900lbs)\*  
WITH TIPPING GRID

### 1 HOPPER/FEEDER

Hopper Capacity: 8m<sup>3</sup> (10.5yd<sup>3</sup>)  
Feed height: 2.5m (8' 2") - no grid  
Feed in width: 4.2m (13' 9")  
Beltfeeder belt width: 1.2m (48")

### 2 OVERSIZE PLUS CONVEYOR

Belt width: 800mm (32")  
Working Angle: 22°  
Hydraulic Folding  
Discharge Height: 5.1m (16' 9")

### 3 MAIN CONVEYOR

Belt width: 1.2m (48")  
Hydraulic discharge height adjustment  
Steel skirted full length of conveyor

### 4 MIDGRADE CONVEYORS

Belt width: 800mm (32")  
Working Angle: 22°  
Hydraulic Folding  
Discharge Height: 5.1m (16' 9")

### 5 SCREENBOX

All decks: 6.1m x 1.53m (20' x 5')  
Hydraulic Folding Catwalks  
Screen Angle: 18° - 32°, hydraulic adjust  
Total screening area: 18.7m<sup>2</sup> (200ft<sup>2</sup>)

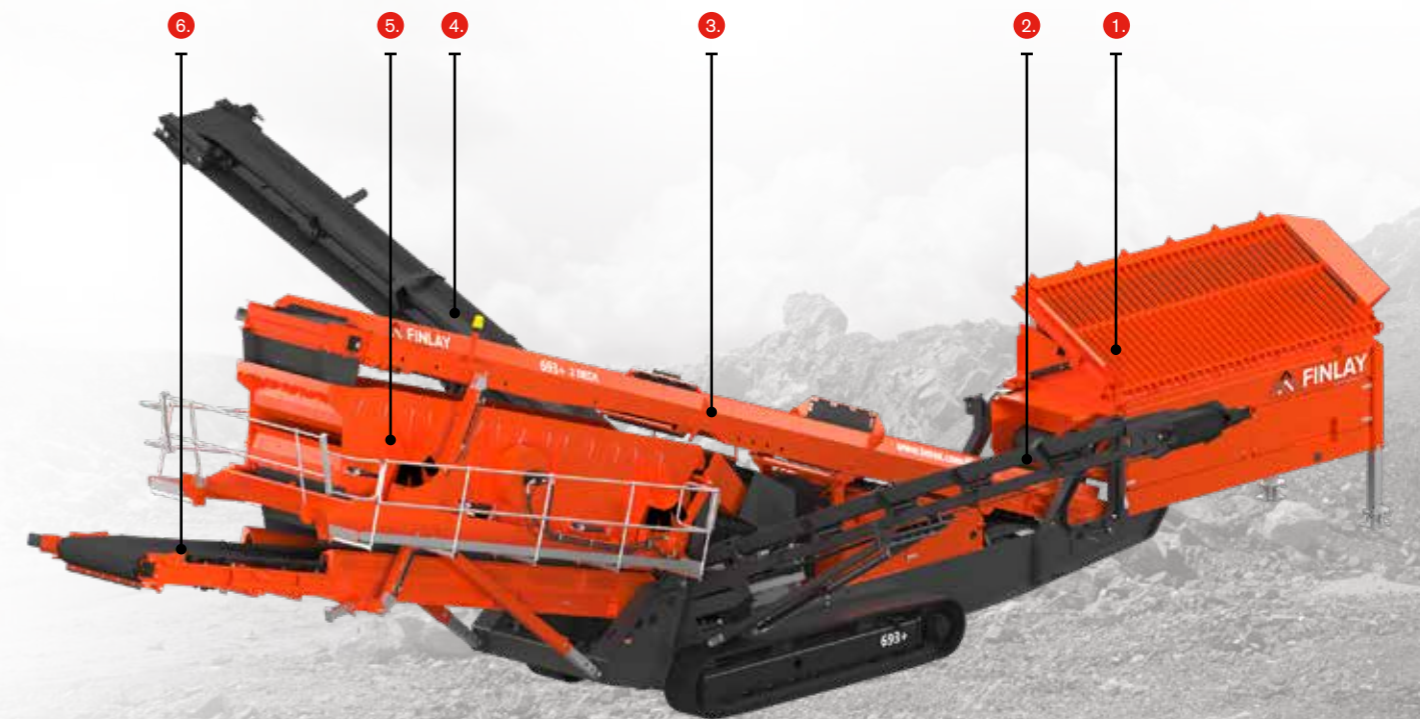
### 6 FINES CONVEYOR

Belt width: 1.2m (48")  
Working Angle: Variable 27.5° (Max)  
Standard Discharge Height: 5.5m (18' 1")  
Stockpile capacity: 159m<sup>3</sup> (208yd<sup>3</sup>)



### T-LINK TELEMATICS

T-Link telematics hardware and software along with free seven year data subscription are fitted and installed as standard.





The material in this document is for information only and is subject to change without notice.

Finlay® assumes no liability resulting from errors or omissions in this document, or from the use of the information contained herein.

Due to continual product development we reserve the right to change specifications without notice. Product performance figures given in this brochure are for guidance purposes only, this information does not constitute an expressed or implied warranty or guarantee, but shows test examples. These results will vary depending on application. Photographs are for illustrative purposes only; some or all of the machines in the illustrations may be fitted with optional extras. Please check with your Dealer for details on optional extras.

Published and Printed in 2022

[www.terex.com/finlay](http://www.terex.com/finlay)

E: [sales@terexfinlay.com](mailto:sales@terexfinlay.com)

T: +44 28 82 418 700

