



**TEREX TELELECT**

**Product Advisory**

**PA-1004-01**

DATED: 6/27/01

REVISED:

MODEL(S): XT Series

SUBJECT: Lubrication of the Lower Boom Cylinder Bearing. (Base End)

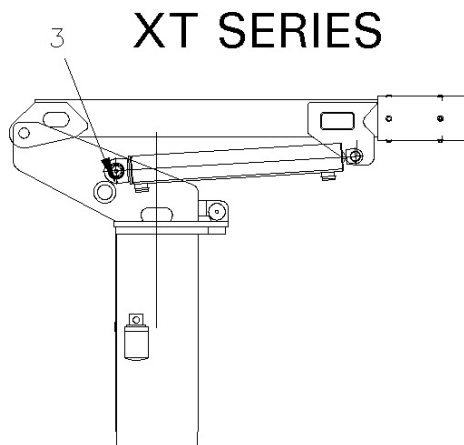
ATTN: Equipment owners and users:

Terex-Telelect has developed, for easier proper preventative maintenance, a field service kit (Part Number 000Z815) to make the grease fitting more accessible for lubrication of the spherical ball bushing, located in the base end of the lower boom cylinder. This applies to units built prior to May 2001.

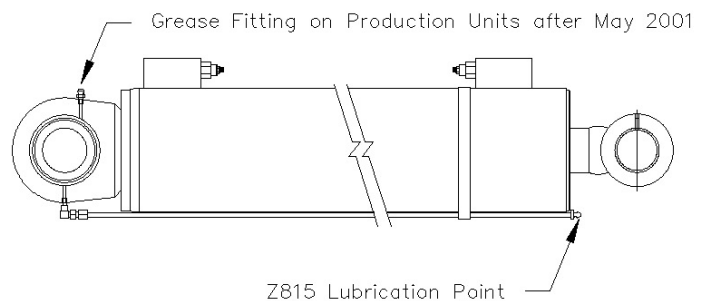
The field service kit (P/N 000Z815) provides an extension that will move the lubrication point to an area near the rod end of the cylinder. (See illustration) This kit will also provide a new retainer bolt, spacer, and nut for the cylinder-to-turret attachment pin.

The field service kit (P/N 000Z815) can be ordered through the Terex-Telelect parts department. No charge will be administered for this kit for a period of one year from the release date of this bulletin. Installation labor for this kit will be the user's responsibility.

Units manufactured after May 2001 will have an additional grease fitting on the top of the cylinder base-eye. This is intended to make the fitting more accessible to allow for easy preventative maintenance.



ITEM	LUBRICATION POINT	LUBRICANT RECOMMENDED	SERVICE	
			INTERVAL	METHOD
3	CYL. BALL BUSHINGS	LITHIUM-BASE EP #2 GREASE	90 DAYS 500 HRS	GREASE GUN



Should you have any questions or comments concerning this bulletin, please contact Terex-Telelect Service Department at (605) 882-4000

600 Oakwood Road ▪ Watertown, SD 57201 USA ▪ (605) 882-4000 ▪ Fax (605) 882-1842  
**simple, available, and cost effective™**