

<b>Product Advisory</b>	<b>PA-1010-03</b>
-------------------------	-------------------

**DATE:** 1/24/03

**REVISED:** 3/06/03

**TO:** ALL DISTRIBUTORS

**SUBJECT:** Level Indicators

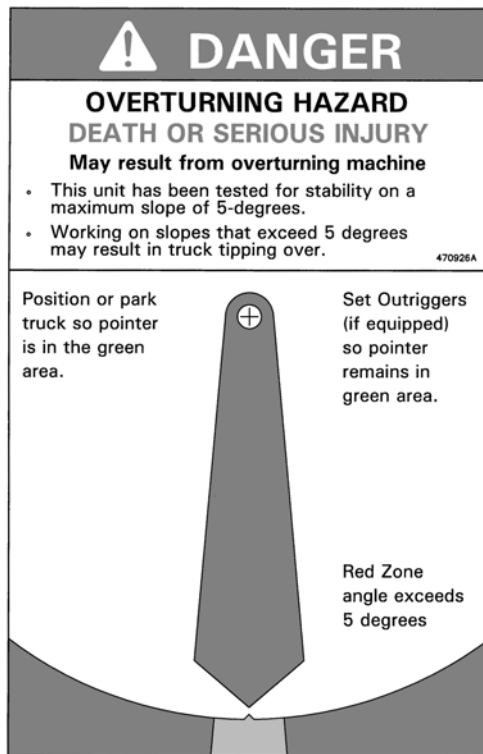
We have recently added a level indicator to the installation kit for all mobile mounted Aerial Devices and Digger Derricks. The purpose of this indicator is to provide the operator with an alternate method to determine that the unit is adequately leveled for operation.

These kits may be ordered through our parts department using normal order input methods. (Online, phone, or fax) ) When ordering these kits provide the serial number for the units they will be installed on.

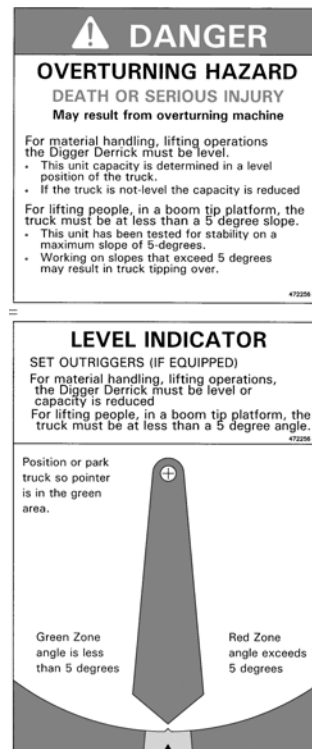
The kit number is Z-842 for Aerials and Z-849 for Digger Derricks.

The list price for these kits are \$18.50.

Attached are the kit installation instructions for reference.



Aerials



Digger Derricks

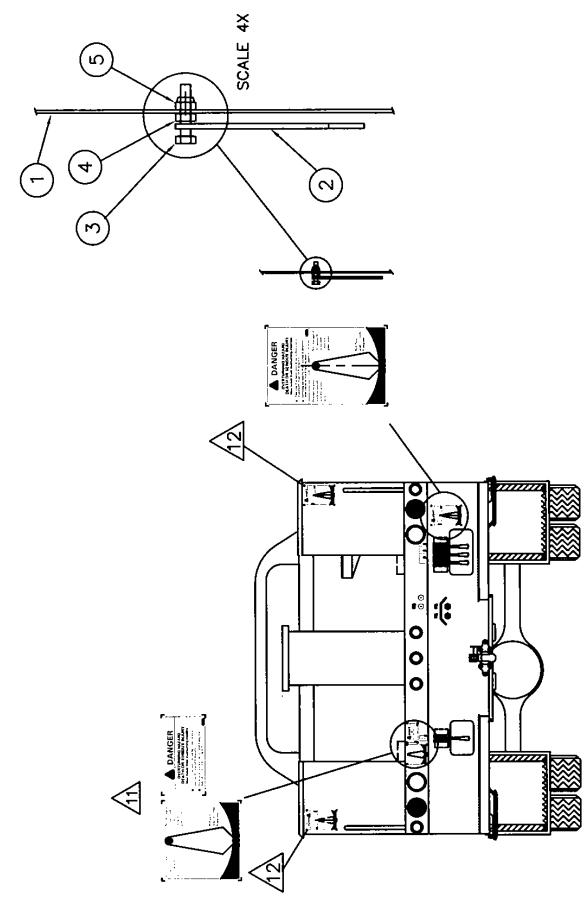
Should you have any questions or comments concerning this bulletin, please contact the TEREX Telelect Service Department at (605) 882-4000.

INSTALLATION INSTRUCTIONS - INSTALL ON BOTH SIDES OF THE TRUCK AS FOLLOWS:

1. PARK TRUCK IN LEVEL AREA. VERIFY TRUCK FRAME IS LEVEL WITH A CARPENTER LEVEL OR PLUMB BOB.
2. DRILL 1/4" HOLE IN VERTICAL SURFACE NEAR EACH OUTRIGGER CONTROL WHERE LEVEL WILL SHOW SIDE TO SIDE LEVEL CONDITION.
3. ASSEMBLE POINTER, BOLT, AND NUT; ITEMS 2, 3, 4
4. DO NOT REMOVE DECAL BACKING YET. POSITION DECAL AND POINTER ASSEMBLY IN DRILLED HOLE.
5. LEVEL DECAL BY ADJUSTING DECAL POSITION SO POINTER HANGS IN THE CENTER OF GREEN AREA.
6. MARK TOP AND OUTSIDE OF DECAL WITH A PENCIL.
7. TAKE OUT POINTER ASSEMBLY AND DECAL.
8. REMOVE DECAL BACKING AND APPLY DECAL SO IT LINES UP WITH MARKS AND CENTERS ON HOLE.
9. INSTALL POINTER ASSEMBLY WITH LOCK NUT, ITEM 5.
10. CHECK THAT POINTER SWINGS FREELY AND SHOWS LEVEL.

**11** DECAL MAY BE CUT INTO TWO DECALS AND LOCATED WITH ALERT NEXT TO ANGLE INDICATOR IF MOUNTING AREA IS NOT HIGH ENOUGH.

**12** IF NOT EQUIPPED WITH OUTRIGGERS INSTALL SO INDICATOR IS VISIBLE TO THE DRIVER ON FRONT OF BODY OR IN A LOCATION OPERATOR SEES PRIOR TO ENTERING PLATFORM.



INSERT 471188 IN BOTH OPERATORS MANUALS IN OUTRIGGER SECTION

ITEM	PART NO	PART NAME	QTY
5	15507	1/4-20 LK NUT	REF
4	10552	1/4-20 NUT	REF
3	10650	1/4-20 X 1.25 HHCS	REF
2	470927	POINTER	REF
1	470926	DECAL, TRUCK ANGLE	REF

UNITS WITH OUTRIGGER CONTROLS IN AREAS OTHER THAN LISTED ABOVE:

- INSTALLATION:
1. INSTALL INDICATOR NEAR EACH OUTRIGGER CONTROL, VISIBLE TO THE OPERATOR WHILE SETTING THE OUTRIGGERS.
  2. FOLLOW INSTRUCTIONS ABOVE TO INSTALL ON A VERTICAL SURFACE TO SHOW SIDE TO SIDE LEVEL CONDITION.

THIS DRAWING, WRITTEN DESCRIPTION OR SPECIFICATION REPRESENTS TEREX TELELECT, INC. AND SHALL NOT BE RELEASED, DISCLOSED, USED NOR DUPLICATED WITHOUT THE WRITTEN PERMISSION OF TEREX TELELECT, INC.	
SIMILAR TO: 470928	WELD FILLER MATERIAL 70KPSI MINIMUM YIELD UNLESS OTHERWISE NOTED.
RELEASED TO MFG ENGR'G FOR STANDARD PRODUCTION	DO NOT SCALE THIS DRAWING WORK TO FIGURES. BREAK ALL SHARP CORNERS UNLESS OTHERWISE SPECIFIED
E.C.N. 46793	TOLERANCE UNLESS OTHERWISE SPECIFIED:
DATE 11/11/02 INIT. JAO	.X ±.060 .XX ±.030 .XXX ±.010 ANGLES: ±2' WELDMENTS: ±.060

<b>TEREX TELELECT</b>		471186A	
PART NAME LEVEL INDICATOR INSTALL		SHEET 1 OF 2	
PRODUCT ALL	ASSY 471185		
MATERIAL			
DRAWN BY JAO	DATE 11/8/02	SCALE 1/16	FORM# 3469A

BILL OF MATERIAL

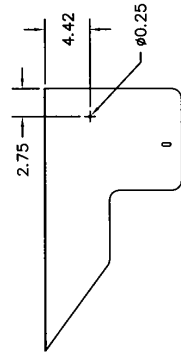
SYM	DESCRIPTION	ECN	DATE	BY
A	ADDED PAGE 2, EXPAND INSTRUCTIONS	47062	2/3/03	JAO

471186A

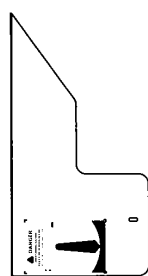
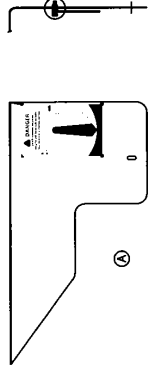
### FORESTRY BACK OF CAB MOUNTS WITH CHIP BOX

INSTALLATION INSTRUCTIONS - INSTALL ON BOTH SIDES OF THE TRUCK AS FOLLOWS:

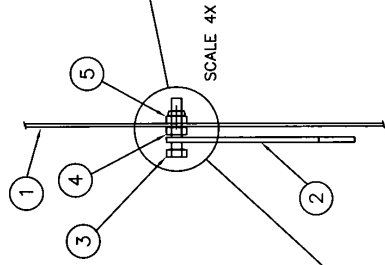
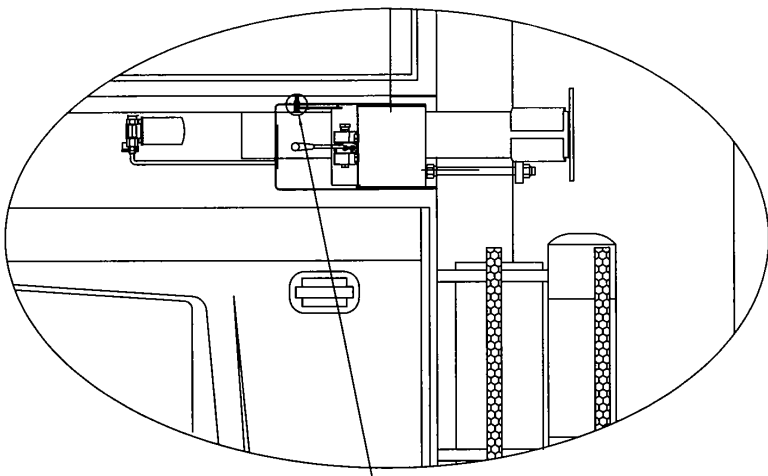
1. PARK TRUCK IN A LEVEL AREA. VERIFY TRUCK FRAME IS LEVEL WITH A CARPENTER LEVEL OR PLUMB BOB.
2. DRILL 1/4" HOLE AS SHOWN ON REAR SIDE (NEAREST CHIP BOX) OF EACH OUTRIGGER CONTROL COVER ON BOTH SIDES OF TRUCK.
3. ASSEMBLE POINTER, BOLT, AND NUT; ITEMS 2, 3, 4
4. DO NOT REMOVE DECAL BACKING YET. POSITION DECAL AND POINTER ASSEMBLY IN DRILLED HOLE.
5. LEVEL DECAL BY ADJUSTING DECAL POSITION SO POINTER HANGS IN THE CENTER OF GREEN AREA.
6. MARK TOP AND OUTSIDE OF DECAL WITH A PENCIL.
7. TAKE OUT POINTER ASSEMBLY AND DECAL.
8. REMOVE DECAL BACKING AND APPLY DECAL SO IT LINES UP WITH MARKS AND CENTERS ON HOLE.
9. INSTALL POINTER ASSEMBLY WITH LOCK NUT, ITEM 5.
10. CHECK THAT POINTER SWINGS FREELY AND SHOWS LEVEL.



HOLE LOCATION, MIRROR FOR OTHER SIDE. TOWARDS REAR OF TRUCK, STREET-SIDE.



VIEW FROM INSIDE OUTRIGGER VALVE COVER TOWARDS REAR OF TRUCK, CURB-SIDE.



<b>TEREX TELELECT</b>		471186A	
PART NAME LEVEL INDICATOR INSTALL		⑥ SHEET 2 OF 2	
PRODUCT ALL		ASSY 471185	
MATERIAL			
DRAWN BY JAO		DATE 11/8/02 SCALE 1/16 FORM# 3469A	

THIS DRAWING, WRITTEN DESCRIPTION OR SPECIFICATION REPRESENTS TEREX TELELECT, INC. AND SHALL NOT BE RELEASED, DISCLOSED, USED NOR DUPLICATED WITHOUT THE WRITTEN PERMISSION OF TEREX TELELECT, INC.	
SIMILAR TO: 470928	
WELD FILLER MATERIAL: 70KPSI. MINIMUM YIELD UNLESS OTHERWISE NOTED.	
DO NOT SCALE THIS DRAWING WORK TO FIGURES. BREAK ALL SHARP CORNERS UNLESS OTHERWISE SPECIFIED.	
RELEASED TO MFG ENGR'G FOR STANDARD PRODUCTION	.X ±.060
E.C.N. 46793	.XX ±.030
DATE 11/11/02 INIT. JAO	.XXX ±.010
	ANGLES: ±2°
	WELDMENTS: ±.060

472257

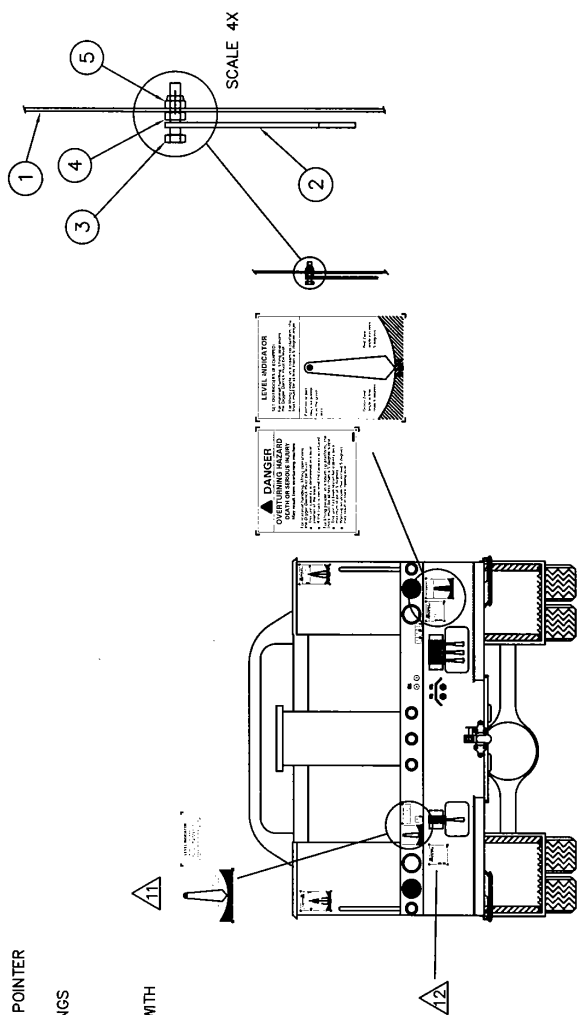
**BACK OF CAB, CORNER MOUNTS OR REAR AXLE MOUNTS WITH OUTRIGGER CONTROLS IN TAIL-SHELF**

INSTALLATION INSTRUCTIONS - INSTALL ON BOTH SIDES OF THE TRUCK AS FOLLOWS:

1. PARK TRUCK IN LEVEL AREA. VERIFY TRUCK FRAME IS LEVEL WITH A CARPENTER LEVEL OR PLUMB BOB.
2. DRILL 1/4" HOLE IN VERTICAL SURFACE NEAR EACH OUTRIGGER CONTROL WHERE LEVEL WILL SHOW SIDE TO SIDE LEVEL CONDITION.
3. ASSEMBLE POINTER, BOLT, AND NUT; ITEMS 2, 3, 4.
4. DO NOT REMOVE DECAL BACKING YET. POSITION DECAL AND POINTER ASSEMBLY IN DRILLED HOLE.
5. LEVEL DECAL BY ADJUSTING DECAL POSITION SO POINTER HANGS IN THE CENTER OF GREEN AREA.
6. MARK TOP AND OUTSIDE OF DECAL WITH A PENCIL.
7. TAKE OUT POINTER ASSEMBLY AND DECAL.
8. REMOVE DECAL BACKING AND APPLY DECAL SO IT LINES UP WITH MARKS AND CENTERS ON HOLE.
9. INSTALL POINTER ASSEMBLY WITH LOCK NUT, ITEM 5.
10. CHECK THAT POINTER SWINGS FREELY AND SHOWS LEVEL.

▲1 LEVEL INDICATOR DECAL MAY BE CUT INTO TWO DECALS AND LOCATED NEXT TO EACH OTHER IF SPACE IS LIMITED.

▲12 LOCATE ALERT DECAL NEAR CONTROLS.



INSERT 472260 IN BOTH OPERATORS MANUALS IN OUTRIGGER SECTION

ITEM	PART NO	PART NAME	QTY
5	15507	1/4-20 LK NUT	REF
4	10552	1/4-20 NUT	REF
3	10650	1/4-20 X 1.25 HHCS	REF
2	470927	POINTER	REF
1	472256	DECAL, LEVEL INDICATOR	REF

**UNITS WITH OUTRIGGER CONTROLS IN AREAS OTHER THAN LISTED ABOVE:**

- INSTALLATION:
1. INSTALL INDICATOR NEAR EACH OUTRIGGER CONTROL, VISIBLE TO THE OPERATOR WHILE SETTING THE OUTRIGGERS.
  2. FOLLOW INSTRUCTIONS ABOVE TO INSTALL ON A VERTICAL SURFACE TO SHOW SIDE TO SIDE LEVEL CONDITION.

THIS DRAWING, WRITTEN DESCRIPTION OR SPECIFICATION REPRESENTS TEREX TELELECT, INC. AND SHALL NOT BE RELEASED, DISCLOSED, USED NOR DUPLICATED WITHOUT THE WRITTEN PERMISSION OF TEREX TELELECT, INC.

SIMILAR TO: 471186

WELD FILLER MATERIAL 70KPSI MINIMUM YIELD UNLESS OTHERWISE NOTED.

DO NOT SCALE THIS DRAWING WORK TO FIGURES - BREAK ALL SHARP CORNERS UNLESS OTHERWISE SPECIFIED

TOLERANCE UNLESS OTHERWISE SPECIFIED:

.X ±.060  
.XX ±.030  
.XXX ±.010

ANGLES: ±2°  
WELDMENTS: ±.060

RELEASED TO MFG ENGR'G FOR STANDARD PRODUCTION

E.C.N. 47062

DATE 2/18/03 INIT. JAO

**TEREX TELELECT**

472257

PART NAME LEVEL INDICATOR INSTALL, DD

PRODUCT DD

MATERIAL

ASSY 472258

DRAWN BY JAO DATE 2/14/03 SCALE 1/16 FORM# 3469A