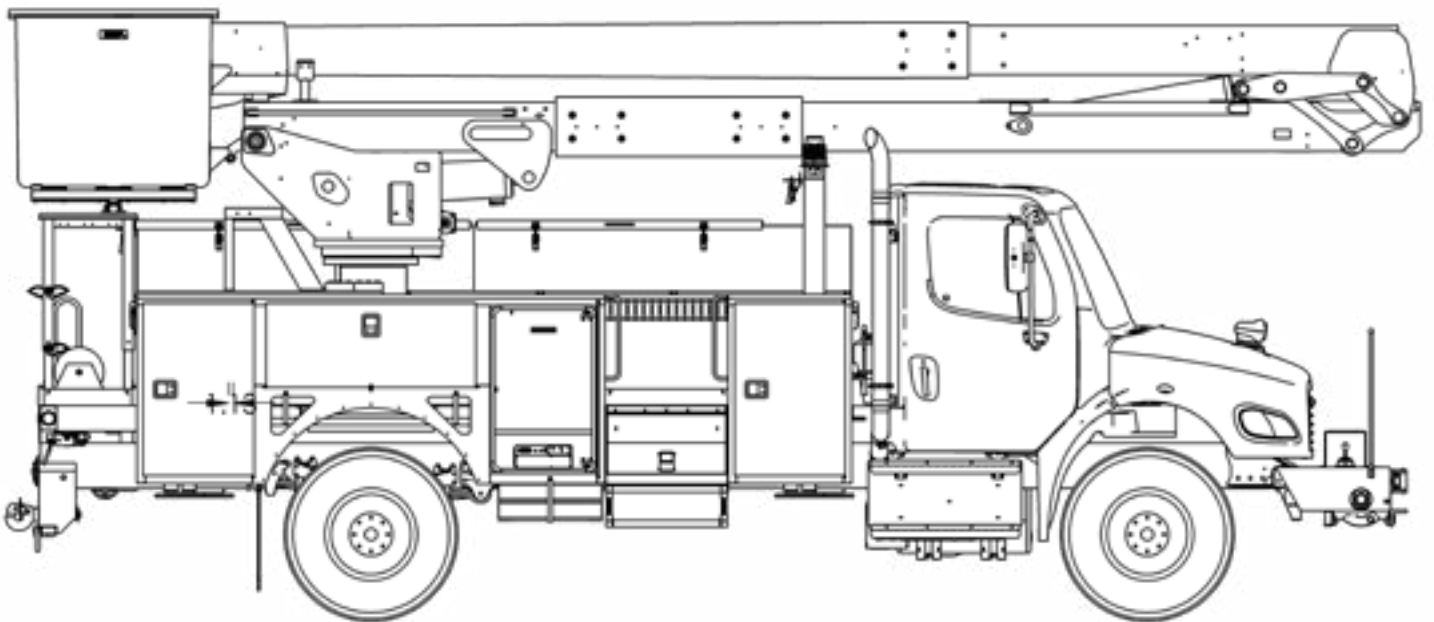




# TECH TIPS

CONTROL VALVE AND PLATFORM PIN UPDATES

NO. 144



**SERVICE CALL:**  
CONTROL VALVE AND PLATFORM  
PIN UPDATES



**MODEL(S):**  
XT PRO



**TOOLS NEEDED:**  
HAND TOOLS

TEREX UTILITIES TECHNICAL SUPPORT TEAM

PHONE: 1-844-TEREX4U (1-844-837-3948) | EMAIL: [UTILITIES.SERVICE@TEREX.COM](mailto:UTILITIES.SERVICE@TEREX.COM)



## DANGER

Failure to obey the instructions and safety rules in the appropriate Operator's Manual and Service Manual for your machine will result in death or serious injury.

Many of the hazards identified in the Operator's Manual are also safety hazards when maintenance and repair procedures are performed.

## DO NOT PERFORM MAINTENANCE UNLESS:

- ✓ You are trained and qualified to perform maintenance on this machine.
- ✓ You read, understand and obey:
  - manufacturer's instructions and safety rules
  - employer's safety rules and worksite regulations
  - applicable governmental regulations
- ✓ You have the appropriate tools, lifting equipment and a suitable workshop.

The information contained in this Tech Tip is a supplement to the Service Manual. Consult the appropriate Service Manual of your machine for safety rules and hazards.



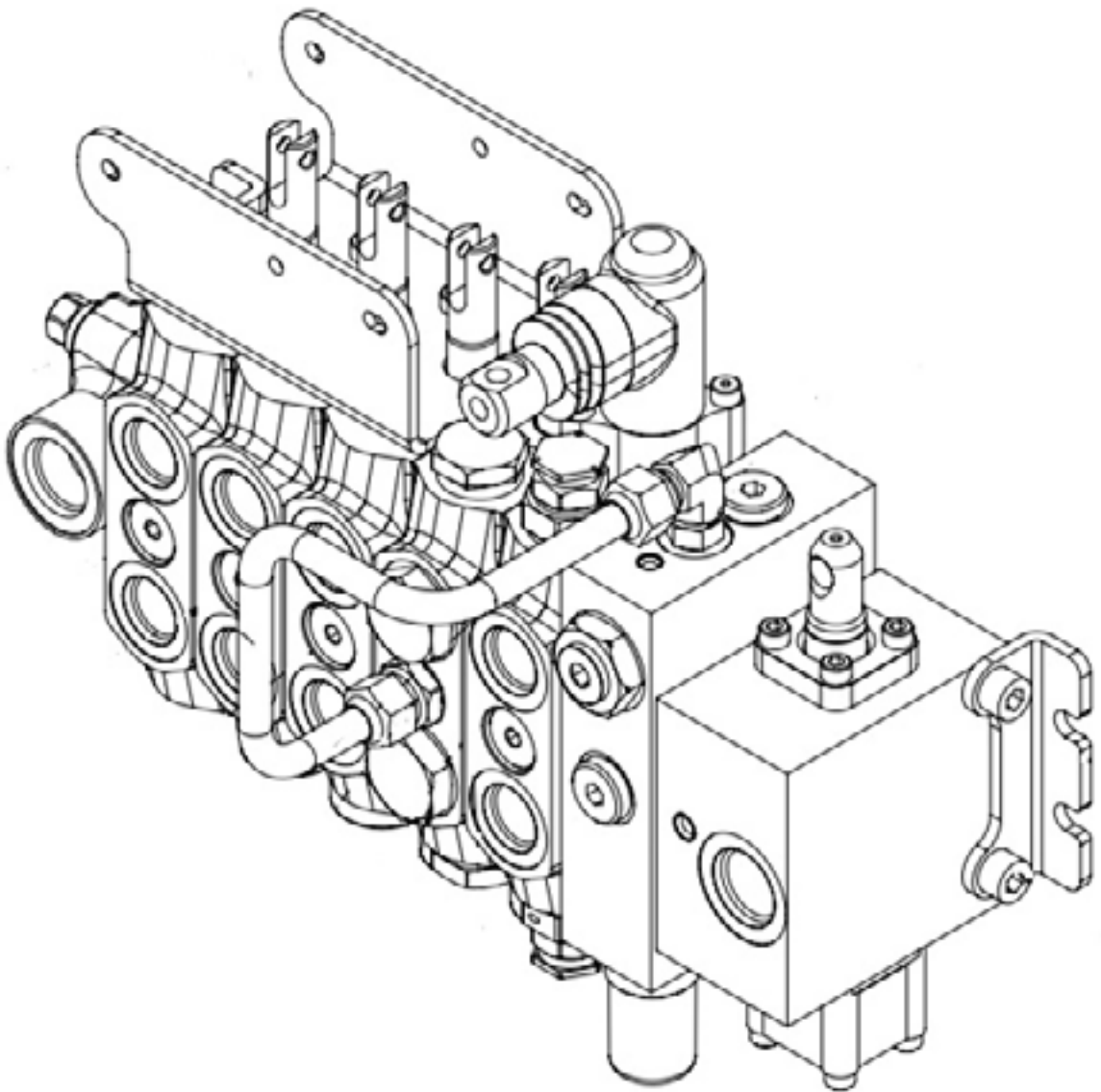
TECH TIP 144 | RELEASED 12.03.2020 | VERSION 1.0  
©TEREX UTILITIES. ALL RIGHTS RESERVED

## INTRODUCTION

This tech-tip outlines the updates that have been made to the upper and lower control valves and the pins for the platform boom assembly. All XT Pro's from DK71982 and above will have these updates.

## STEP 1

The original upper control valve had O-ring seals for each spool. The current design has quad seals for each spool valve. **Figure 1** shows the upper control valve.



**FIGURE 1**

## STEP 2

The seal kit includes all the seals needed to reseal the complete valve. Below is a list of the parts in the seal kit. The spool seals can be ordered separately if needed.

Seal Kit P/N: 627209

- 627403 – 12 Quad Seals
- 627404 – 12 Wipers
- 627405 – 9 Flanges
- 627958 – 1 Bushing (Tool for Quad Seal Installation Only)

Note: Seal Kit P/N: 627400 can be ordered for single section quad seal kit.

## STEP 3

If replacing or installing new quad seals, reference **Techtip 147** for resealing a hydro control valve. Note there is a special tool used for this install: P/N: 627958.



## STEP 4

The lower control enable has been updated with larger glands to reduce the pressure in the upper control return line. **Figure 2** points out the lower control enable on the lower control valve.



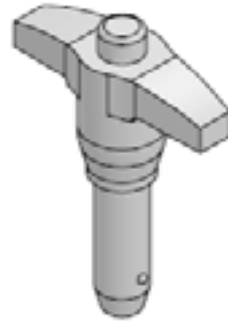
**FIGURE 2**

## STEP 5

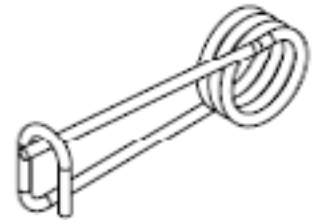
If the spool seals are found to be leaking at the top controls, order Z-1593 to update to the new seals and enable spool. This kit comes with all the parts and directions necessary to update the controls.

## STEP 6

Platform pins have been updated to a positive locking style pin. **Figure 3** shows the old style pin. **Figure 4** shows the current style pin.



**FIGURE 3**



**FIGURE 4**





FOR FURTHER ASSISTANCE,  
CONTACT THE TEREX UTILITIES TECHNICAL SUPPORT TEAM  
PHONE: **1-844-TEREX4U (1-844-837-3948)** | EMAIL: **[UTILITIES.SERVICE@TEREX.COM](mailto:UTILITIES.SERVICE@TEREX.COM)**

---