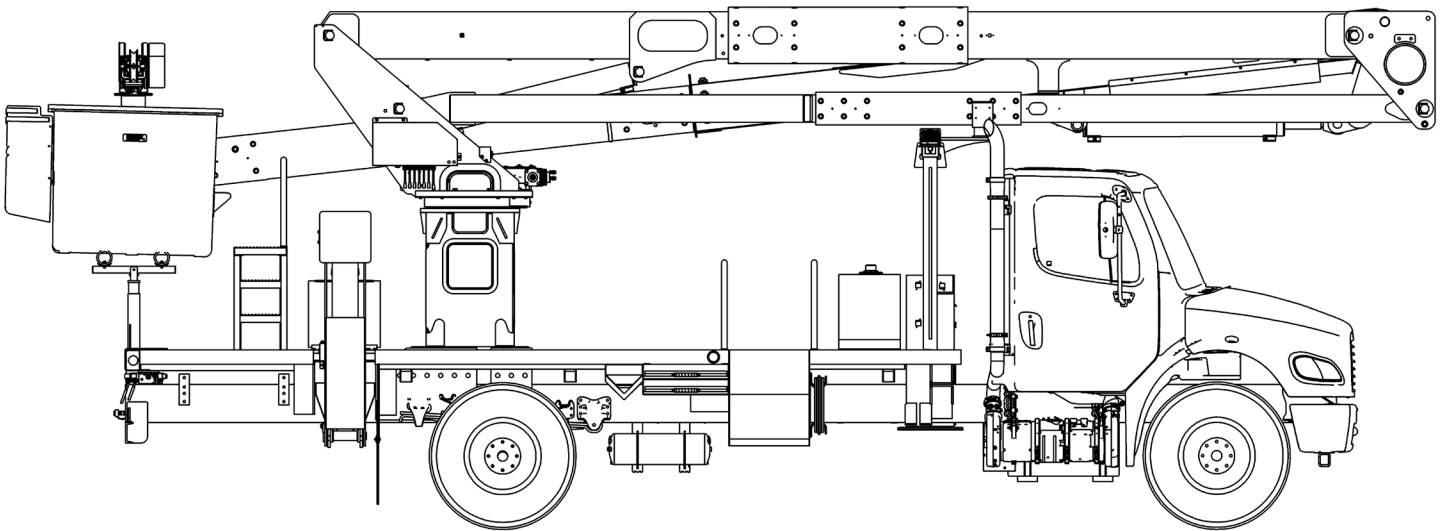




# TECH TIPS

CHECKING THE TORQUE ON ROTATION BEARING FASTENERS

NO. 15



**SERVICE CALL:**  
CHECKING THE TORQUE ON  
ROTATION BEARING FASTENERS



**MODEL(S):**  
ALL TEREX UTILITIES DIGGER  
DERRICKS AND AERIAL DEVICES



**TOOLS NEEDED:**  
UNIT SPECIFIC MAINTENANCE  
MANUAL  
CALIBRATED TORQUE WRENCH  
SOCKETS AND ADAPTERS  
READ AND UNDERSTAND PA1016  
SCRIBE OR LETTER STAMP

TEREX UTILITIES TECHNICAL SUPPORT TEAM

PHONE: 1-844-TEREX4U (1-844-837-3948) | EMAIL: [UTILITIES.TECHSUPPORT@TEREX.COM](mailto:UTILITIES.TECHSUPPORT@TEREX.COM)



## **DANGER**

Failure to obey the instructions and safety rules in the appropriate Operator's Manual and Service Manual for your machine will result in death or serious injury.

Many of the hazards identified in the Operator's Manual are also safety hazards when maintenance and repair procedures are performed.

## **DO NOT PERFORM MAINTENANCE UNLESS:**

- ✓ You are trained and qualified to perform maintenance on this machine.
- ✓ You read, understand and obey:
  - manufacturer's instructions and safety rules
  - employer's safety rules and worksite regulations
  - applicable governmental regulations
- ✓ You have the appropriate tools, lifting equipment and a suitable workshop.

The information contained in this Tech Tip is a supplement to the Service Manual. Consult the appropriate Service Manual of your machine for safety rules and hazards.



TECH TIP 15 | RELEASED 04.13.2026 | VERSION 1.1  
©TEREX UTILITIES. ALL RIGHTS RESERVED

# CONTENTS

## TECH TIP#15

4

- | *Verify torque wrench calibration*
- | *Determine proper torque*
- | *Calculate any adjustments to the torque*

**STEP 1 - STEP 6**

5

- | *Record the inspection date*
- | *Document the inspection*

**STEP 7 - STEP 9**

## STEP 1

Make sure that the torque wrench that you are using has a current calibration sticker. Typically one year from either the purchase date or the last calibration.

## STEP 2

Determine the proper torque for the fasteners that you are checking (see the quick reference section of the correct maintenance manual).

## STEP 3

When using a socket with an extension, the torque value does not change.

When an adapter such as a “crows foot” is used, the torque value of the wrench must be adjusted to account for the change in distance between the center of the square drive and the center of the fastener being checked.

Use the information supplied with your torque wrench to make this calculation and adjustment.



## STEP 4

Use the correct torque and lubricant indicated in the maintenance manual. Do not “jerk” the torque wrench as you apply torque; instead apply pressure smoothly and evenly.



## STEP 5

Other components may need to be moved to gain access to all of the fasteners. Do not skip over any fastener.

## STEP 6

If you find a loose fastener as defined in **PA 1016** found on the Terex Utilities website, it must be replaced. The fastener on each side of the loose fastener must also be replaced. If a loose bolt also uses a nut, they both must be replaced. Consult the maintenance manual for specific procedures.





FOR FURTHER ASSISTANCE,  
CONTACT THE TEREX UTILITIES TECHNICAL SUPPORT TEAM  
PHONE: **1-844-TEREX4U (1-844-837-3948)** | EMAIL: **[UTILITIES.SERVICE@TEREX.COM](mailto:UTILITIES.SERVICE@TEREX.COM)**

---