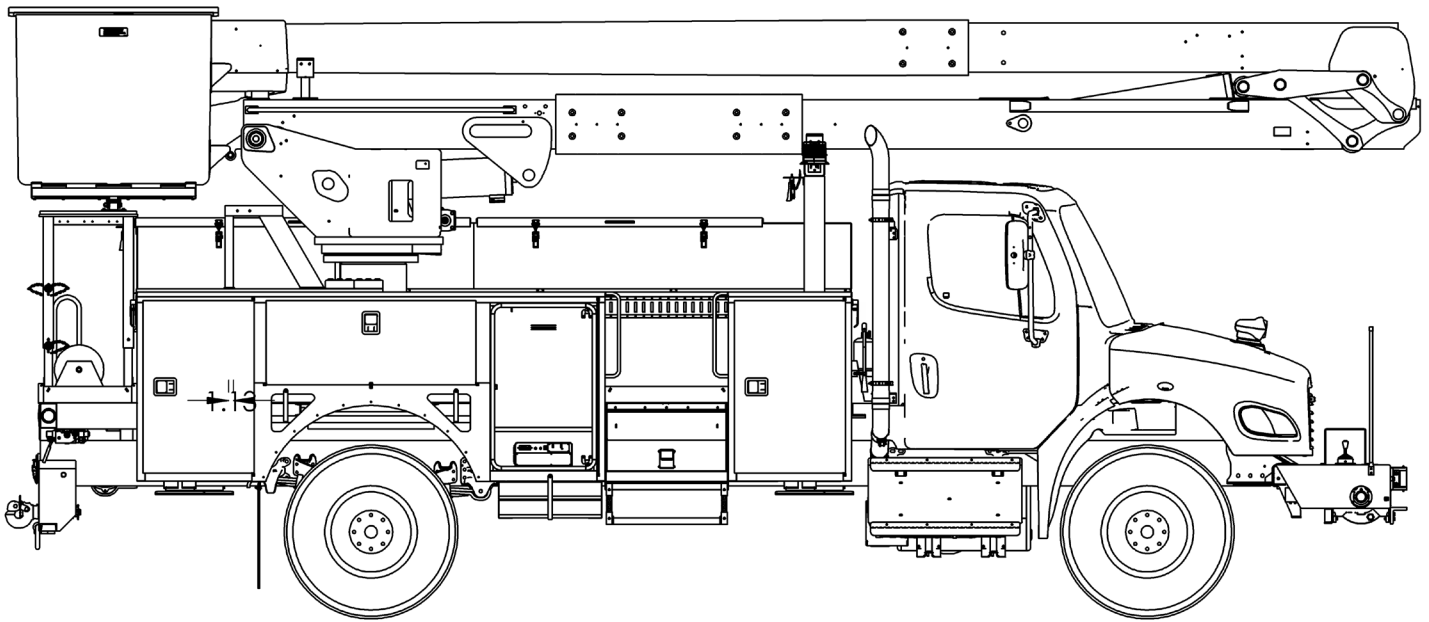




# TECH TIPS

CHARGING THE ELECTRIC POWER TAKE OFF (EPTO)

NO. 172



**SERVICE CALL:**  
CHARGING THE ELECTRIC POWER  
TAKE OFF (EPTO)



**MODEL(S):**  
ALL MODELS WITH EPTO



**TOOLS NEEDED:**  
LEVEL 1 CHARGER (120 VAC)  
LEVEL 2 CHARGER (240 VAC)

TEREX UTILITIES TECHNICAL SUPPORT TEAM

PHONE: 1-844-TEREX4U (1-844-837-3948) | EMAIL: [UTILITIES.SERVICE@TEREX.COM](mailto:UTILITIES.SERVICE@TEREX.COM)



## **DANGER**

Failure to obey the instructions and safety rules in the appropriate Operator's Manual and Service Manual for your machine will result in death or serious injury.

Many of the hazards identified in the Operator's Manual are also safety hazards when maintenance and repair procedures are performed.

## **DO NOT PERFORM MAINTENANCE UNLESS:**

- ✓ You are trained and qualified to perform maintenance on this machine.
- ✓ You read, understand and obey:
  - manufacturer's instructions and safety rules
  - employer's safety rules and worksite regulations
  - applicable governmental regulations
- ✓ You have the appropriate tools, lifting equipment and a suitable workshop.

The information contained in this Tech Tip is a supplement to the Service Manual. Consult the appropriate Service Manual of your machine for safety rules and hazards.



TECH TIP 172 | RELEASED 11.03.2023 | VERSION 1.0  
©TEREX UTILITIES. ALL RIGHTS RESERVED

# CONTENTS

## TECH TIP #172

### TOC

4

| Park the vehicle at charger  
| Locate the charging port

**INTRODUCTION**  
**STEP 1 - STEP 2**

5

| Level 1 Charger  
| Level 2 Charger

**STEP 3 - STEP 4**

6

| Charge level indicator  
| Disconnect charger

**STEP 5 - STEP 6**

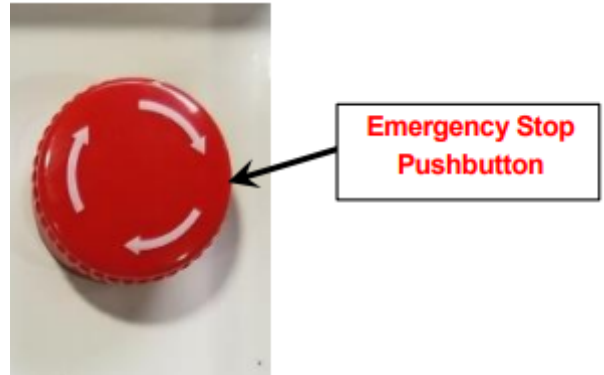
# INTRODUCTION

**Note:**An extension cord and outlet rated for 15 Amps is required for the Level 1 charger.

**Note:** While charging, the SmartPTO cannot be used to operate hydraulics.

# STEP 1

Park the vehicle at the charger and turn the vehicle off. Confirm that the E-Stop is not pushed in on the SmartPTO system. If the E-Stop is pushed in the Smart PTO will not turn on to start charging.



---

# STEP 2

Locate the Charging Port.



**FIGURE 2 - Single 120V AC Charger**



**FIGURE 3 - Charging Box on EV Chassis**

### STEP 3

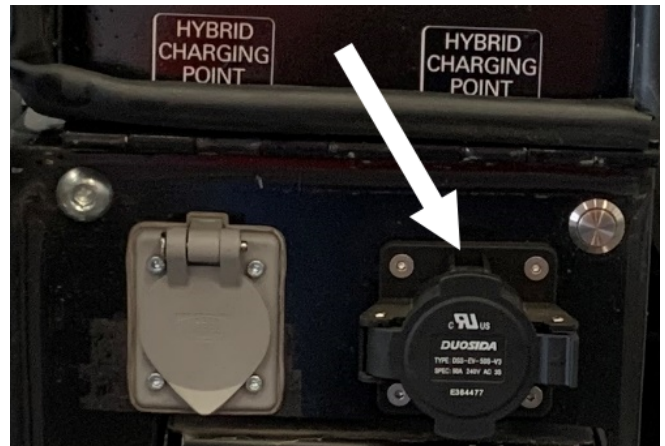
If using the level 1 charger, plug the extension cord to the 120VAC charge port.



**FIGURE 4 - Level 1 Charging**

### STEP 4

If using the level 2 charger, plug in the charging connector and push and hold the metal button to start the charge.



**FIGURE 5 - Level 2 Charging**



**FIGURE 6 - Start Charging**

The graphic below is an example of the screen from the manual. Charging times will vary based on system options and the charging method.



**FIGURE 7 - Smart PTO Encoder Screen**

## STEP 5

The lights on top of the unit will also show the state of charge. In the example below the charge is between 70% and 80%. Once they system reaches a charge of 80% the 9th block would begin flashing.



**Charging Status 10% per Segment  
(the flashing block indicates current charging level)**

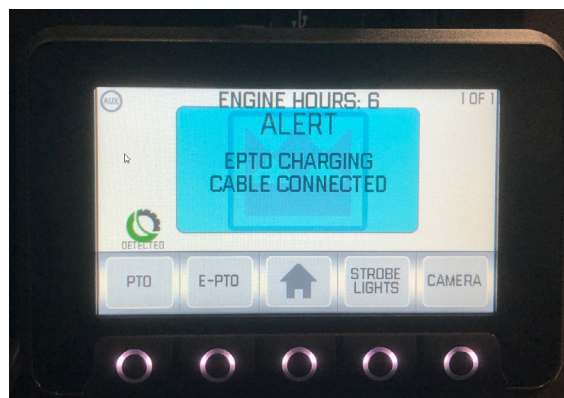
**FIGURE 8 - Unit Charge Indicator**

## STEP 6

Once the unit has been charging for 24 hours it is recommended that you disconnect the charger. No damage will occur, its considered best practice not to leave either type of charger connected for long periods of time.

**Note:** The Level 1 charger will charge at a rate of 1.3 KW per hour. The level 2 charger has a max charging rate of 6 KW per hour.

**Note:** If the driver turns the key on while charging an alert will pop-up on the Canview 4 screen.





FOR FURTHER ASSISTANCE,  
CONTACT THE TEREX UTILITIES TECHNICAL SUPPORT TEAM  
PHONE: [1-844-TEREX4U \(1-844-837-3948\)](tel:1-844-TEREX4U) | EMAIL: [UTILITIES.SERVICE@TEREX.COM](mailto:UTILITIES.SERVICE@TEREX.COM)

---