

## Service Call:

Re-thread Upper Boom Hold Down Strap.

## Tools Required:

No tools required to perform this procedure.

## Model(s):

All units with web type strap and “over-center” handle at the boom rest.



## Tech Tip Safety Rules



### **Danger**

Failure to obey the instructions and safety rules in the appropriate Operator's Manual and Service Manual for your machine will result in death or serious injury. Many of the hazards identified in the operator's manual are also safety hazards when maintenance and repair procedures are performed.

### **Do Not Perform Maintenance Unless:**

- You are trained and qualified to perform maintenance on this machine.
- You read, understand and obey:
  - manufacturer's instructions and safety rules
  - employer's safety rules and worksite regulations
  - applicable governmental regulations
- You have the appropriate tools, lifting equipment and a suitable workshop.

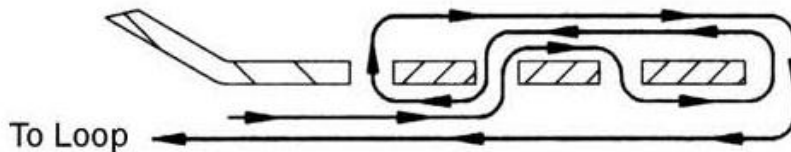
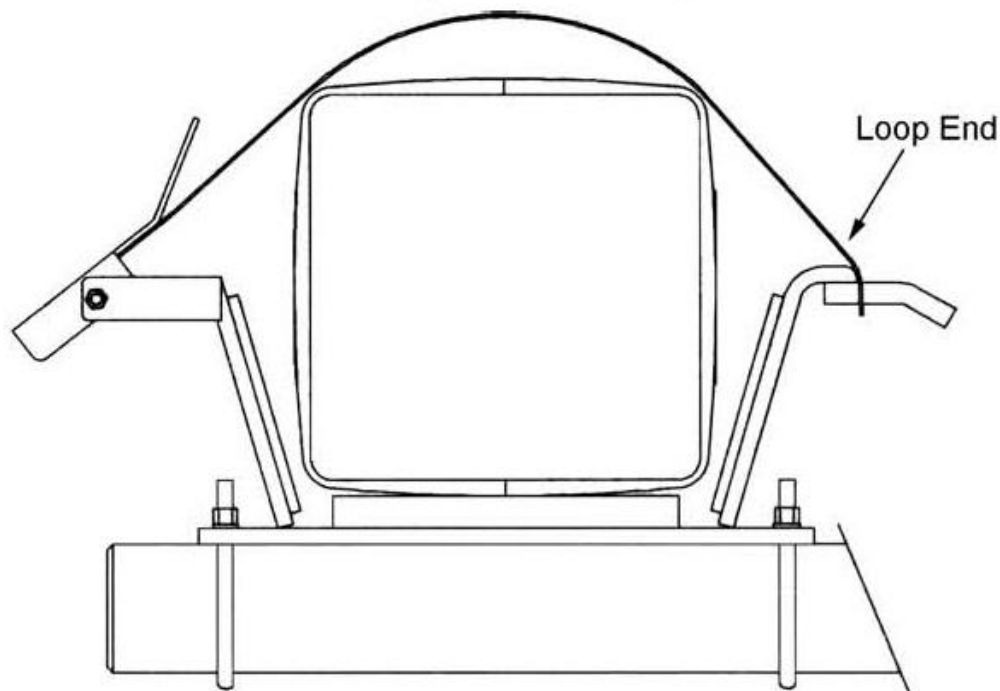
The information contained in this tech tip is a supplement to the service manual. Consult the appropriate service manual of your machine for safety rules and hazards.

## Step 1

Release the handle to remove tension from the strap.

## Step 2

Compare the routing of the strap with the diagram below. Re-route the strap if it is not routed correctly.



**STRAP MUST BE THREADED AS SHOWN**

## Step 3

The strap should look like this example when it is routed correctly.



## Step 4

Hook up the strap to the hook on the boom rest, then push the handle to latch it.



**Note:** It should take some force to get the handle to latch. If the latch moves easily, shorten strap as needed.