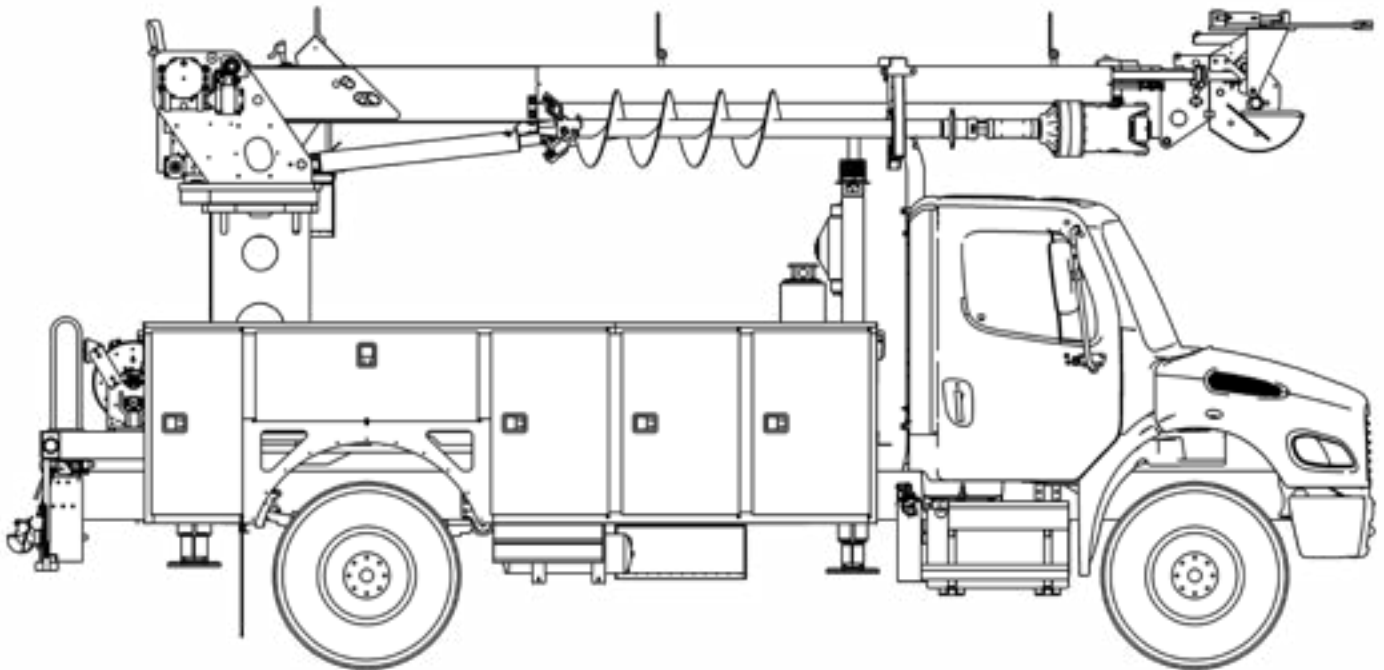




TECH TIPS

CHECKING THE OIL LEVEL IN A PG WINCH

NO. 85



SERVICE CALL:
CHECKING THE OIL LEVEL IN A PG
WINCH



MODEL(S):
TEREX DIGGER DERRICKS WITH A
PG WINCH



TOOLS NEEDED:
HEX KEY WRENCH SET
OIL DRAIN PAN

TEREX UTILITIES TECHNICAL SUPPORT TEAM

PHONE: 1-844-TEREX4U (1-844-837-3948) | EMAIL: UTILITIES.SERVICE@TEREX.COM



DANGER

Failure to obey the instructions and safety rules in the appropriate Operator's Manual and Service Manual for your machine will result in death or serious injury.

Many of the hazards identified in the Operator's Manual are also safety hazards when maintenance and repair procedures are performed.

DO NOT PERFORM MAINTENANCE UNLESS:

- ✓ You are trained and qualified to perform maintenance on this machine.
- ✓ You read, understand and obey:
 - manufacturer's instructions and safety rules
 - employer's safety rules and worksite regulations
 - applicable governmental regulations
- ✓ You have the appropriate tools, lifting equipment and a suitable workshop.

The information contained in this Tech Tip is a supplement to the Service Manual. Consult the appropriate Service Manual of your machine for safety rules and hazards.



TECH TIP 85 | RELEASED 12.03.2020 | VERSION 1.0
©TEREX UTILITIES. ALL RIGHTS RESERVED

INTRODUCTION

Maintain proper oil levels in the gearboxes to dissipate heat. Too much or too little oil in the gearbox may lead to premature failure.

Due to how the winch gearbox is mounted on the boom tip shown in **Figure 1**, using the oil level hole will not provide an accurate measurement of the oil in the gearbox.

According to the maintenance manual, the oil should be drained and refilled every 6 months.

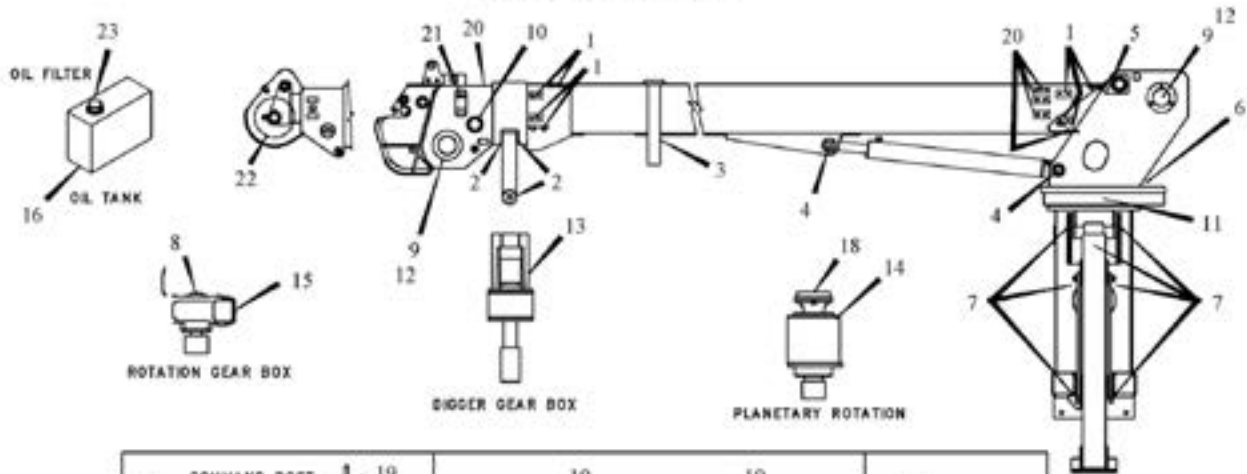
Consult the lube chart mounted on the unit and the unit specific maintenance manual for the proper fluid to be added and the maintenance interval. **Figure 2** shows an example of a lubrication chart.



FIGURE 1

1. Oil level hole location

TEREX TELELECT DIGGER DERRICK



ITEM	LUBRICATION POINT	QTY	TYPE OF LUBRICATION	SERVICE		
				INTERVAL	METHOD	
1	2ND BOOM WEAR PADS	A/R	LITHIUM-BASE EP #2 GREASE	360 HOURS OR 90 DAYS	GREASE GUN	
2	DIGGER BRACKET	4				
3	AUGER STORAGE BRACKET	1				
4	LIFT CYLINDER BEARINGS	4				
5	BOOM PIVOT BEARINGS	2				
6	TURN TABLE BEARING	*1				
7	JACKS, SWING SLANT	10				
8	ROTATION GEAR BOX BEARING	1				
9	WINCH DRUM	1				
10	HYDRAULIC 3RD ROLLERS	2				
11	ROTATION GEAR TEETH	*1			WEEKLY	REPACK
12	WINCH GEAR BOX	**1	GL-5 EP GEARLUBE 89W140	360 HOURS OR 90 DAYS	**FILL IF LOW	
13	DIGGER GEAR BOX	1	GL-5 EP GEARLUBE 80W90			
14	PLANETARY ROTATION GEAR BOX	1	GL-5 EP GEARLUBE 80W90			
15	WORM ROTATION GEAR BOX	1	MOBILUX EP 023			
16	HYDRAULIC RESERVE TANK	1	PREMIUM ISO 15 HYD FLUID	CHECK DAILY		
17	THROTTLE RESERVOIR	1	HYD FLUID MIL-5608A			
18	PLANETARY BRAKE	1	HYD FLUID MIL-5608A	360 HOURS OR 90 DAYS	GREASE GUN	
19	CONTROL LEVERS	A/R	LUBRICATING OIL			
20	F80 3RD WEAR PADS	A/R	LITHIUM EP #2 GREASE		SPRAY	
21	3RD SIDE ROLLERS	4	SILICONE	WEEKLY		
22	SHEAVES	A/R	SILICONE			
23	RETURN LINE FILTER	1	REPLACE FILTER EVERY 250 HOURS			

USE THE ABOVE PRODUCTS OR EQUIVALENT.
 * LUBE SPARINGLY EVERY 1/8 REVOLUTION.
 ** FOR SERVICE BELOW -30°F. CONSULT OIL SUPPLIER.
 *** DRAIN AND REFILL WHEN CONTAMINATED.

NOTE: ALWAYS LUBRICATE
 ITEMS WHEN DIS-
 ASSEMBLED. DERRICKS
 MAY VARY SLIGHTLY
 WITH OPTIONS. LUB-
 RICATE PER MANUAL.

NOTE: ALL MOVING PARTS NOT EQUIPPED WITH GREASE FITTINGS SHOULD BE
 LUBRICATED WITH LPS-1 OR EQUIVALENT LUBRICANT EVERY 90 DAYS.

443818D

FIGURE 2

STEP 1

Locate unit in a safe location and operate the boom allow access to the PG (Poleguide) winch from the ground.

STEP 2

Position a drain pan under the winch gearbox and remove the drain plug (**Figure 3**).



FIGURE 3

1. Drain plug

STEP 3

Replace the drain plug once all the oil is removed.



FIGURE 4

STEP 4

Remove the breather vent and add 2.5 quarts of 85w/140 gear oil to the gearbox.



FIGURE 5

1. Breather vent



FOR FURTHER ASSISTANCE,
CONTACT THE TEREX UTILITIES TECHNICAL SUPPORT TEAM
PHONE: **1-844-TEREX4U (1-844-837-3948)** | EMAIL: **UTILITIES.SERVICE@TEREX.COM**
