

# CEDARAPIDS®

A TEREX BRAND

## Spider Bearing Cones TG Series



A world working better™

 **TEREX® MPS**

# Cedarapids® TG Series

## Exceptional Versatility Superior Productivity Consistent Performance

Cedarapids provides a complete range of crushing equipment in four key industries:

- Mining
- Aggregates
- Demolition & Recycling
- Industrial Minerals

The range of bronze bushing TG Series cone crushers are the latest addition to the world leading Cedarapids Cone Crusher Range.

These impressive cone crushers can be easily and efficiently set up to perform and deliver the best cost per ton cubicle product by selecting the optimum crushing cavity and eccentric throw to suit the application requirements. From a coarse secondary right through to fine quaternary, the TG series cone crushers will consistently exceed all performance expectations.

The advanced automation control system, fitted as standard on all TG Series Cones, improves performance and cone safety. With its user friendly interface and advanced technology the control system will continuously monitor the cone's operational parameters and make the necessary adjustments to ensure consistent peak performance.

- Hydraulically controlling the cone's CSS, even under load, and compensating for liner wear
- Maintaining the cone's optimum power requirement
- Logging of key operational parameters & performance indicators
- Provides advanced diagnostics

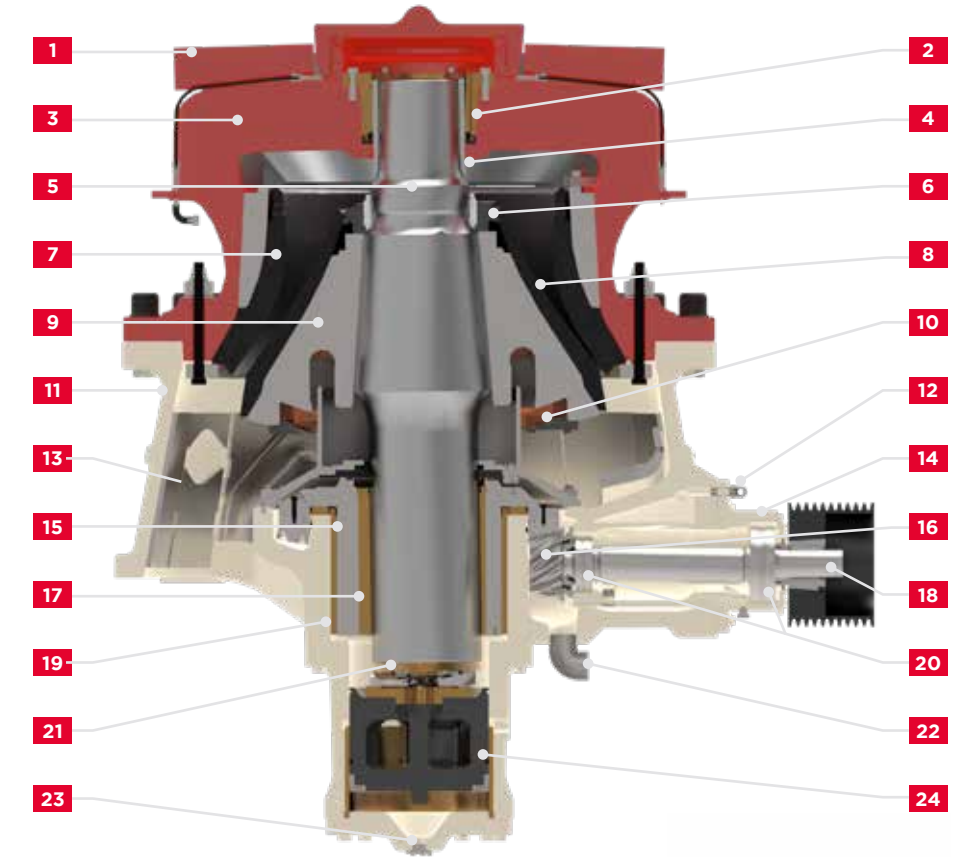


A world working better™

### CROSS SECTION OF STANDARD TG CONE

#### Standard/Fine Range

1. Spider Arm Shields
2. Spider Arm Bearing
3. Top Shell & Spider Arm
4. Mainshaft Sleeve
5. Mainshaft
6. Mantle Lock Nut
7. Concave Liner
8. Mantle Liner
9. Cone Head
10. Floating Seal Ring
11. Bottom Shell/Main Frame
12. Air Over Pressure Inlet
13. Main Frame Liners
14. Countershaft Housing
15. Eccentric
16. Spiral Bevel Pinion Gear
17. Inner Eccentric Bush
18. Countershaft
19. Outer Eccentric Bushing
20. Countershaft Roller Bearings
21. Thrust Bearing
22. Lubrication Oil Return
23. Linear CSS Transduced
24. CSS Adjustment Piston



Model Name	TG120	TG220	TG320	TG420	TG820	TG1020
Maximum Power	120hp (90kW)	215hp (160kW)	335hp (250kW)	422hp (315kW)	805hp (600kW)	1006hp (750kW)
*Maximum Feed Size	125mm (5")	165mm (6.5")	190mm (7.5")	240mm (9.5")	320mm (12.6")	355mm (13.2")
Basic Crusher Weight	5,500kg (12,125lbs)	9,500kg (20,945lbs)	15,000kg (33,070lbs)	25,200kg (55,556lbs)	50,000kg (110,231lbs)	77,000kg (170,000lbs)
CSS Range	6-29mm (1/4-1 1/8")	6-32mm (1/4-1 1/4")	8-38mm (5/16-1 1/2")	13-44mm (1/2-1 3/4")	13-64mm (1/2-2 1/4")	13-70mm (1/2-2 3/4")
Maximum Capacity	110-130mtph (121-143stph)	195-215mtph (215-237stph)	380-410mtph (419-452stph)	640-680mtph (706-750stph)	1400-1550mtph (1543-1709stph)	2100-2300mtph (2315-2535stph)

\*Maximum Feed Size based on a feed of F<sub>95</sub>  
Crusher range not to scale

# Cedarapids® TGS Series

Epic Durability  
Unmatched Reliability  
Optimum Efficiency

The TGS cone utilises the same base mount, drive train and power rating as its equivalent TG cone and is the ideal choice for large feed secondary applications. It can be utilised in a control fed sand & gravel primary application.

The TGS cone can accept a 65-80% larger feed in size compared to all other types of cones in the same power rating, and the steep angled head design accounts for an increased throughput in capacity and the ability to sustain an on/off feed. The consistent feed in opening, through the full wear life of the liners, results in no reduction in maximum feed size and limited fluctuation in output gradings.

The TGS Series cones come with the advanced automation cone controls as standard. With numerous choices of crusher cavities and eccentric throws, which allow the cone to be easily adapted to all application requirements at a minimal cost, coupled with the exceptional productivity, results in an overall lower cost per ton average.

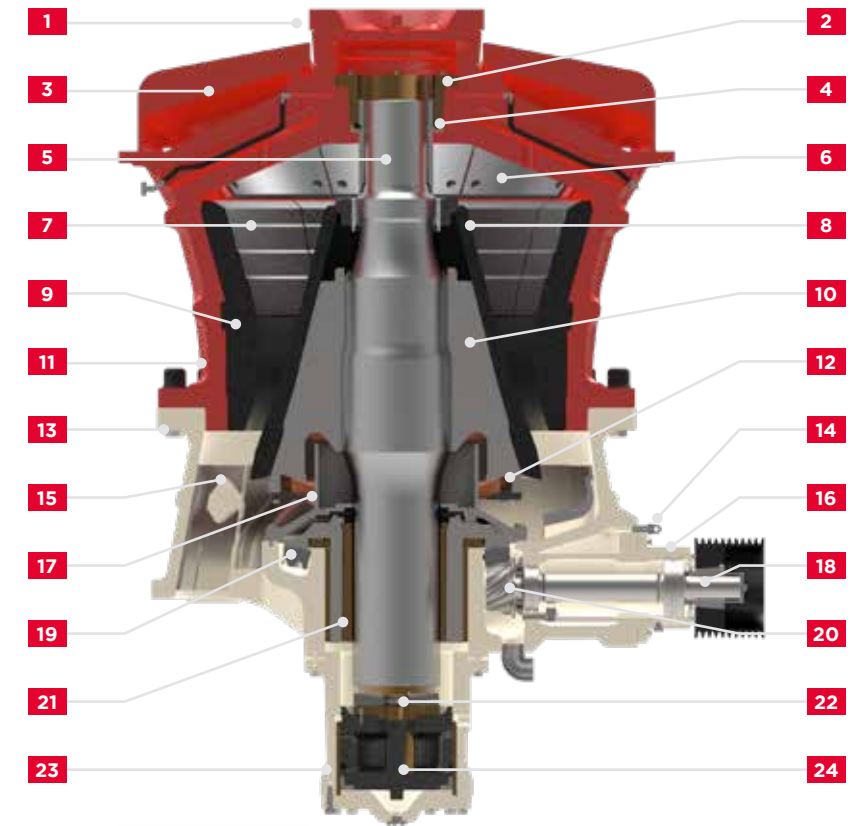


A world working better™

## CROSS SECTION OF SECONDARY TGS CONE

### Secondary Range

1. Spider Bearing Cap & Arm Shields
2. Spider Arm Bearing
3. Top Shell & Spider Arm
4. Mainshaft Sleeve
5. Mainshaft
6. Inlet Ring Wear Plates
7. Concave Liner - Upper Ring
8. Mantle Liner
9. Concave Liner - Lower Ring
10. Cone Head
11. Top Shell
12. Floating Seal Ring
13. Lower Shell/ Main Frame
14. Air Over Pressure Inlet
15. Main Frame Liners
16. Countershaft Housing
17. Dust Collar Ring
18. Countershaft
19. Bevel Gear
20. Spiral Bevel Pinion Gear
21. Inner Eccentric Bush
22. Lower Thrust Bearing
23. Adjustment Piston Sleeve
24. CSS Adjustment Piston



Model Name	TGS120	TGS220	TGS320	TGS420
Maximum Power	120hp (90kW)	215hp (160kW)	335hp (250kW)	422hp (315kW)
*Maximum Feed Size	190mm (7.5")	275mm (10.8")	330mm (13")	385mm (15.2")
Basic Crusher Weight	6,850kg (15,102lbs)	12,100kg (26,676lbs)	19,500kg (42,990lbs)	36,500kg (80,469lbs)
CSS Range	9-35mm (3/16 - 1 1/8")	19-35mm (3/4 - 1 3/8")	29-48mm (1 1/8 - 1 7/8")	38-70mm (1 1/2 - 2 3/4")
Maximum Capacity	132-143mtph (146-158stph)	325-344mtph (358-379stph)	575-601mtph (634-662stph)	1000-1050mtph (1102-1157stph)

\*Maximum Feed Size based on a feed of F<sub>95</sub>  
Crusher range not to scale





## Cedarapids® Services

### Proven Success, Global Reach

A comprehensive range of services. Original spare and wear parts. Customizable solutions to meet your exact needs. Outstanding technical expertise and support.

This is what Cedarapids® delivers to businesses – and what it delivers to businesses throughout the world via our global distribution network, service and distribution facilities and regional warehouses.

### Spare and Wear Part Support

Our OEM parts help maintain and enhance the performance of your equipment – and you can count on us to get you the spare and wear parts you need, when you need them.

Cedarapids® parts are manufactured according to exact specifications, using high-quality materials, tools and techniques. By using genuine parts you are helping to ensure the maximum performance and longevity of your machines.

### A Shared Focus

We understand your key focus is delivering your operational and financial goals. We share that focus: it's how we both measure success.

By combining our global service network and proven, in-depth industry knowledge with your operational expertise we're able to provide you with the right solution to deliver a quality end product – with increased productivity.

### Field Services

We offer a comprehensive set of field services to meet your maintenance, repair and refurbishment needs – which means you get a cost-effective alternative to purchasing new or replacement equipment.

Our experienced field service and distribution network are available to you on site or at our global service facilities. We can repair broken or damaged equipment to like-new condition and restore worn or irreplaceable equipment to perfect operating condition – which minimizes costly downtime for you.

Combining our global service network and deep industry knowledge with your operational expertise ensures that we provide the best solutions...

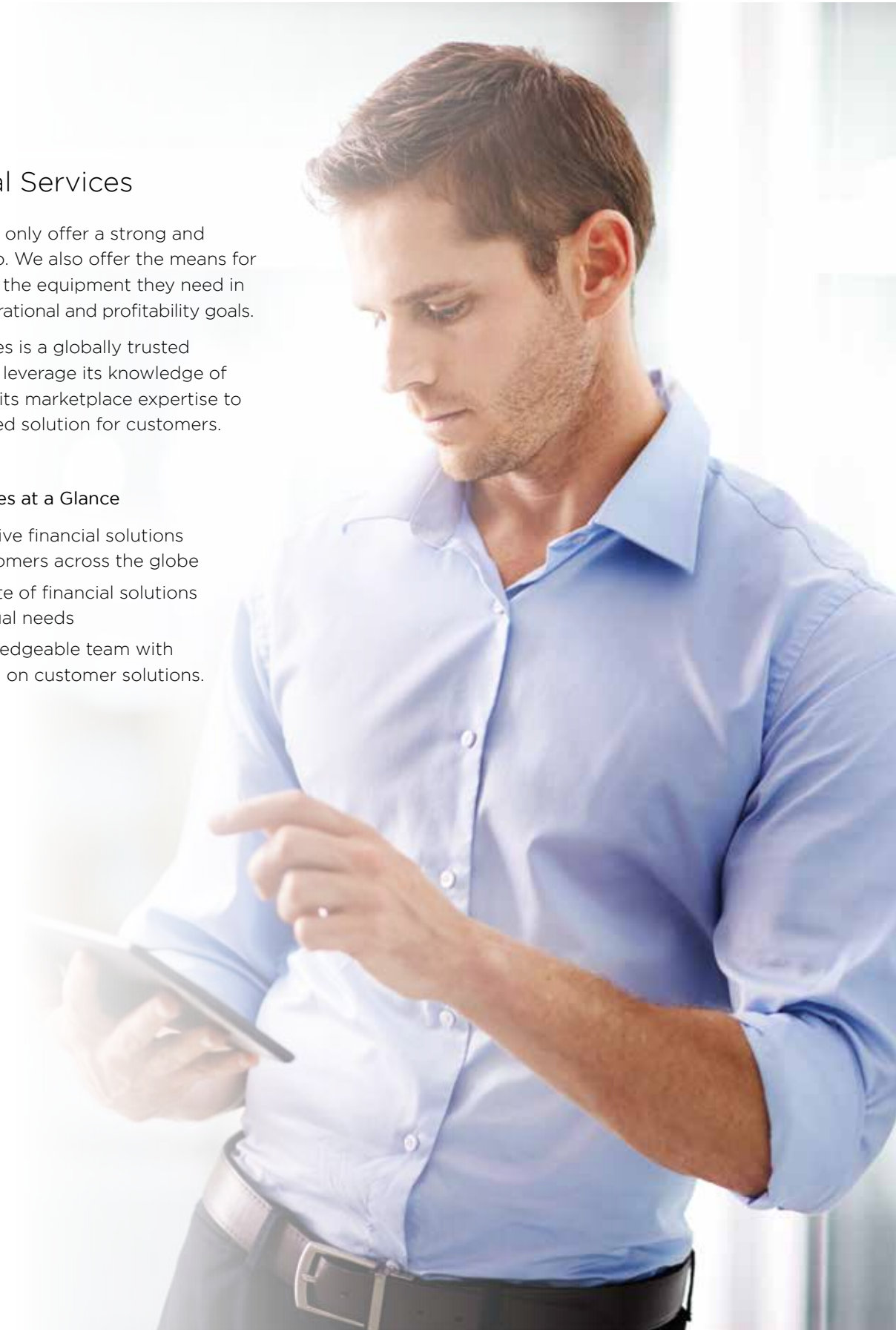
### Terex® Financial Services

At Cedarapids® we not only offer a strong and broad product portfolio. We also offer the means for customers to purchase the equipment they need in order to meet their operational and profitability goals.

Terex® Financial Services is a globally trusted resource that is able to leverage its knowledge of Terex® equipment plus its marketplace expertise to provide a unique tailored solution for customers.

#### Terex® Financial Services at a Glance

- Providing cost-effective financial solutions to thousands of customers across the globe
- A comprehensive suite of financial solutions tailored to fit individual needs
- Dedicated and knowledgeable team with global reach, focused on customer solutions.



# CEDARAPIDS®

A TEREX BRAND



## North America

3900 Fountains Blvd NE, Suite 101  
Cedar Rapids, IA 52411  
Tel: +1 319 363 3511 or +1 800 821 5600  
Fax: +1 319 399 4871

212 South Oak Street  
Durand, MI 48429  
Tel: +1 989 288 3121 or +1 888 571 8352  
Fax: +1 989 288 4113

## Europe, Russia & Africa

Farlough Road, Dungannon  
Northern Ireland. BT71 4DT  
Tel: +44 (0) 28 8744 0795

## Central Asia, Turkey & North Africa Region

Mehmet Akif Ersoy Mah.287.SkNo 1/D  
06172 Yenimahalle - Ankara Turkey  
Tel: +90 312 354 90 90

## Australia

**Melbourne & Victoria**  
133 Logis Boulevard  
Dandenong South, VIC 3175  
Tel: +61 3 8794 4100  
Fax: +61 3 9706 7810

**Sydney & New South Wales**  
114 Hassall Street  
Wetherill Park, NSW 2164  
Tel: +61 2 9604 6524  
Fax: +61 2 9604 9368

**Brisbane & Queensland**  
585 Curtin Avenue East  
Eagle Farm, QLD 4009  
Tel: +61 7 3630 0866  
Fax: +61 7 3630 1097

**Perth & Western Australia**  
4 Miles Road  
Kewdale, WA 6105  
Tel: +61 8 6254 4100  
Fax: +61 8 9350 5534

[www.terexmps.com](http://www.terexmps.com)  
[mpsmarketing@terex.com](mailto:mpsmarketing@terex.com)

Product specifications and prices are subject to change without notice or obligation. The photographs and/or drawings in this document are for illustrative purposes only. Refer to the appropriate Operator's Manual for instructions on the proper use of this equipment.

Failure to follow the appropriate Operator's Manual when using our equipment or failure to act responsibly may result in serious injury or death.

The only warranty applicable to our equipment is the standard written warranty applicable to the particular product and sale, and Terex makes no other warranty, express or implied. Terex, the Terex Crown design, Cedarapids, Canica, Simplicity, Jaques, El-Jay and Rollercone are trademarks of Terex Corporation or its subsidiaries. All rights are reserved. © February 2020

