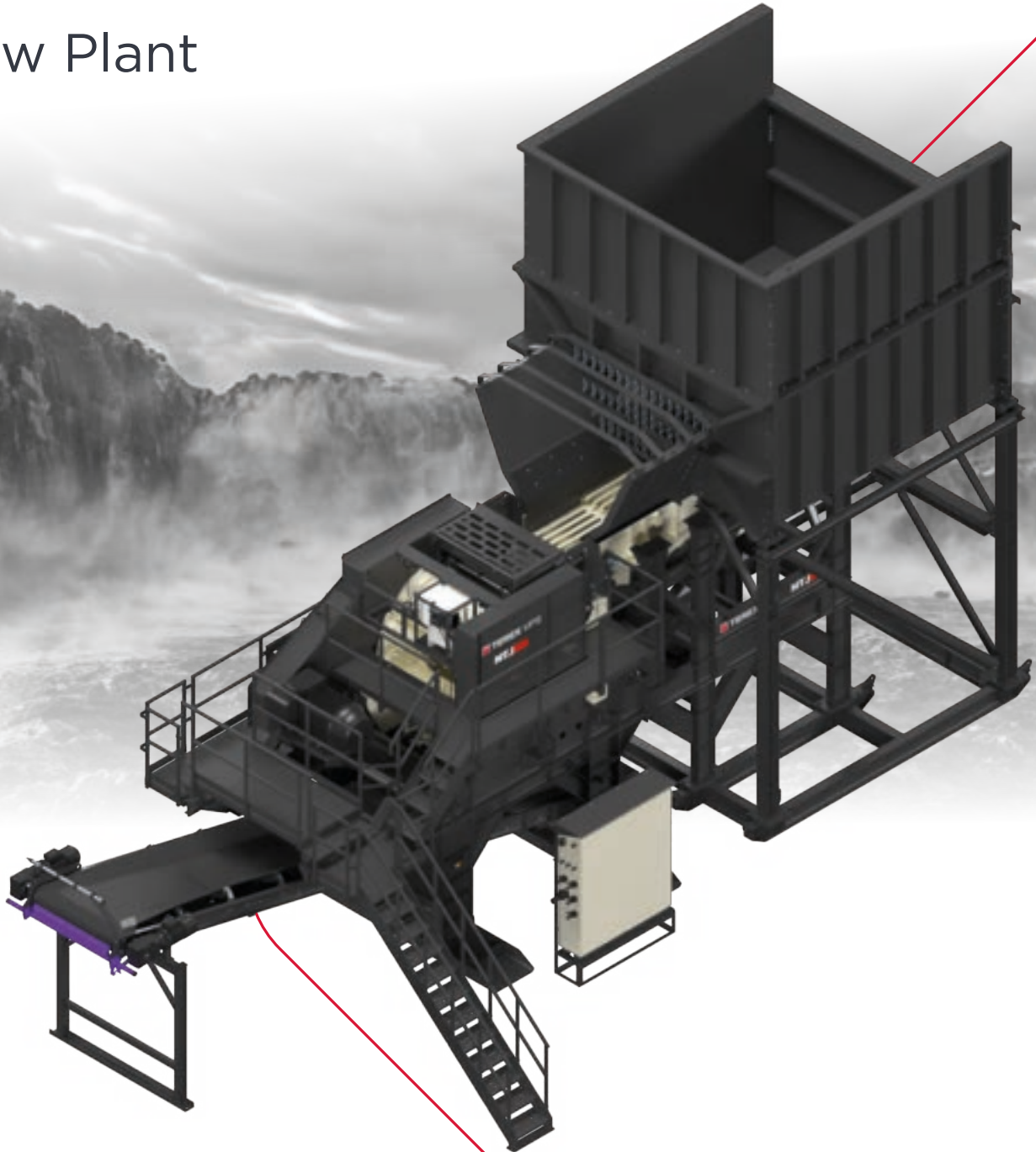




Modular Plant

MTJ55

Jaw Plant



A world working better™

Modular Plant - MTJ55 Jaw Plant



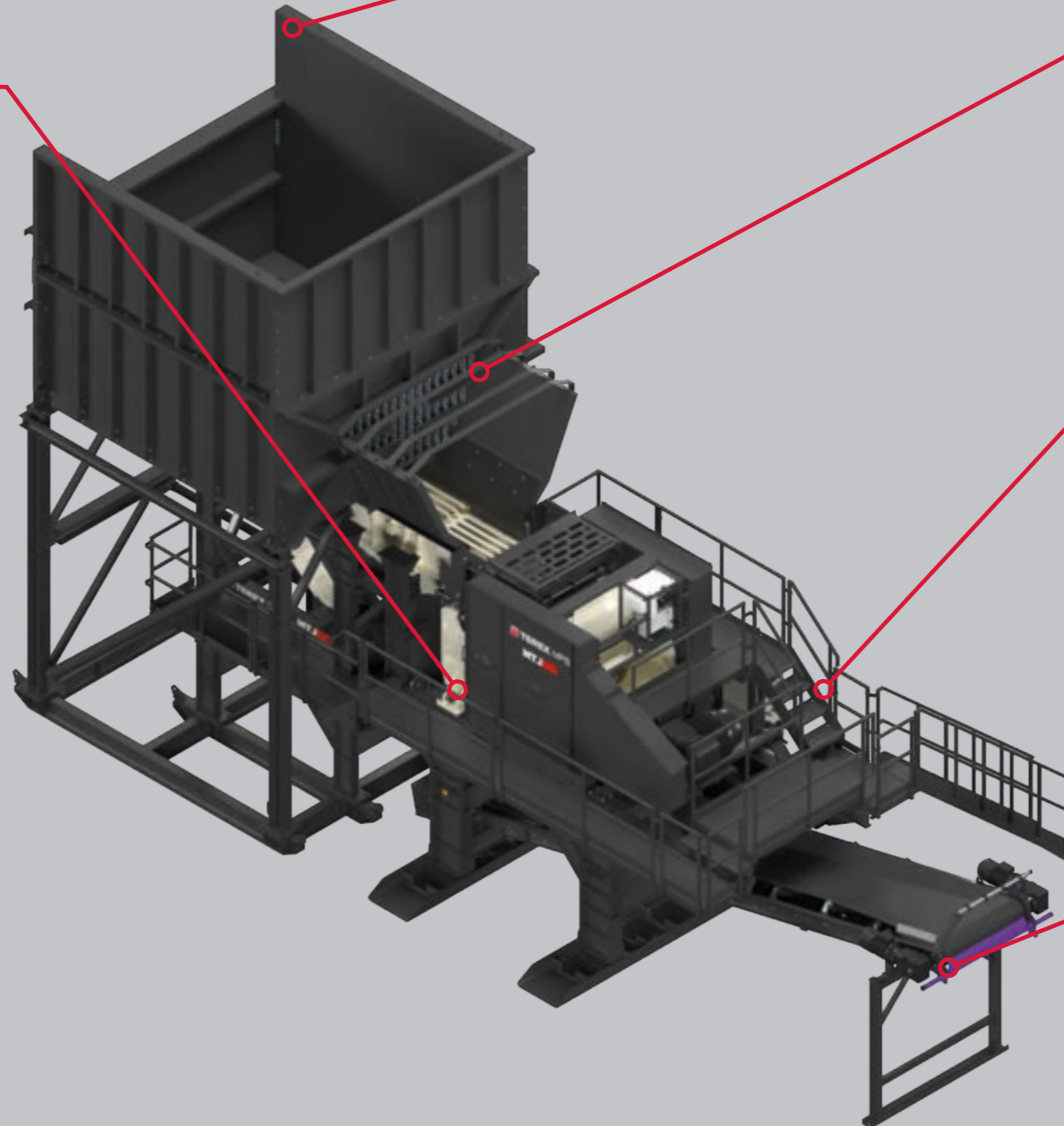
Designed around our proven, high-performance JW55 jaw crusher, the Terex MPS® MTJ55 modular jaw crusher is designed for large quarries or contractors that want a stationary type design without the complexity of a normal stick-built plant. The modular structure can be transported in standard shipping containers plus a flat rack for the crusher and can be bolted together quickly on site with basic tools. Its hydraulically actuated wedge system allows closed-side settings to be made quickly and easily.

JAW CRUSHER

- Terex JW55 Chamber standard super tooth liner profile
- 820 *1400 Jaw Chamber
- Fabricated main frame with bolt on bearing cartridge
- Direct electrical driven jaw crusher via belt system
- Standard adjustments: Hydraulic Wedge-Assist closed side settings via shims
- Hydraulic overload protection
- CSS opening Range: 88 - 225 mm
- 150KW (200HP), Crusher Motor - 415V, 3 Phase, 50Hz
- Crusher Speed - 250 RPM
- Lubrication System - Grease

Jaw Specifications

Feed Opening	32 x 55 in	820 x 1400 mm
Maximum Feed Size	27.5 in	700 mm
Recommended CSS Range	3.5 - 9 in	88 - 225 mm
Max Tonnage at Max CSS	700 tph	
Maximum Power	200 hp	150 kW
Maximum RPM	250	250
PCD of Pulley	64.8 in	1,645 mm
Heaviest Lift	21,370 lb	9,700 kg
Total Weight	57,860 lb	26,250 kg
Flywheel Diameter	65 in	1,650 mm
Flywheel Face	11 in	275 mm
Stationary Jaw Length	70 in	1,775 mm
Movable Jaw Length	69 in	1,750 mm



HOPPER

- 30Cum. Truck Loading Hopper
- Rock Box Design
- Crusher Speed - 250 RPM
- Lubrication System - Grease

MODULE STRUCTURE

- Bolts together on-site, quick setup time with basic tools
- Pre-wired "plug and play" design, minimal on-site wiring
- Robust weather-protected control panel with user-friendly controls
- Painted steel structure including walkways, stairs, and guard rails
- Systematically packed in shipping containers for quick site setup and easy transport

VIBRATING GRIZZLY FEEDER

- Spring mounted vibrating pan and grizzly feeder
- Vibrating unit: twin heavy-duty cast eccentric shafts running in spherical roller bearings, gear coupled at drive end
- V-belt drive, 20 hp (15kW) motor with guard
- Two Deck Vibrating Grizzly 4360 *1088 mm.
- Total Grizzly Length of 7"
- Under-screen: rubber blanking mat; wire mesh is optional

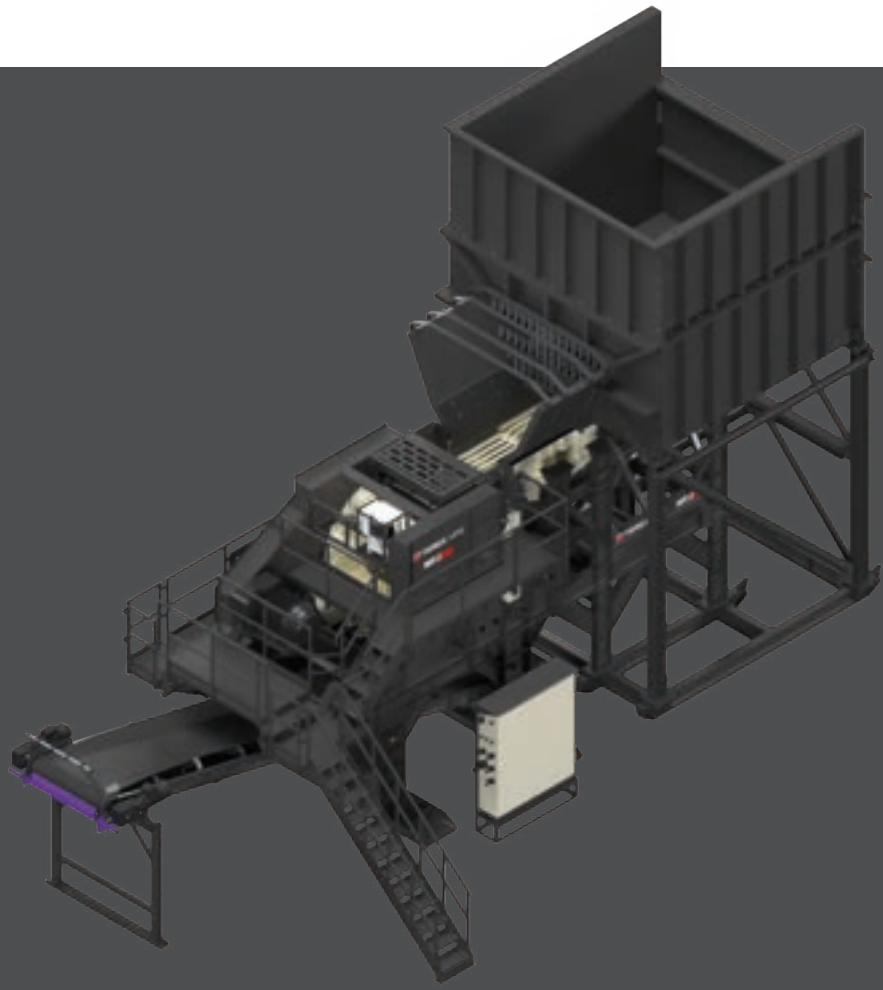
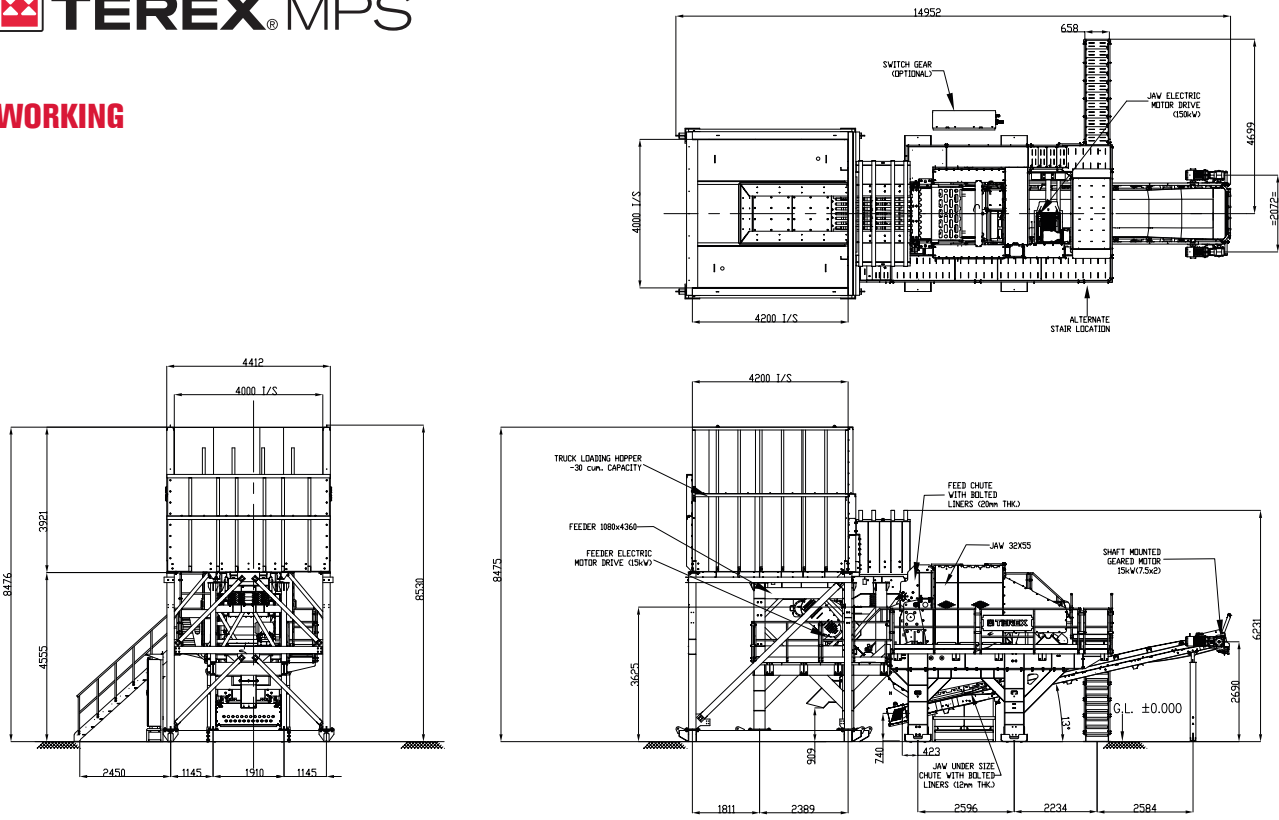
PLANT CHUTE-WORK

- Grizzly fines/bypass 2-way chute discharges to product conveyor or optional fines conveyor when fitted; hand operated flap door directs grizzly fines

DISCHARGE CONVEYOR

- 40" (1000mm) 3-ply belt with 15 hp (7.5 kW * 2 motors) electric drive motor
- Impact bars at feed point
- Abrasion resistant liners at crusher feed point
- High spec scraper at head drum
- Skirted full length

WORKING



www.terexmps.com

August 2024. Product specifications and prices are subject to change without notice or obligation. The photographs and/or drawings in this document are for illustrative purposes only. Refer to the appropriate Operator's Manual for instructions on the proper use of this equipment.

Failure to follow the appropriate Operator's Manual when using our equipment or failure to act responsibly may result in serious injury or death.

The only warranty applicable to our equipment is the standard written warranty applicable to the particular product and sale, and Terex makes no other warranty, express or implied. Terex, the Terex Crown design, Cedarapids, Canica, Simplicity, Jaques, El-Jay and Rollercone are trademarks of Terex Corporation or its subsidiaries. All rights are reserved. © 2024

