



Terex® MPS Wheeled Plants

WJ3042i



A world working better™

Wheeled Jaw Plant WJ3042i

The Terex® WJ3042i is a high performance and aggressive wheeled jaw crusher plant. Incorporating a Terex® JW42 jaw crusher and a heavy duty vibrating grizzly feeder the Terex® WJ3042i gives optimum production in a range of applications.

Its compact size, quick set up times, ease of transport and simple maintenance make the Terex® WJ3042i ideal for quarrying, mining, demolition and recycling applications.

Applications	
Sand & Gravel	C & D Waste
Blasted rock	Overburden
River rock	Processed ores / Coal Crushing

Features & Benefits

- High output and reduction capability
- Plant operated with truck loading hopper with less maintenance
- Stepped grizzly feeder with under feeder screen
- Quick setup wheeled jaw unit
- Proven Terex JW42 jaw crusher
- Push button CSS adjustment
- Heavy duty conveyor with full skirt board design & impact bars directly under jaw discharge area
- 2 way bypass chute diverts material passing grizzly to main product conveyor.
- Mounted on chassis with removable type triple axle bogie with tail lights
- Plants are designed for containerization

Options

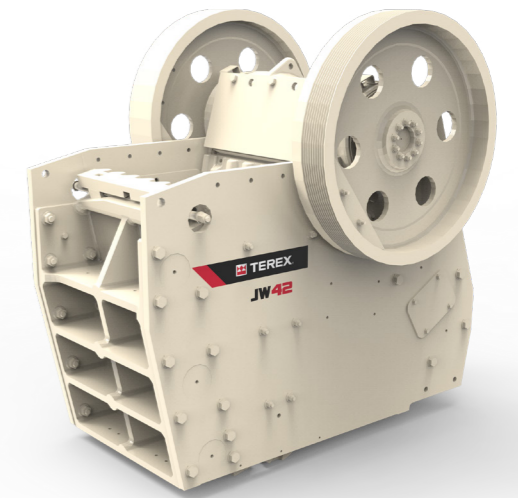
- Easy and fast set up with hydraulic legs
- Wear resistant feed hopper made up of AR 400
- Off field side conveyor for grizzly undersize material collection
- Self-cleaning permanent magnet on main conveyor
- Maintenance platform for VGF assembly

JW42 Jaw Crusher

Specifications	kW	hp
Motor Size	110	150
Feed opening	1070mm x 760mm	(42" X 30")
Crusher weight	17,300 kg	(39,310 lb)
Setting Range	75 mm to 210 mm	(3" X 8.3")
Capacity	135 MtpH - 430 MtpH	(155 stph - 480 stph)
CSS Adjustment	Hydraulic wedge (Push button)	
Frame	Bolted	
Lubrication	Grease	

Weights	Kingpin Weights	Axle Weights	Total Weights
Base Plant	17,830 kg (39,310 lb)	27,480 kg (60,580 lb)	45,310 kg (99,890 lb)

Note: The capacities are based on dry, free flowing material with a Crushing Work Index of 16 and a bulk density of 1600 kg/cu m (100 lbs/cu ft). The data requires careful interpretation for particular materials and applications as machine capacity can be greatly affected by material properties and method of feeding.



Electrical Components

- Jaw unit electricals including cable kit, control panel and operator panel (standard plant set for 415v/50Hz)
- Weather protected robust control panel houses user-friendly controls

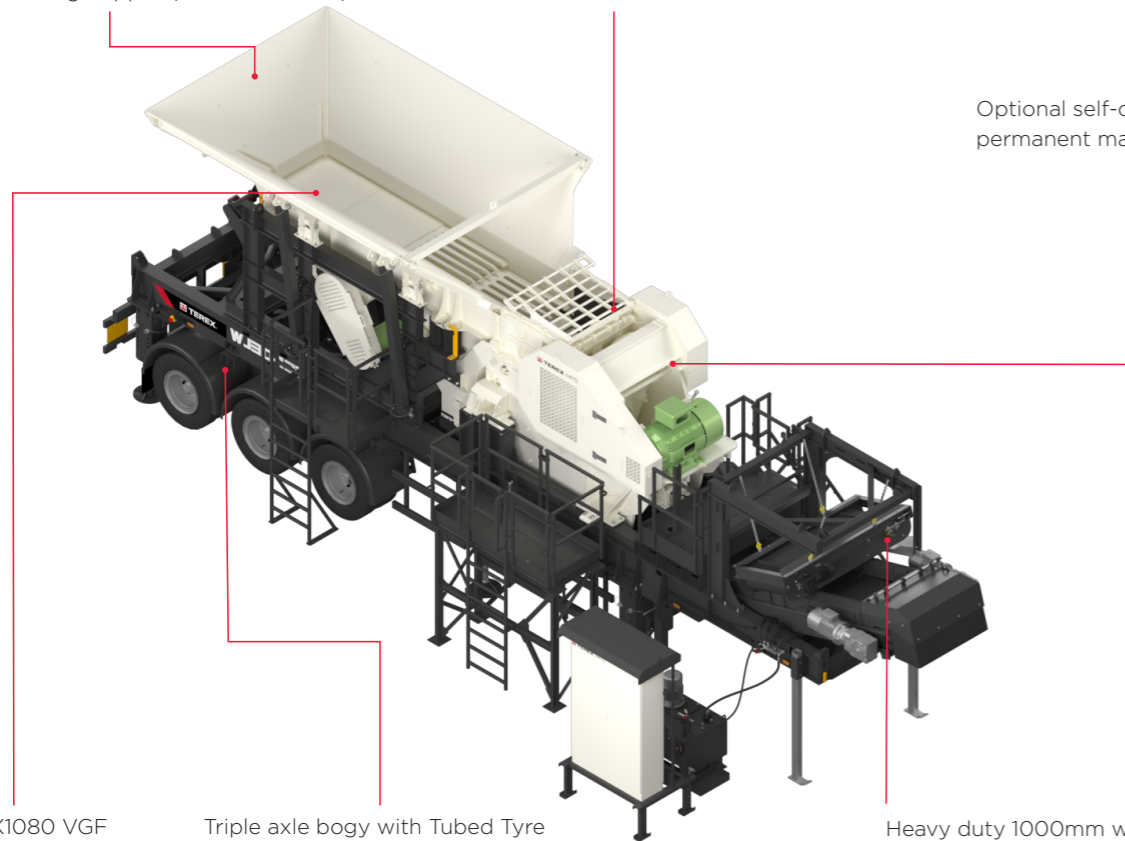
Options

- Truck Loading hopper - capacity 30 cub mt
- Foldable wing hopper - capacity 10 cub mt

9 cub mt wing hopper (16 mm, AR 400)

JW 42 Crusher 110 kW Motor

Optional self-cleaning permanent magnet

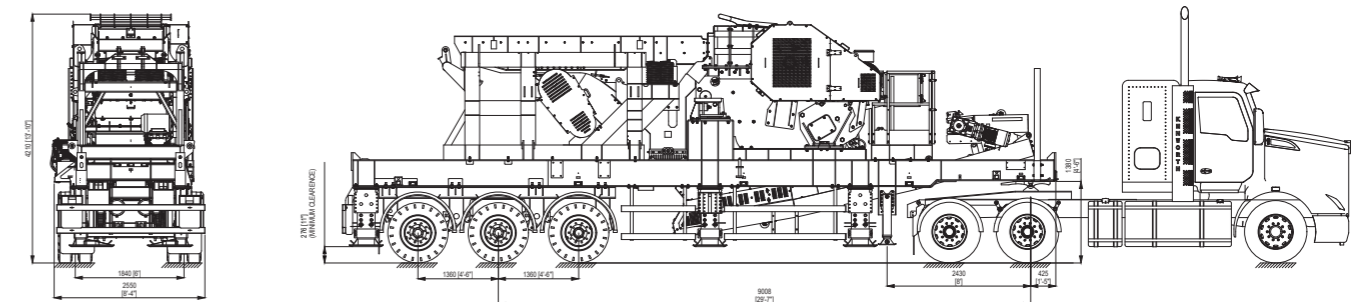


4360X1080 VGF with 15kw motor

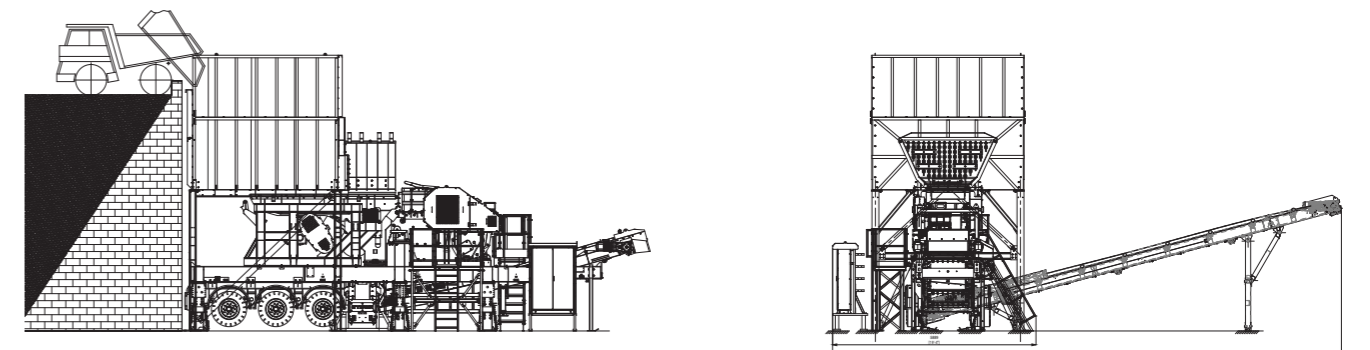
Triple axle bogie with Tubed Tyre 10.00 R20 & 7.5x20 Steel Rim

Heavy duty 1000mm wide conveyor - 7mt length with 11kw shaft mounted geared motor (2X5.5kw)

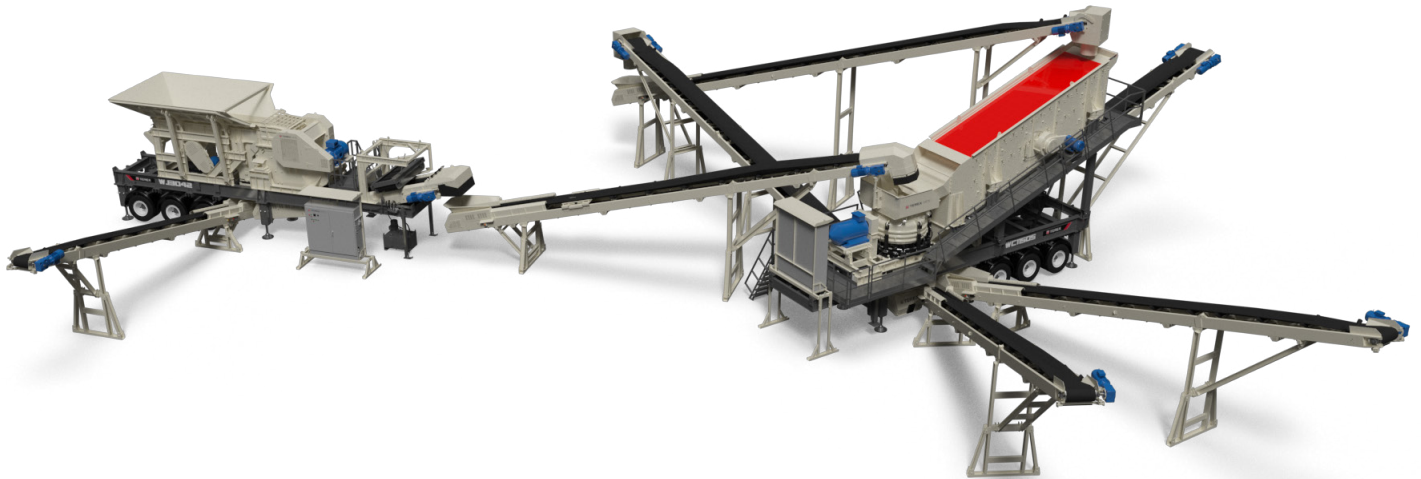
Transport Mode



Operating Mode



Available as a stand-alone plant or as part of a multi plant system



www.terexmps.com

Product specifications and prices are subject to change without notice or obligation. The photographs and/or drawings in this document are for illustrative purposes only. Refer to the appropriate Operator's Manual for instructions on the proper use of this equipment.

Failure to follow the appropriate Operator's Manual when using our equipment or failure to act responsibly may result in serious injury or death.

The only warranty applicable to our equipment is the standard written warranty applicable to the particular product and sale, and Terex makes no other warranty, express or implied. Terex, the Terex Crown design, Cedarapids, Canica, Simplicity, Jaques, El-Jay and Rollercone are trademarks of Terex Corporation or its subsidiaries. All rights are reserved. © March 2023

