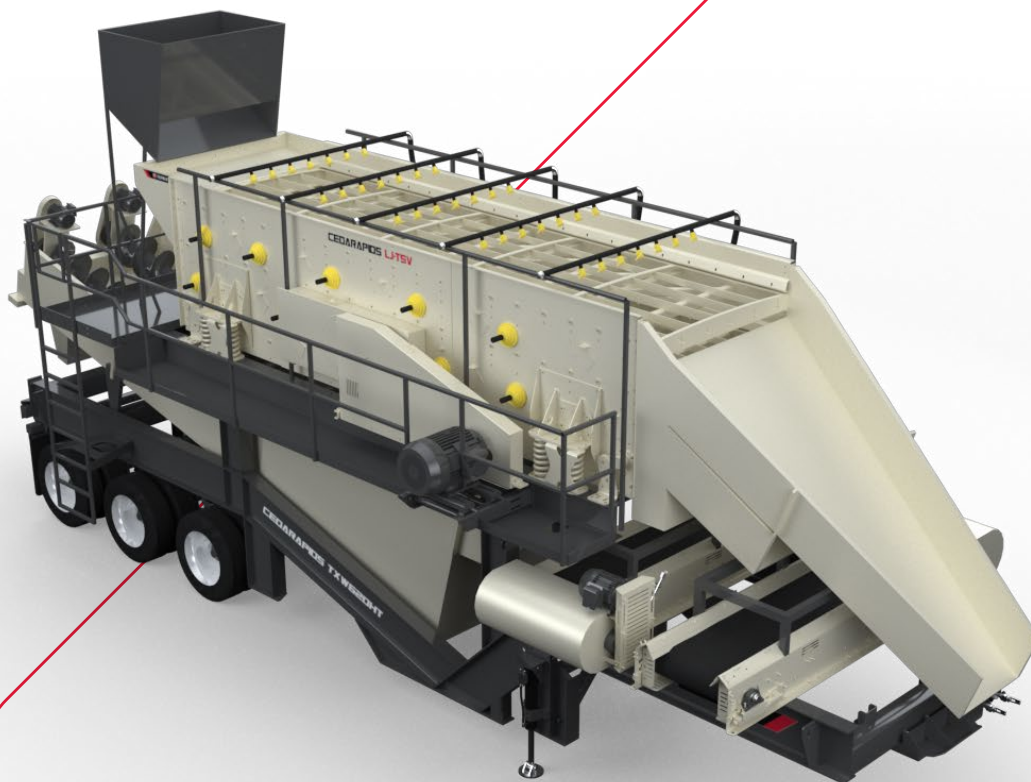


**CEDARAPIDS®**  
A TEREX BRAND

## Portable Plants

### TXW620HT Horizontal Wash Plant



A world working better™

 **TEREX®** MPS

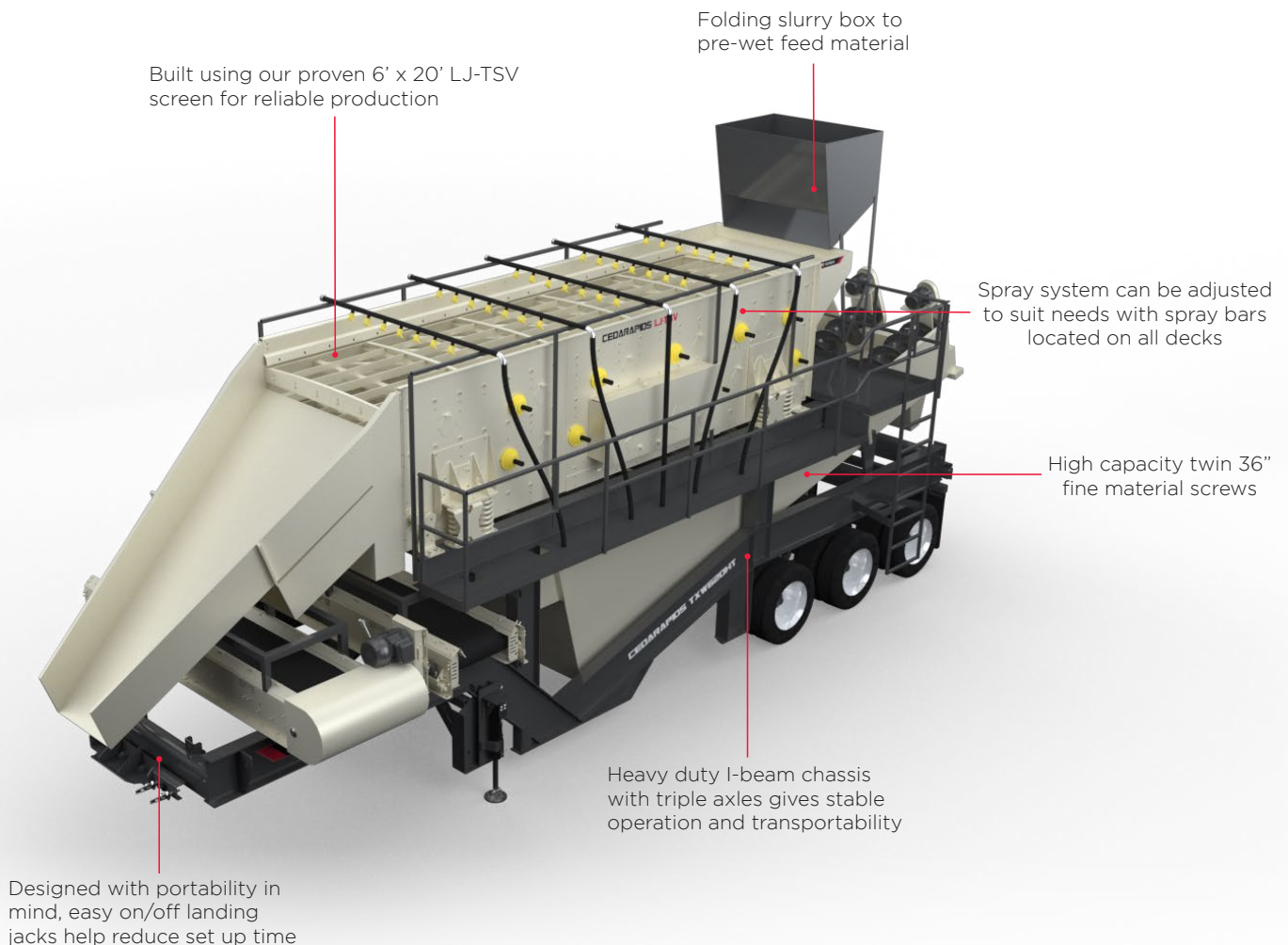
# Cedarapids® Portable Plants

## TXW620HT Horizontal Wash Plant

The Cedarapids TXW620HT combines a 6' x 20' Triple Shaft Horizontal three deck screen with a complete spray system. The screens are complemented by twin dewatering screws and fitted with strategically placed nozzles for material scrubbing. High capacity dewatering screws deliver the fine aggregates while chutes and cross conveyors deliver the sized products.

### Standard Features

- 6' x 20' Triple Shaft Horizontal three deck screen with complete spray system
- Portable chassis made using heavy-duty I-beam construction with four cribbing support legs with two manual landing jacks for easy truck removal. Chassis includes a triple axle suspension, twelve (12) 11:00 x 22.5 x 12 ply tires, 5th wheel, air brakes on two axles, mud flaps and tail lights
- 40 hp (30 kw) 1200 rpm, TEFC electric motor with screen V-belt drive
- Under-screen fines collection flume made using 1/4" plate with splash-type spray system. Water spray system on all screen decks, flume and washout
- 36" x 25' Twin Screw with two 15 hp (11 kW) drives
- Standard hinged slurry box with spray bar, manifold with the necessary hardware, valves and hoses



- Heavy-duty discharge chute made from 1/4" plate and lined with A.R. plate in heavy wear areas.
  - Top deck over chute discharges to the front of the plant
  - Middle deck chute discharges to the side
  - Bottom deck chute discharges to a 24" cross conveyor
- 24" x 10'9" long reversible cross conveyor with 7.5 hp, TEFC motor, 5" diameter Cema B troughing idlers with three-ply belting
- All standard guards provided
- Walkway access around three sides of the screen with an access ladder

### Specifications

Travel height	14' 8"
Travel width	13' 1"
Travel length	46' 6"
King pin weight	22,750 lbs
Tri-axle suspension weight	46,000 lbs
Total weight	69,750 lbs

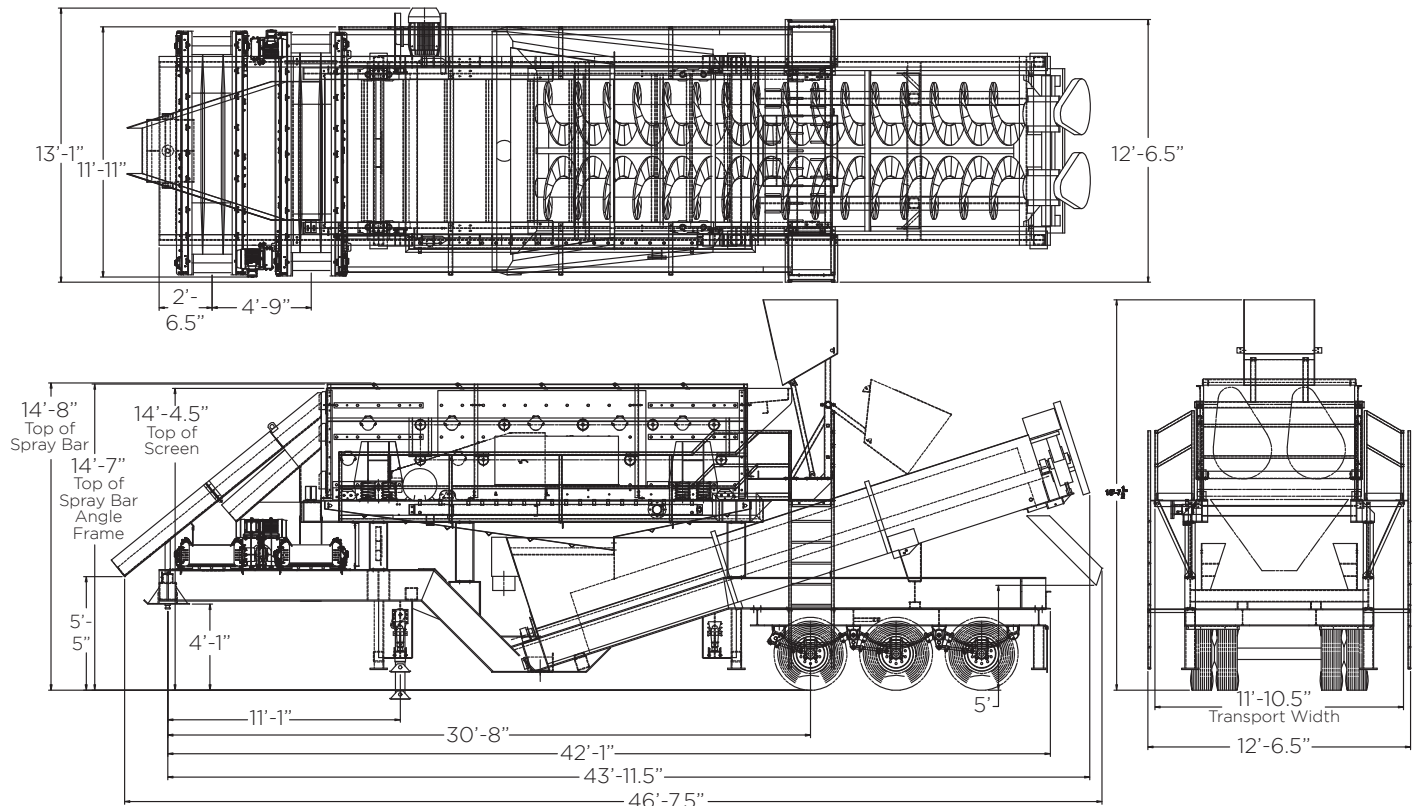
### Power Requirements

	hp	kW
Screen	40	30
Twin Screw drives	2 x 15	2 x 11
Cross conveyor	7.5	6

### Optional Equipment

- Electrical switchgear panel
- Additional starts for off-plant conveyors
- Remote CCM motor controls
- 24" x 10'9" long reversible cross conveyor for second deck with 7.5 hp, TEFC motor, 5" diameter Cema B troughing idlers with three-ply belting

### Dimensions





[www.terexmps.com](http://www.terexmps.com)

Product specifications and prices are subject to change without notice or obligation. The photographs and/or drawings in this document are for illustrative purposes only. Refer to the appropriate Operator's Manual for instructions on the proper use of this equipment.

Failure to follow the appropriate Operator's Manual when using our equipment or failure to act responsibly may result in serious injury or death.

The only warranty applicable to our equipment is the standard written warranty applicable to the particular product and sale, and Terex makes no other warranty, express or implied. Terex, the Terex Crown design, Cedarapids, Canica, Simplicity, Jaques, El-Jay and Rollercone are trademarks of Terex Corporation or its subsidiaries. All rights are reserved. © November 2020

