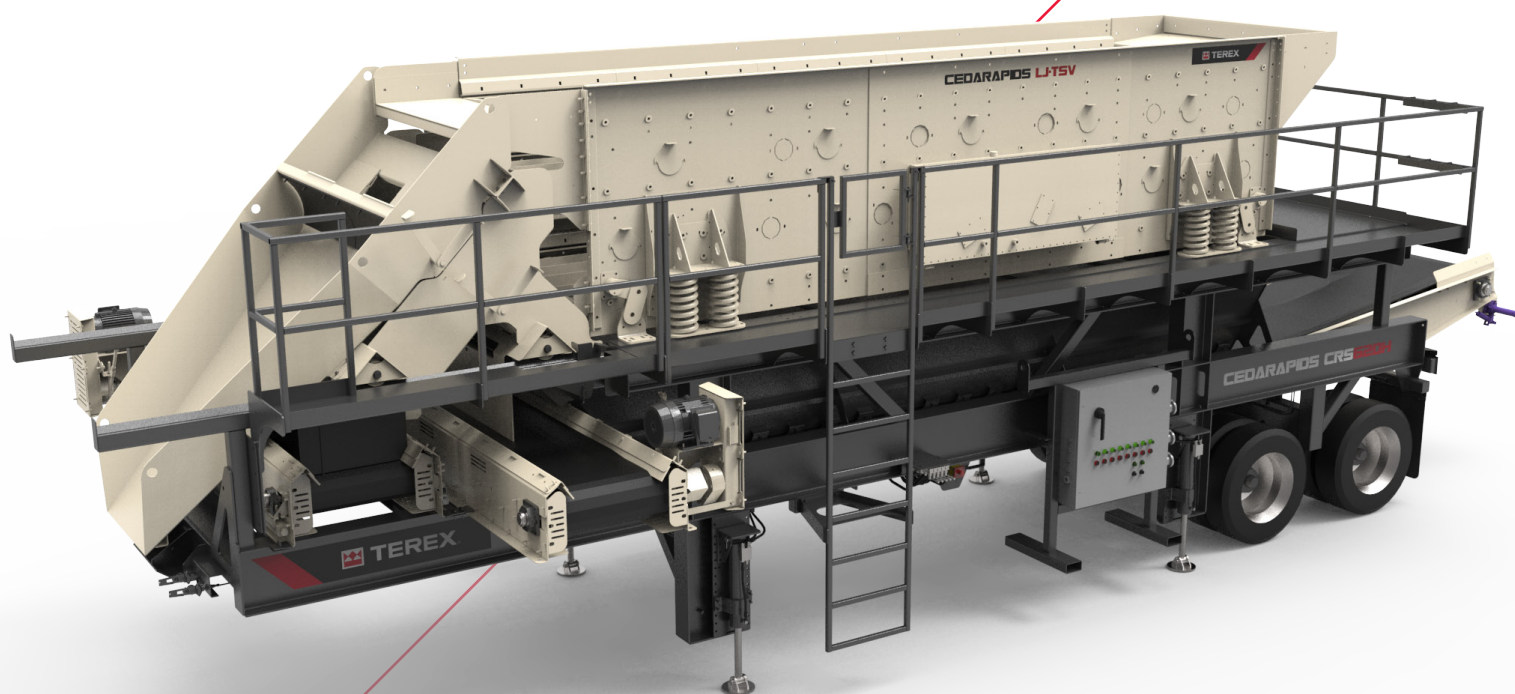


CEDARAPIDS®
A TEREX BRAND

Portable Plants

CRS620H
Screen Plant



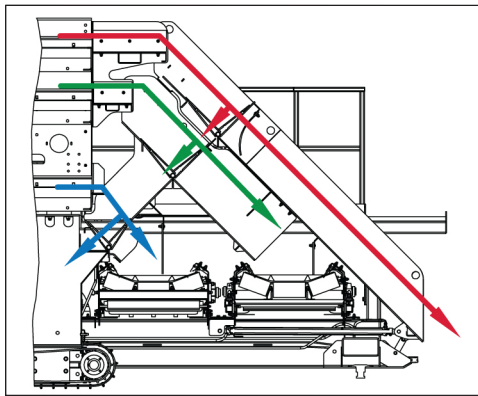
A world working better™

 **TEREX® MPS**

Cedarapids® Portable Plants

CRS620H Screen Plant

The Cedarapids® CRS620H screen plant features the popular 6' x 20' (1830mm x 6096mm) TSV6203 screen, along with a flex shaft screen drive and roll-away blending chutes, make this a leader in the screen plant market. The wide conveyor belts handle peak load conditions easily. The plant is designed to get the most out of the screen so there is plenty of capacity to make the crushers the bottleneck in the circuit, not the screen.



Standard Features

TSV6203-32 heavy-duty triple-shaft oval stroke screen

- Adjustable screen stroke angle and stroke length
- Patented deck deflectors add 12% capacity to the bottom deck
- 5/16" (8 mm) thick side plates & beam to beam braced decks
- Patent-pending low maintenance surge dampers/ship braces
- Patented triple-shaft lubrication system
- QuickLube connections for TOPS 2.0 filter system

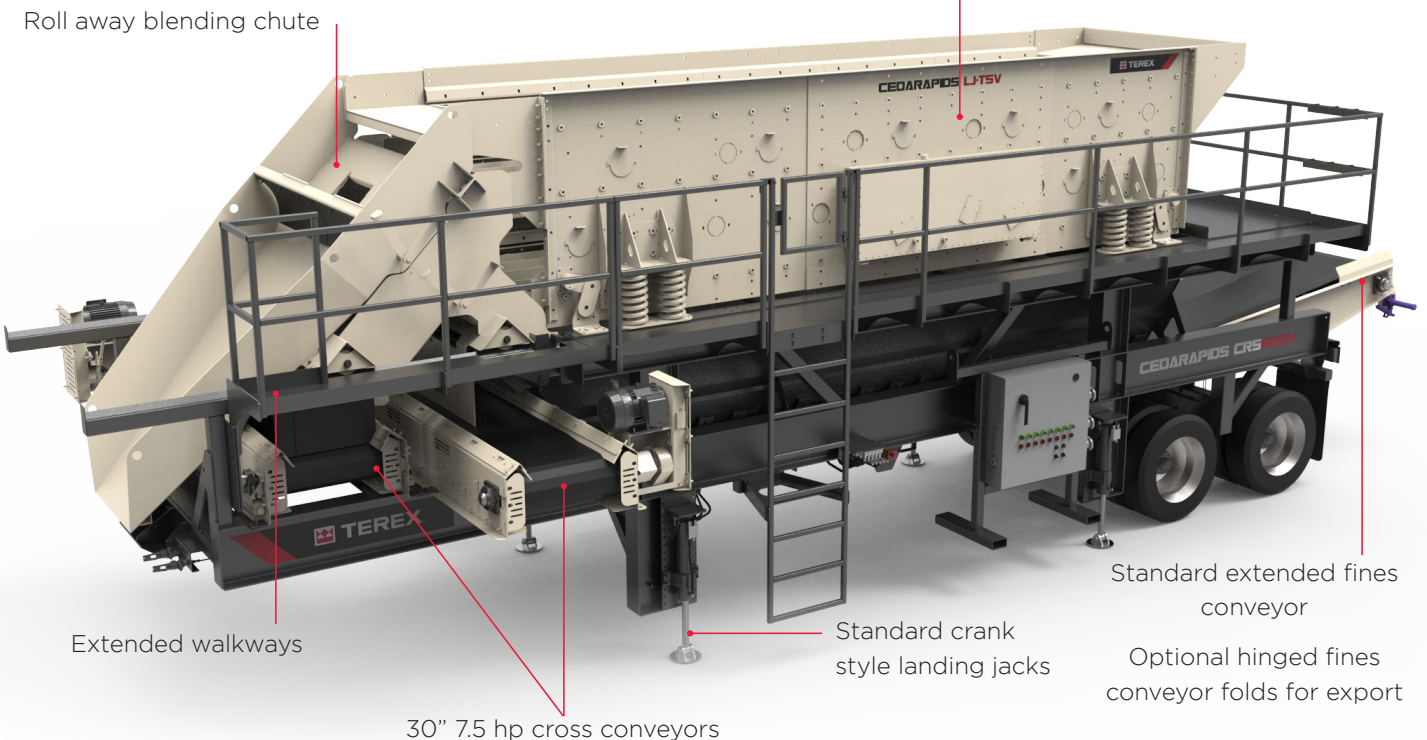
Patented low maintenance 40 hp flex shaft screen drive

- No drive belt whip or tension idler
- No drive belt pull affecting screen movement
- Drive folds for travel without shaft disassembly

Heavy-duty roll-away blending chutes for screen cloth access

- 3/8" (9.5 mm) AR400 steel construction
- Four section (25%) blending gates for all decks
- Combine decks: top-center, center-bottom, bottom-fines

Clamp bar stowage racks on feed end of screen walkway



Rugged heavy-duty conveyor systems

- Inclined 48" (1219 mm) 7.5 hp (5.6 kW) fines conveyor with extended discharge clearance and primary style belt wiper
- Dual 30" (9762 mm) reversible 7.5 hp (5.6 kW) cross conveyors extend up to 42" (1067 mm) beyond main frame
- 3-ply belts with vulcanized belt splices
- Cema C class troughing idlers and rubber disk return idlers
- Class II shaft mount gear boxes and TEFC motors
- Belt centering side roller guides
- Easy access belt take-up (end pull on cross conveyors)

Heavy-duty I-beam main frame

- Tandem axle 25,000 lb (11340 kg) leaf spring suspension
- Air brakes with spring applied emergency brakes
- Lights and splash guards
- Eight 295/75 R22.5 tires and two crank-style landing jacks

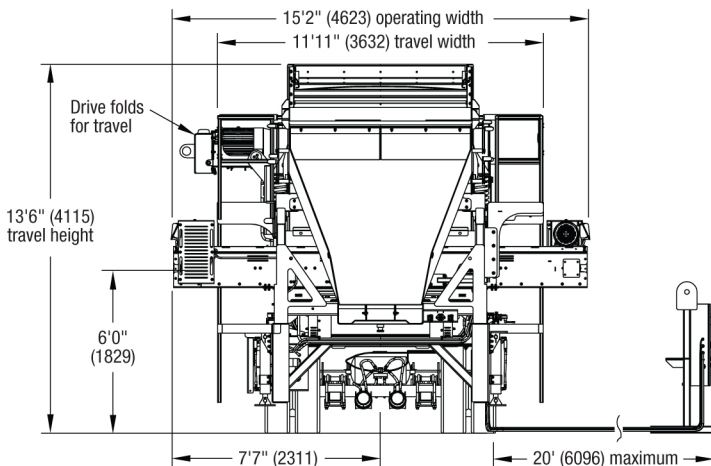
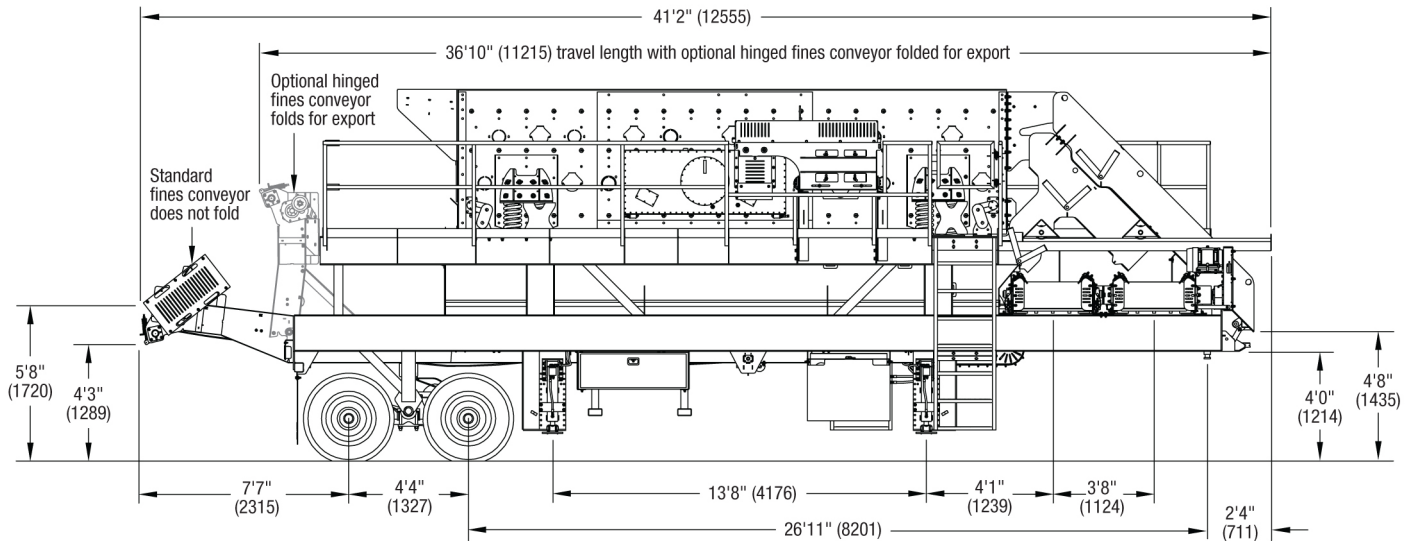
| Specifications | Dimensions | | Horsepower | |
|---------------------------|------------|----------------|------------|--------|
| Cedarapids TSV6203 Screen | 6' x 20' | 1829 x 6096 mm | 40 hp | 30 kW |
| Underscreen conveyor | 48" | 1219 mm | 7.5 hp | 5.6 kW |
| Cross conveyors | 30" | 762 mm | 7.5 hp | 5.6 kW |

Extra-wide walkways on both sides and feed end of screen

- Non-skid surfaces can be shovel cleaned
- Spring-return safety gates and ladders on both sides

| Estimated Weights | Kingpin | Axles | Total |
|-------------------|-----------------------|-----------------------|-----------------------|
| Base plant | 24,000 lb (10,890 kg) | 29,000 lb (13,155 kg) | 53,000 lb (24,045 kg) |

Dimensions



Unit shown with the following options: extended walkway along chutes, hydraulic power for roll-away chutes, removable switchgear panel, and 4 crank jacks.

Optional equipment

- Extended walkway along chutes
- Hydraulic power for roll-away chutes
- Removable switchgear panel and frame with 20' (6096 mm) extra cable and cable wraps
- Two crank-style rear leveling jacks
- Four hydraulic leveling or pinned run-on jacks
- Oversize 315/80 R22.5 tires
- 2" to 3.5" (51 mm to 89 mm) convertible king pin
- Magnetic screen deck liners for cross beams and diagonal braces
- TOPS 2.0 portable oil filter system
- Hinged fines conveyor for export

North America

3900 Fountains Blvd NE, Suite 101
Cedar Rapids, IA 52411
Tel: +1 319 363 3511 or +1 800 821 5600
Fax: +1 319 399 4871

212 South Oak Street
Durand, MI 48429
Tel: +1 989 288 3121
Fax: +1 989 288 4113

www.terexmps.com
mpsmarketing@terex.com

Product specifications and prices are subject to change without notice or obligation. The photographs and/or drawings in this document are for illustrative purposes only. Refer to the appropriate Operator's Manual for instructions on the proper use of this equipment.

Failure to follow the appropriate Operator's Manual when using our equipment or failure to act responsibly may result in serious injury or death.

The only warranty applicable to our equipment is the standard written warranty applicable to the particular product and sale, and Terex makes no other warranty, express or implied. Terex, the Terex Crown design, Cedarapids, Canica, Simplicity, Jaques, El-Jay and Rollercone are trademarks of Terex Corporation or its subsidiaries. All rights are reserved. © February 2023