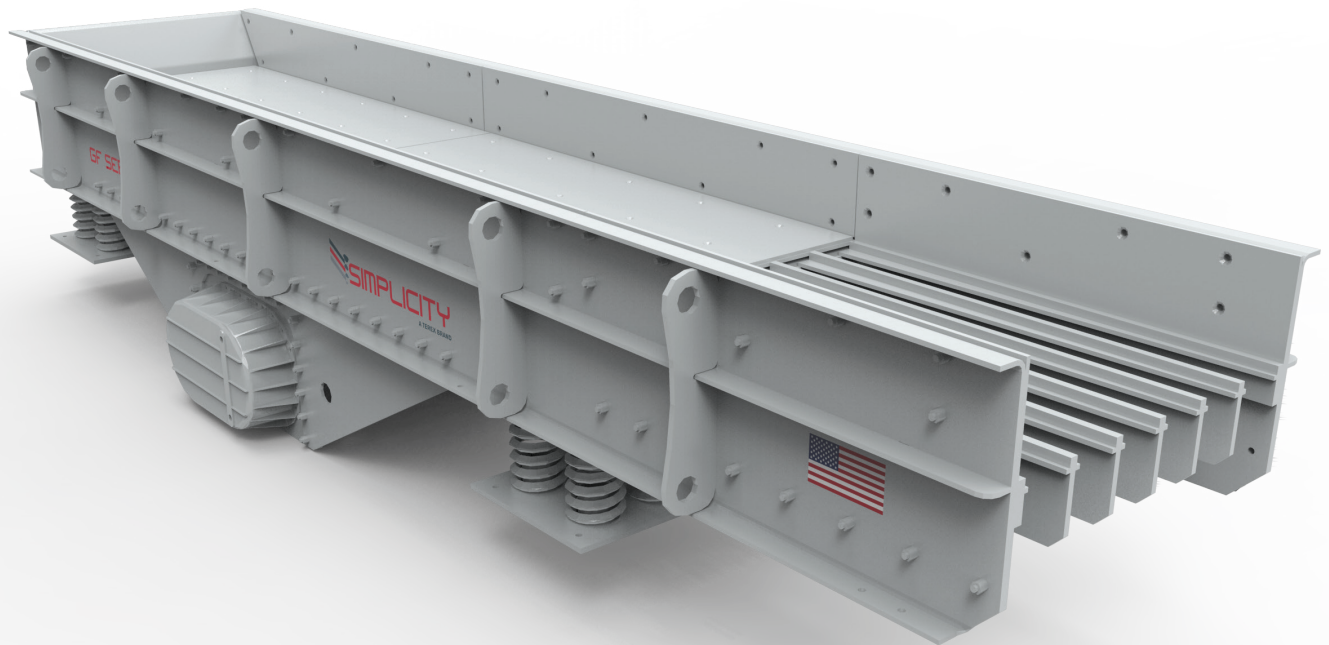




Vibrating Grizzly & Pan Feeders

GF Series - PF Series - VM Series



Built for Strength, Durability, and Consistent Performance

Engineered for severe-duty applications, Simplicity® feeders are built with heavy-duty construction and proven components to withstand extreme impact, continuous vibration, and demanding operating conditions. Every design detail focuses on maximizing strength, minimizing downtime, and delivering smooth, consistent material flow in the toughest environments.

Key Features and Advantages

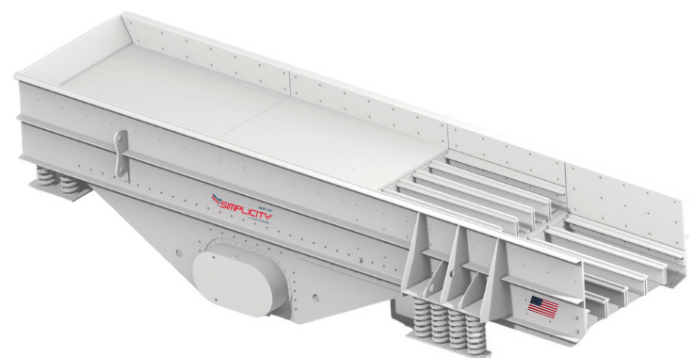
- Heavy-duty steel channel construction delivers maximum strength for severe impact and high-load operations
- Deep side channels help contain material and minimize spillage
- Extra-heavy cross members and filler bar subdeck provide long service life and reliable, trouble-free operation
- Major assemblies are Huck® bolted instead of welded, reducing stress concentrations and allowing fast, easy component replacement
- Heavy-duty coil spring support system extends service life while reducing downtime
- Powerful oscillating twin-shaft vibrating drive assembly helps prevent material bridging and costly production interruptions
- Vibrating mechanism uses standard bearings with oil-bath lubrication for extended life, even in the most severe operating conditions
- Large-diameter visual oil sight gauges allow quick and easy inspection of oil levels
- Optimized pan design and controlled vibrating action ensure even material distribution and consistent flow across the feeder

Wear Protection and Pan Configurations

- Replaceable pan liners are available in multiple materials to match your wear and material demands, including:
 - Mild steel
 - Abrasion-resistant steel
 - Stainless steel
 - Rubber

Pan configurations are available to suit a wide range of applications, including:

- Flat bottom
- Grizzly
- Perforated plate
- Single surface
- Step deck
- End discharge
- Intermediate discharge



Vibrating Grizzly Feeder GF Series

The Simplicity® GF Series Grizzly Feeder delivers proven performance, durability, and precise material control. Featuring a heavy-duty pan section and integrated grizzly bars in a single robust unit. Feeder is engineered to scalp fines at the point of feed, maximizing crusher performance and improving plant efficiency.

Simplicity Grizzly Feeders reduce maintenance costs and lower capital investment by combining the feeder and grizzly into a single, integrated unit. The GF Series directs oversized material to the crusher or rip rap pile, while fines pass through the grizzly bars for screening or removal, therefore improving efficiency and simplifying material flow.

Simplicity GF Series Grizzly Feeders are available in sizes ranging from 39" x 10' (990 mm x 3,048 mm) to 86" x 24' (2,184 mm x 7,300 mm). Each unit can be customized to meet specific application requirements, with a wide range of available options to match your material, capacity, and operating conditions..

GF Series Advantages

- Designed and built to withstand the harshest operating conditions with the toughest impact resistance in the industry.
- Scalping options from standard grizzly bars and perforated plates to custom tines
- Vibration is generated by precision-machines, twin eccentric shafts.
- Fines pass through the grizzlies, relieving the crusher and reducing wear.
- Customizable options and inclinations to meet strict demands, footprints or difficult material characteristics
- Standard pan feeder ranges from 39" x 10' to 86" x 24'.

Cool running bearing temperatures and low shaft speed extend bearing life.

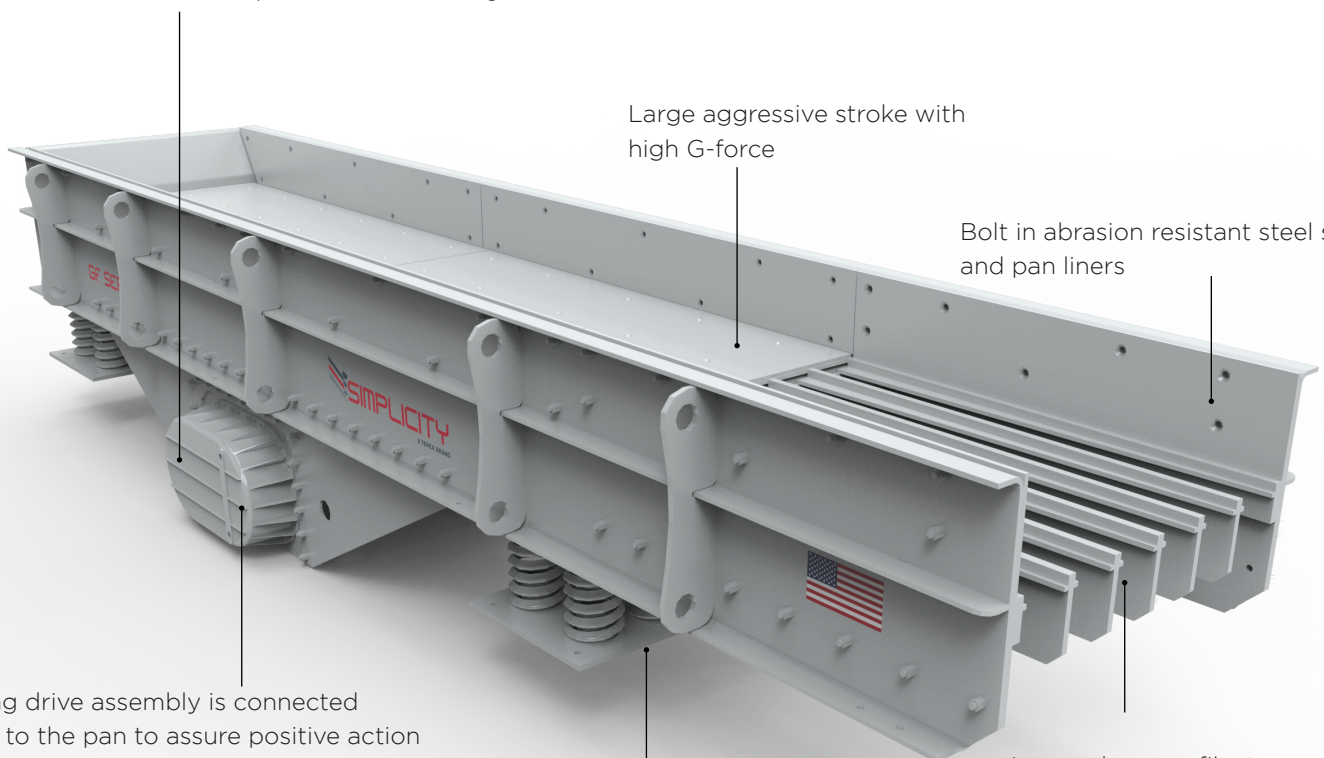
Large aggressive stroke with high G-force

Bolt in abrasion resistant steel side and pan liners

Vibrating drive assembly is connected directly to the pan to assure positive action under the most adverse loading conditions

Heavy coil spring support system

Large, deep profile, tapered grizzly bars provide a wide range of bar spacing and minimizes plugging/blinding



Vibrating Pan Feeder PF Series

The Simplicity® line of heavy-duty pan feeders delivers reliable performance by combining feeding and material handling into a single, rugged unit. Engineered to withstand impact loading and heavy burdens, these feeders are built for the toughest applications in aggregate and mining environments. Each Simplicity® pan feeder can be tailored to your specific requirements, with a wide range of sizes and configuration available from 39" x 10' up to 86" x 24'.

PF Series Advantages:

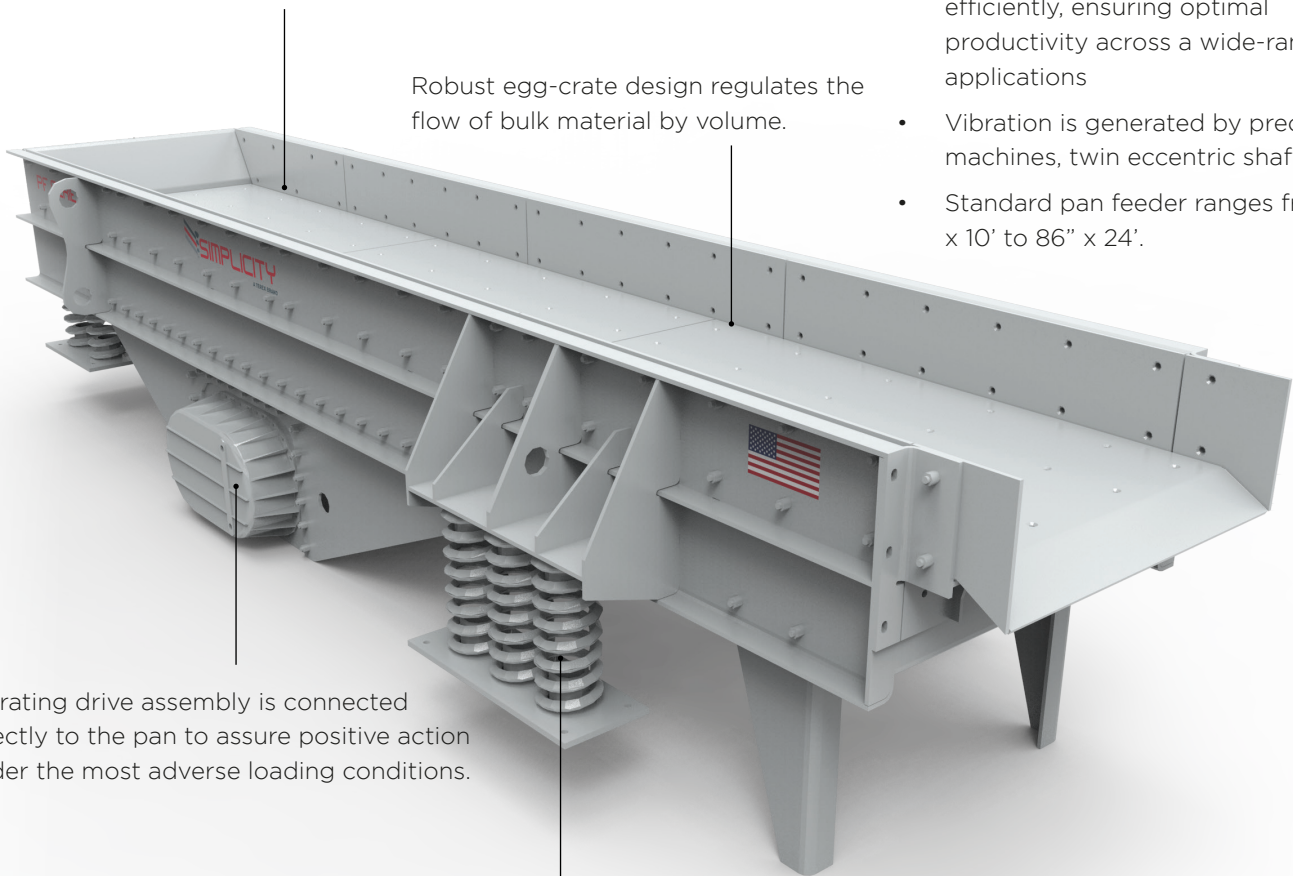
- Designed with many of the same proven features as the Simplicity® GF Series feeders, the Pan Feeders are built to handle the toughest loading conditions in the industry.
- Rugged full-length pan with a robust egg-crate designed to stand up to the harshest feed conditions
- Available in multiple widths and lengths, with custom sizing options to ensure an ideal fit within your plant layout.
- Powerful oscillating shaft mechanism moves material smoothly and efficiently, ensuring optimal productivity across a wide-range of applications
- Vibration is generated by precision-machines, twin eccentric shafts.
- Standard pan feeder ranges from 39" x 10' to 86" x 24'.

Deep-sided durable feeder frame with high strength steel pan weldment, deep tubular supports and deep formed steel side sheets.

Robust egg-crate design regulates the flow of bulk material by volume.

Vibrating drive assembly is connected directly to the pan to assure positive action under the most adverse loading conditions.

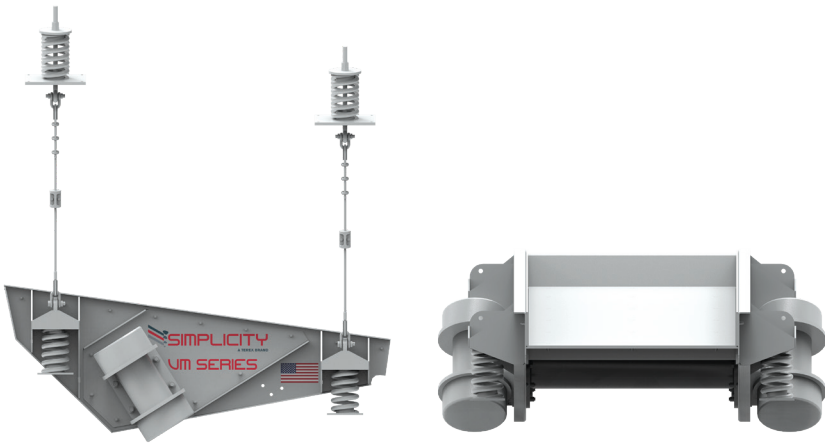
Heavy coil spring support system.



Vibrating Pan Feeder VM Series

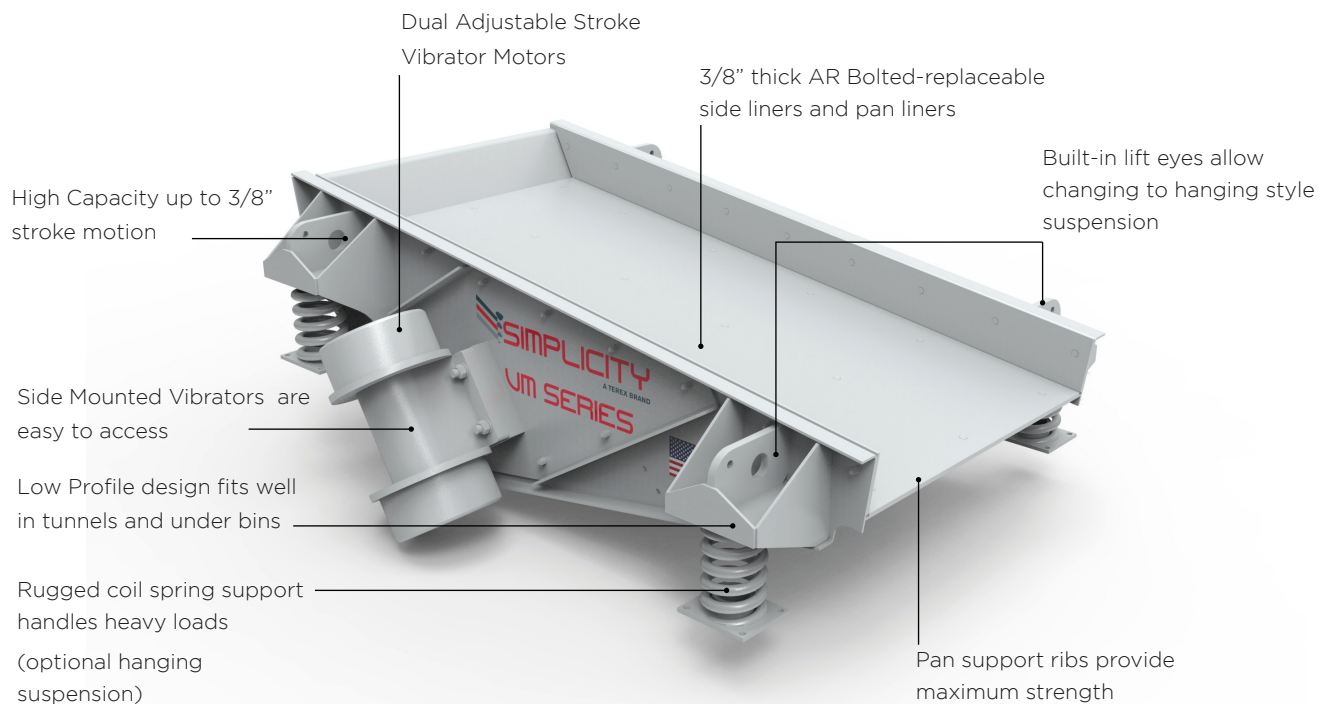
The Simplicity® Low Profile Vibratory Motor Pan Feeders are specifically engineered for continuous operation in the harshest conditions. Designed to deliver durable, reliable, and low-maintenance performance, the Simplicity® VM Series is ideal for demanding applications across mining, aggregates, demolition and recycling, industrial minerals, as well as agriculture and food processing.

Each Simplicity® Vibratory Motor Pan Feeder can be customized to meet your exact application requirements ranging from 24" x 72" to 60" x 120".



VM Series Advantages

- Available in a wide range of standard widths and lengths, with custom-engineered sizes to fit your exact application.
- Replaceable liners extend wear life and reduce long-term operating costs.
- Side-mounted vibratory motors allow for easy stroke adjustments and simplified maintenance access.
- Flexible mounting options include coil spring assemblies or cable-suspended configurations.
- Features an 8-degree standard inclination, with custom angles available to suit your material and process requirements.
- Low-maintenance vibratory motors maximize uptime while extending lubrication intervals.





www.terex.com/simplicity

Simplicity.Marketing@terex.com

Product specifications and prices are subject to change without notice or obligation. The photographs and/or drawings in this document are for illustrative purposes only. Refer to the appropriate Operator's Manual for instructions on the proper use of this equipment.

Failure to follow the appropriate Operator's Manual when using our equipment or failure to act responsibly may result in serious injury or death.

The only warranty applicable to our equipment is the standard written warranty applicable to the particular product and sale, and Terex makes no other warranty, express or implied. Terex, Simplicity, are trademarks of Terex Corporation or its subsidiaries. All rights are reserved. © June 2026.

