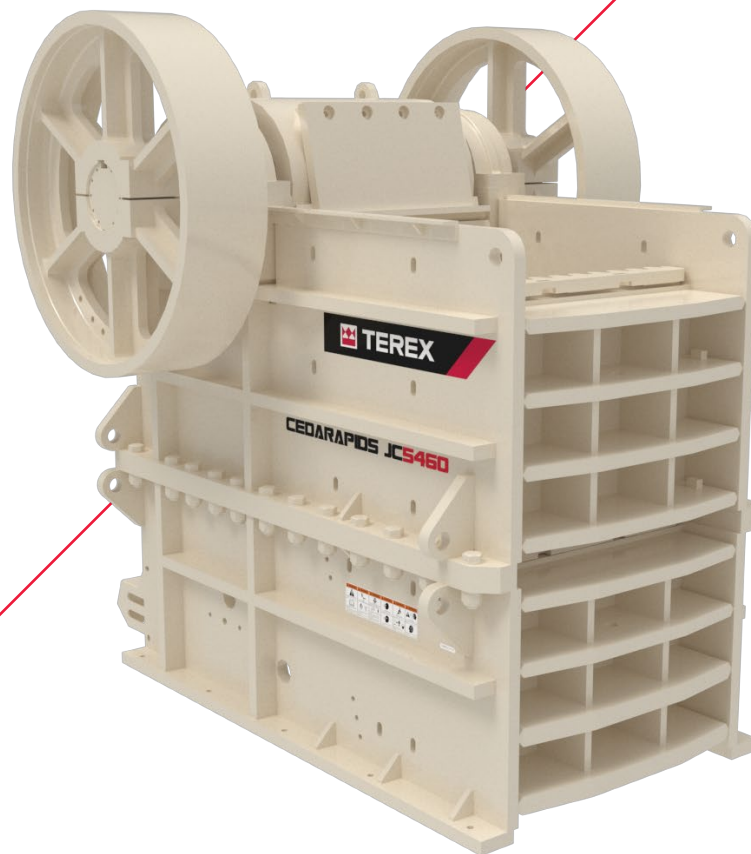


**CEDARAPIDS®**  
A TEREX BRAND

Jaw Crushers

JC Series



# Cedarapids® Static

## JC Series Jaw Crushers

The Cedarapids® line of JC jaw crushers has a proven track record of excellent performance and productivity. Inside and out, the advanced engineering of our jaws sets industry standards with features like the pitman drop-forged 4340 chrome-moly-nickel steel shaft and spherical self-aligning roller bearings. Each machine offers you an array of competitive advantages— from product quality to high throughput capacities to low operational costs.

### Built for Endurance

- Thick steel plate crusher bases eliminate the possibility of flaws often found in cast steel bases
- Submerged-arc welding creates a more solid joint than standard weldments
- Thermal stress relief and shot-blasting produces a solid one-piece unit

### More Efficient Operation

- Spherical, self-aligning roller bearings provide the smoothest low-friction operation possible
- Roller bearings require less power, less maintenance and last longer than plain bearings
- Roller bearings absorb side thrust and heavy radial loads without damage to themselves or the shaft, assuring pitman guidance without thrust shoes or other wear parts

### Lasting Strength

- Cedarapids pitman shafts made of drop forged 4340 chrome-moly-nickel steel withstand extreme temperatures
- Shaft forgings are heat treated to add tensile strength while finish is machined to resist fatigue
- Largest possible diameters are created through a step-cut machining and grinding method for maximum strength

### Operating Time, Not Downtime

- Side bearings are mounted in removable housings for easier maintenance possible in a clean environment to protect bearings from contamination
- Housing location insures rigid support to the bearings and pitman assembly, while eliminating cantilevered load stresses to the base frame

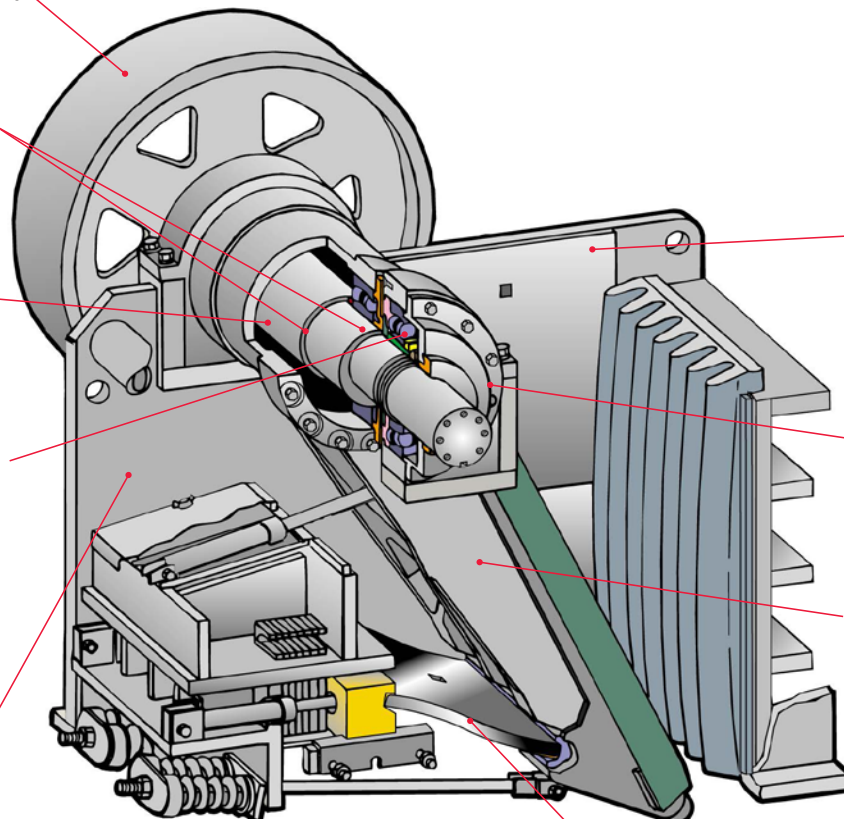
Large diameter heavy split hub flywheels

Compound radii crusher shaft increases fatigue strength

Large diameter drop-forged 4340 steel pitman shaft

Oversized spherical self-aligning roller bearings

Heavy duty submerged arc-welded stress relieved base frame



Beveled key plates and stationary jaw lug engage to prevent side motion and loosening

Removable bearing housings

Solid cast steel pitman

Steep angle toggle plate

## Standard Features

- Fabricated, stress-relieved welded steel base
- Rib-reinforced side plates
- Close-tolerance machining of jaw plate backs and seating surfaces
- Reversible key plates (JC2236)
- Drop-forged, heat-treated, chrome-nickel-steel overhead eccentric shaft
- Rugged cast steel pitman with grease lubrication (circulating oil lubrication system on JC5460)
- Spherical self-aligning roller bearings
- Hydraulic assist bearing removal for both pitman and side bearings (JC5460)
- Hydraulic/shim toggle seat adjustment (discharge opening)
- One smooth and one grooved flywheel
- Split-hub flywheels
- Standard left-hand drive (face tension spring)

## Optional Equipment

- Circulating oil lubrication system with reservoir and low-oil alarm
- Hydraulic toggle for hydraulic adjustment and overload relief
- Feed plate with liners
- V-belt drives

## Specifications

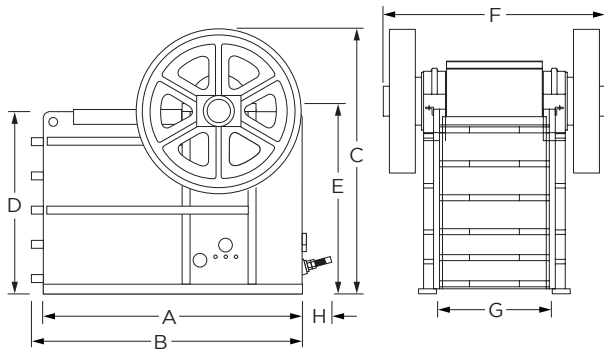
	JC2236	JC5460
Weights	24,903 lbs (11,296 kg)	196,258 lbs (89,023 kg)
Horsepower	90-125 hp (67-93 kW)	350-450 hp (261-335 kW)
RPM	250-300	200
Jaw Opening	22 x 36" (560 x 915 mm)	54 x 60" (1372 x 1524 mm)
Shaft Diameter Side Bearing	6.4375" (164 mm)	18.000" (457 mm)
Shaft Diameter Pitman Bearing	7.875" (200 mm)	19.687" (500 mm)
Standard Grooved Flywheel Diameter	50" (1270 mm)	84" (2134 mm)
Face Standard Flywheel	13" (330 mm)	20" (510 mm)
Stationary Jaw Length	43" (1090 mm)	113" (2870 mm)
Movable Jaw Length	50" (1270 mm)	129" (3277 mm)

## Recommended Openings at Closed Stroke

	JC2236	JC5460
Minimum	2.5" (64 mm)	6" (152 mm)
Maximum	6" (152 mm)	20" (508 mm)



## Dimensions



Model	A	B	C	D	E	F	G	H
JC2236	65" (1650 mm)	-	77" (1955 mm)	48" (1220 mm)	49" (1245 mm)	92" (2335 mm)	43" (1090 mm)	17" (430 mm)
JC5460	149" (3785 mm)	152" (3860 mm)	172" (4370 mm)	127" (3225 mm)	130" (3300 mm)	140" (3555 mm)	67" (1700 mm)	18" (455 mm)

Footnote: Dimensions shown are approximate only and are subject to change. Use only certified installation drawings for construction purposes.

[www.terexmps.com](http://www.terexmps.com)  
[mpsmarketing@terex.com](mailto:mpsmarketing@terex.com)

Product specifications and prices are subject to change without notice or obligation. The photographs and/or drawings in this document are for illustrative purposes only. Refer to the appropriate Operator's Manual for instructions on the proper use of this equipment.

Failure to follow the appropriate Operator's Manual when using our equipment or failure to act responsibly may result in serious injury or death.

The only warranty applicable to our equipment is the standard written warranty applicable to the particular product and sale, and Terex makes no other warranty, express or implied. Terex, the Terex Crown design, Cedarapids, Canica, Simplicity, Jaques, El-Jay and Rollercone are trademarks of Terex Corporation or its subsidiaries. All rights are reserved. © February 2021