

CEDARAPIDS®
A TEREX BRAND

Jaw Crushers

JS Series



Cedarapids® Static

JS Series Jaw Crushers

Cedarapids® jaw crushers have always been known for durable construction, high productivity and a greater value for investment. And the JS Series jaw crushers are built even more rugged and are easier to use. We have taken our jaw crushers to a new level of reliability and convenience.

Featuring a quick-change jaw die system and quick-adjust hydraulic shim system provide more uptime. Combine these features with our well-known durability and you have a crusher that keeps you up and running.

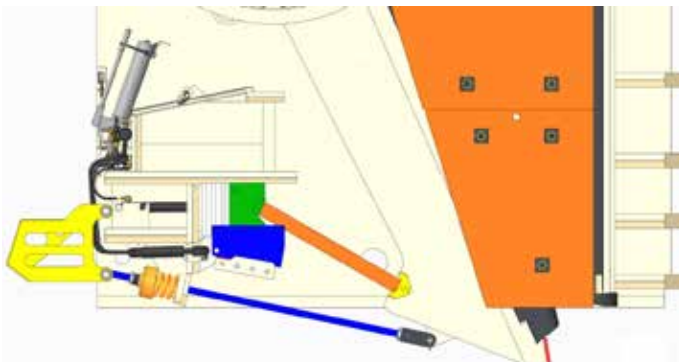
Reliability, quality, capacity, and ease of use—the Cedarapids® JS Series jaw crushers are designed to help you be more profitable. That's what it's all about.

Highlights

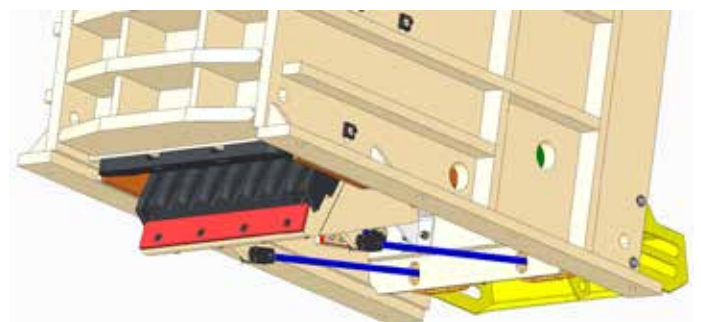
- High strength jaw base; structural grade steel used in base frame for rugged crushing; deep rib depth maintains base stiffness
- Fast and easy stationary jaw die replacement; lift provisions provided in various jaw dies; no welding of a lifting loop required; jaw die wedges are easily accessible from the sides of crusher; no jaw die shimming required; lips removed from the sides of jaw die; jaw die can be replaced without removing cheek plates
- Tool-free closed side setting adjustment; hydraulically tightened and loosened toggle seat wedges
- Hydraulic hand pump conveniently located on crusher to quickly change crusher setting without tools
- Simple cheek plate replacement; no wedging for easy maintenance
- Reduced pitman toe wear; better alignment of jaw dies at small closed side settings; replaceable toe plate (JS4552)
- Drop-forged, heat-treated 4340 steel shaft with compound radii geometry handles tough crushing applications
- Simple, low-maintenance hydraulic assisted shim adjust is built rugged for long, reliable crushing in demanding applications
- Hydraulic toggle option; button operated for fast and easy closed side setting adjustments; provides overload protection by allowing uncrushables to pass through



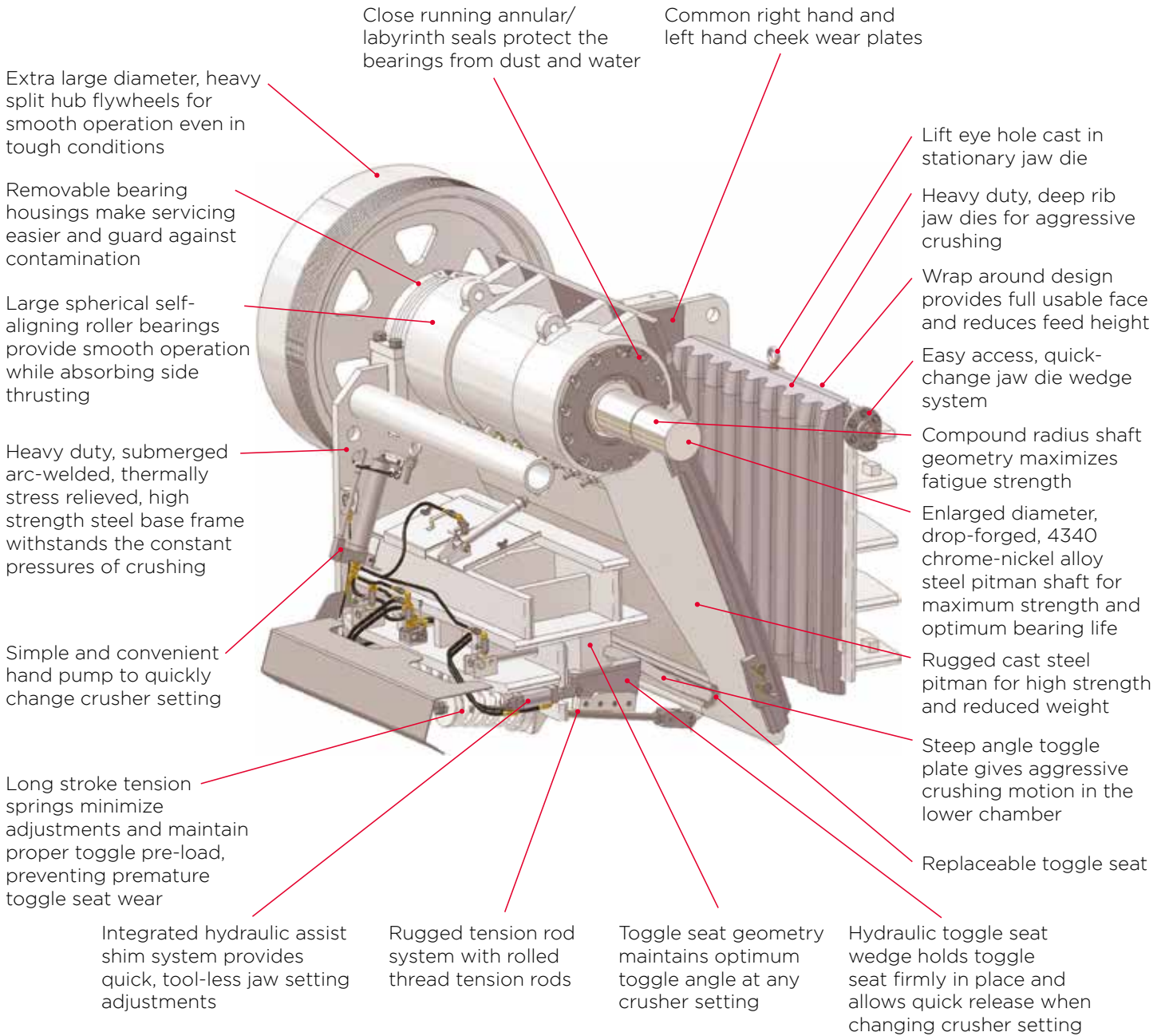
Quick-change jaw die system



Rugged hydraulic assisted shim system



Replaceable toe plate



Standard Features

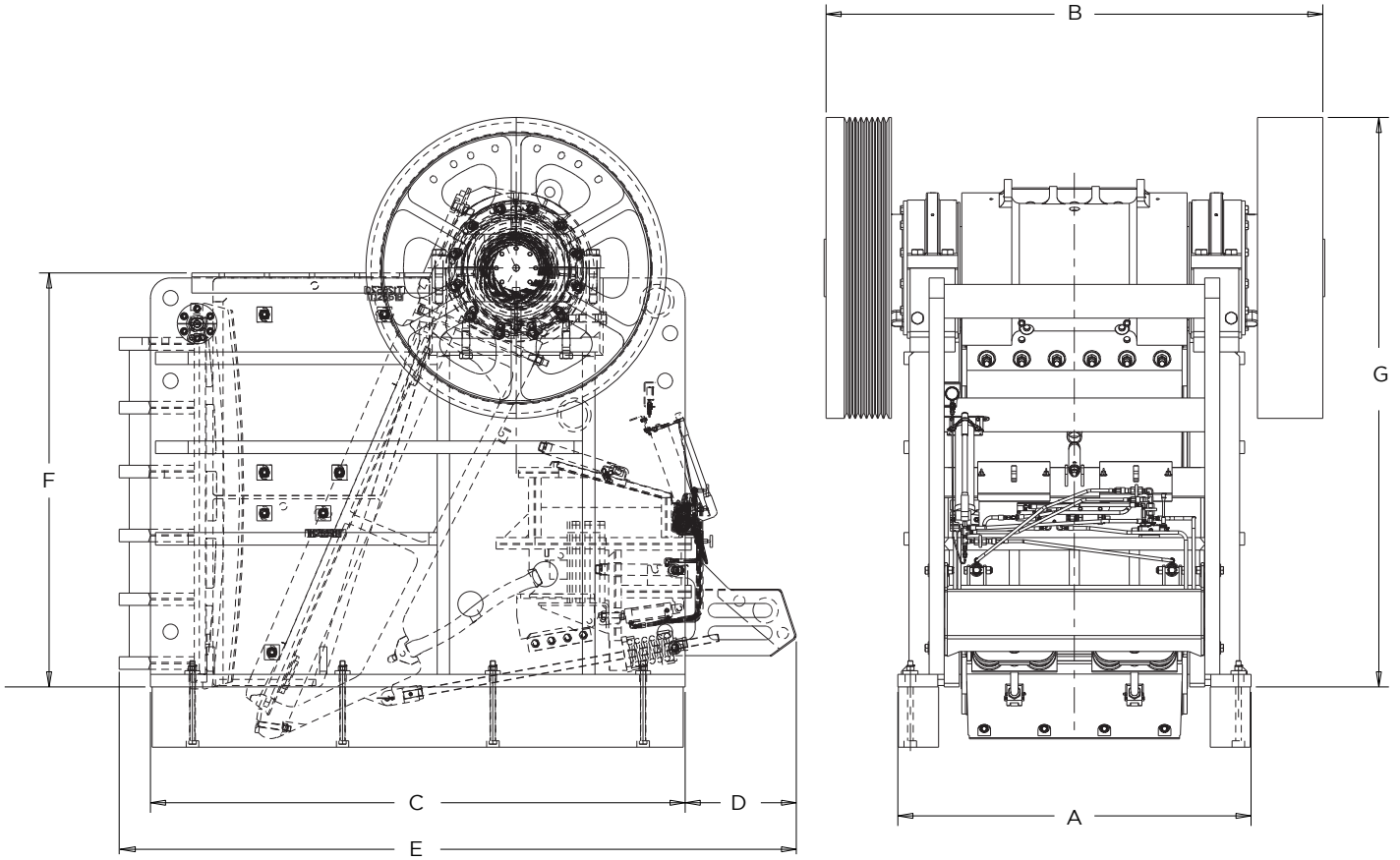
- Easy removal jaw die wedge system
- Quick adjust jaw settings
 - Integrated hydraulic assist shim system
 - Hydraulic release toggle seat
- High strength eccentric shaft
 - Enlarged diameter with compound geometry
 - Drop-forged heat-treated 4340 chrome-nickel-steel
- Aggressive toggle angle
- Large spherical self-aligning roller bearings
- Removable bearing housings
- High strength submerged arc welded stress relieved base frame
- Rugged cast steel pitman with grease lubrication
- Replaceable toe protector (JS4552)
- Long life rugged tension rod system
- Machined face jaw die support faces
- Heavy-duty deep rib jaw dies
- Full height wrap around stationary die
- Lift provisions cast in various jaw dies
- Large diameter split hub flywheels

Optional Equipment

- Hydraulic toggle for hydraulic adjustment and overload relief
- Sloped feed plate with bolt-on replaceable AR400 liner
- V-belt drives



Dimensions & Specifications



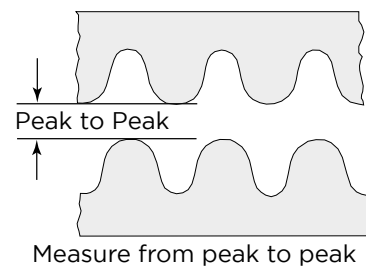
Model	A	B	C	D	E	F	G
JS4552	75.5" (1918 mm)	105.3" (2675 mm)	121" (3073 mm)	19.2" (488 mm)	144.7" (3675 mm)	93.5" (2375 mm)	133" (3378 mm)

Footnote: Dimensions shown are approximate only and are subject to change. Use only certified installation drawings for construction purposes.

Model	Weight	HP	RPM	Jaw Opening	Flywheel Diameter	Flywheel Face	Stationary Jaw Length	Movable Jaw Length
JS4552	104,600 lb (47,446 kg)	250 - 300 (186 - 224 kW)	200 - 275	45" x 52" (1143 x 1321 mm)	73" (1854 mm)	13" (330 mm)	90" (2286 mm)	98" (2489 mm)

Model	Minimum (closed)	Measured* (open)	Maximum (closed)	Measured* (open)
JS4552	4.5" (114 mm)	6" (152 mm)	13" (330 mm)	14.5" (368 mm)

*Measure at rest (open) position. Dimensions and specifications to nearest inch and mm.



Cedarapids® Services

Proven Success, Global Reach

A comprehensive range of services. Original spare and wear parts. Customizable solutions to meet your exact needs. Outstanding technical expertise and support.

This is what Cedarapids® delivers to businesses – and what it delivers to businesses throughout the world via our global distribution network, service and distribution facilities and regional warehouses.

Spare and Wear Part Support

Our OEM parts help maintain and enhance the performance of your equipment – and you can count on us to get you the spare and wear parts you need, when you need them.

Cedarapids® parts are manufactured according to exact specifications, using high-quality materials, tools and techniques. By using genuine parts you are helping to ensure the maximum performance and longevity of your machines.

A Shared Focus


We understand your key focus is delivering your operational and financial goals. We share that focus: it's how we both measure success.

By combining our global service network and proven, in-depth industry knowledge with your operational expertise we're able to provide you with the right solution to deliver a quality end product – with increased productivity.

Field Services

We offer a comprehensive set of field services to meet your maintenance, repair and refurbishment needs – which means you get a cost-effective alternative to purchasing new or replacement equipment.

Our experienced field service and distribution network are available to you on site or at our global service facilities. We can repair broken or damaged equipment to like-new condition and restore worn or irreplaceable equipment to perfect operating condition – which minimizes costly downtime for you.



Combining our global service network and deep industry knowledge with your operational expertise ensures that we provide the best solutions...

Terex® Financial Services

At Cedarapids® we not only offer a strong and broad product portfolio. We also offer the means for customers to purchase the equipment they need in order to meet their operational and profitability goals.

Terex® Financial Services is a globally trusted resource that is able to leverage its knowledge of Terex® equipment plus its marketplace expertise to provide a unique tailored solution for customers.

Terex® Financial Services at a Glance

- Providing cost-effective financial solutions to thousands of customers across the globe
- A comprehensive suite of financial solutions tailored to fit individual needs
- Dedicated and knowledgeable team with global reach, focused on customer solutions.



www.terexmps.com
mpsmarketing@terex.com

Product specifications and prices are subject to change without notice or obligation. The photographs and/or drawings in this document are for illustrative purposes only. Refer to the appropriate Operator's Manual for instructions on the proper use of this equipment.

Failure to follow the appropriate Operator's Manual when using our equipment or failure to act responsibly may result in serious injury or death.

The only warranty applicable to our equipment is the standard written warranty applicable to the particular product and sale, and Terex makes no other warranty, express or implied. Terex, the Terex Crown design, Cedarapids, Canica, Simplicity, Jaques, El-Jay and Rollercone are trademarks of Terex Corporation or its subsidiaries. All rights are reserved. © April 2023

