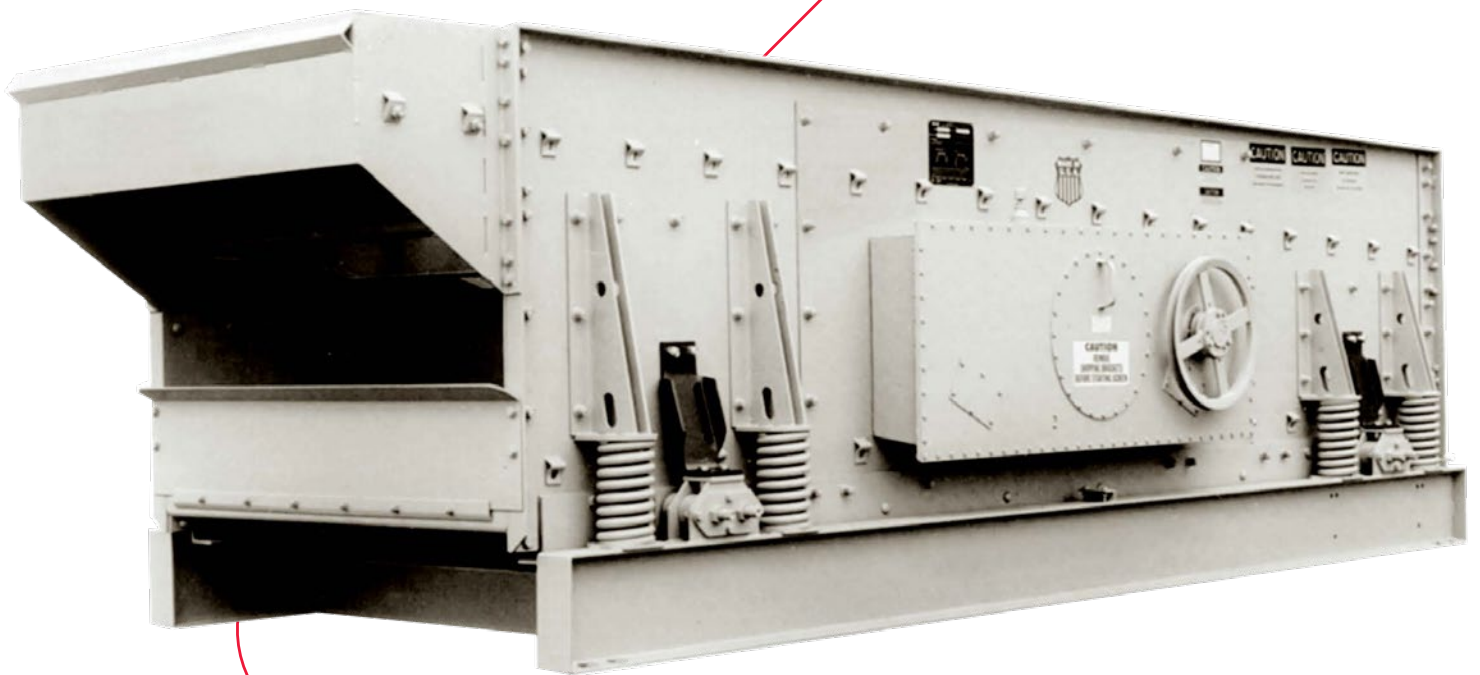


CEDARAPIDS®

A TEREX BRAND

Horizontal Screens

TSH Series
Heavy Duty
Scalping Screens



A world working better™

 **TEREX**® MPS

Cedarapids® Horizontal Screens

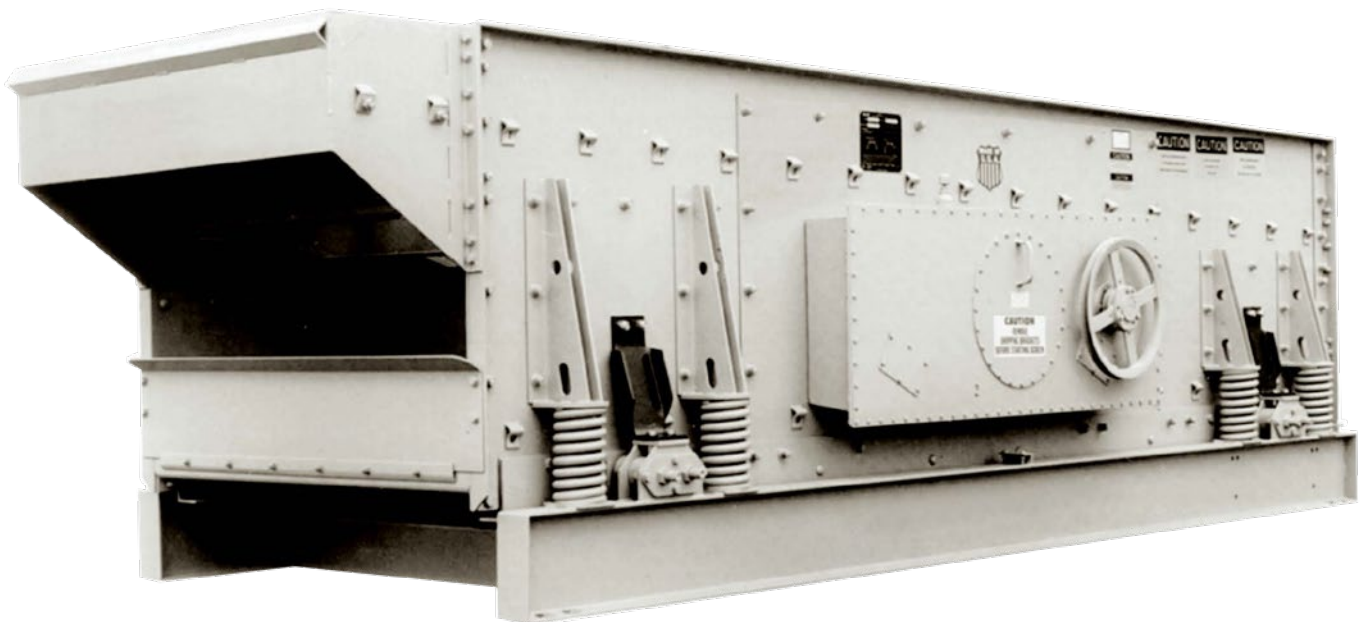
TSH Series Heavy Duty Scalping Screens

The TSH Series heavy duty scalping screens make a case for themselves based on performance alone. But if you want further convincing, just examine the heavy-duty construction. From unique herringbone bracing to triple-wall reinforcements, it proves that Cedarapids builds equipment to endure. And that can help you build your business to succeed.

Scalping screens are available in 5 x 14, 5 x 16 and 6 x 16 two deck units.

Standard Features

- Adjustable oval stroke angle, stroke length and speed
- Self-aligning spherical roller bearings
- Huck-bolted screen box
- High strength tapered steel spindles
- Heavy wall shaft tubes
- Forged alloy crown shaved steel gears
- Splash oil bearing lubrication with temperature control baffles
- Abrasion resistant discharge lip liners
- Laminated steel side plates
- Keyless hub locking assembly
- Single V-belt 1200 rpm drive
- O-ring sealed gear case construction
- Punch plate mounting holes on top deck
- Right-hand drive
- Belt guard
- Adjustable drive sheave
- Spring-loaded belt tension idler
- Rigid I-beam base frame with motor mount
- Bolt-on feed box with replaceable bottom pan
- Coil spring suspension
- Rubber surge snubbers
- Heavy duty wide flange top deck cross members
- Heavy duty angle iron stiffeners at bottom of screen
- Extended life V-belt
- Wire screen cloth bottom deck



Optional Equipment

- 1200 rpm tefc electric motor (HST quarry duty)
- Wedge tensioning for wire cloth
- Rubber spring suspension
- Bolt-on crown sections top deck
- AR deck plate or wire screen cloth top deck
- Left-hand drive

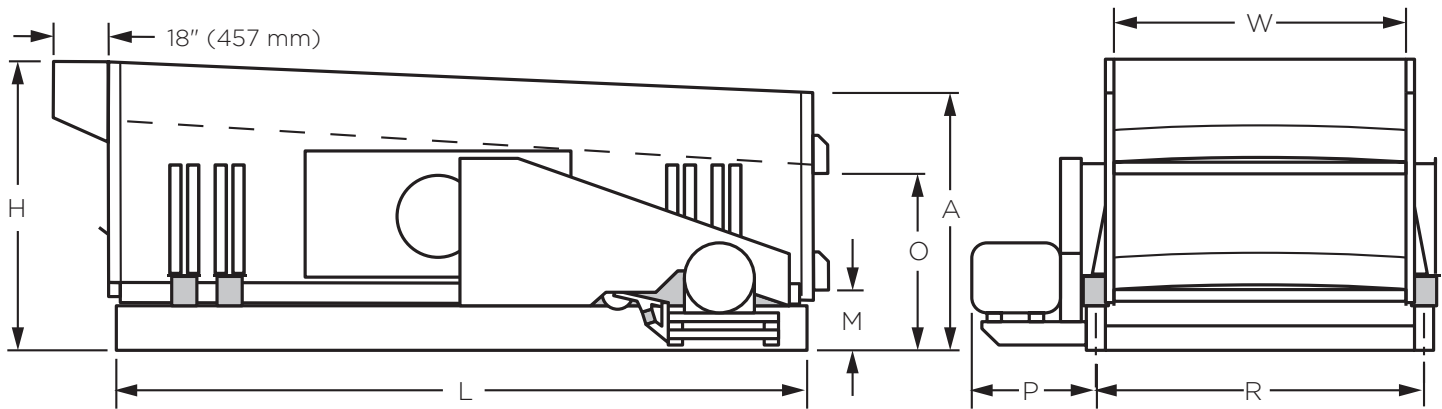
Specifications

Maximum stroke (stroke can be reduced by removing weight plugs)	3/4"	19 mm
Recommended speed range	675 - 875 rpm	
Maximum feed size	18"	457 mm
Maximum top deck opening	5"	127 mm
Maximum drop of feed	24"	610 mm
Cloth support bar thickness	3/8"	10 mm
Side plate thickness	5/16"	8 mm
Reinforcing plate	1/4"	6 mm
Feed pan thickness (AR plate)	3/8"	10 mm
Discharge lip liner thickness (AR plate)	1/4"	6 mm

Bearing size:

TSH5142-26HS	130 mm
TSH5162-32HS	160 mm
TSH6162-38HS	190 mm

Dimensions



Right side drive standard - available with left side drive.

Dimension in inches (mm)

Screen Size	1200 rpm hp (kW)	Basket weight* lbs (kg)	H	L	W	A	M	O	P	R
TSH5142-26HS	25 (19)	14,100 (6,396)	62 3/8 (1584)	164 1/2 (4178)	61 1/2 (1562)	58 3/8 (1483)	15 7/8 (403)	37 7/8 (962)	33 1/4 (845)	71 (1803)
TSH5162-32HS	30 (22)	16,300 (7,394)	65 3/8 (1661)	188 1/2 (4788)	61 1/2 (1562)	61 3/8 (1559)	18 5/8 (473)	40 5/8 (1032)	33 1/4 (845)	71 (1803)
TSH6162-38HS	50 (37)	18,800 (8,528)	76 5/8 (1946)	188 3/4 (4794)	76 (1930)	72 (1829)	20 1/2 (521)	47 5/8 (1210)	33 1/4 (845)	87 (2210)

*Basket weights include base frame, motor mount, belt guard, motor and wire screen cloth.
For installation use only certified engineering drawings.



www.terexmps.com

November 2020. Product specifications and prices are subject to change without notice or obligation. The photographs and/or drawings in this document are for illustrative purposes only. Refer to the appropriate Operator's Manual for instructions on the proper use of this equipment.

Failure to follow the appropriate Operator's Manual when using our equipment or failure to act responsibly may result in serious injury or death.

The only warranty applicable to our equipment is the standard written warranty applicable to the particular product and sale, and Terex makes no other warranty, express or implied. Terex, the Terex Crown design, Cedarapids, Canica, Simplicity, Jaques, El-Jay and Rollercone are trademarks of Terex Corporation or its subsidiaries. All rights are reserved. © 2020

